



SEE SHEET 1 OF 2 FOR CONTINUATION

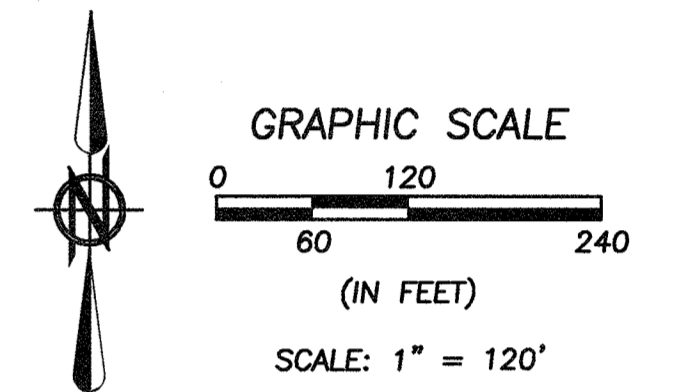
# BOUNDARY SURVEY

for

## LORAIN COUNTY COMMUNITY COLLEGE

SITUATED IN THE CITY OF NORTH RIDGEVILLE, COUNTY OF LORAIN AND STATE OF OHIO AND KNOWN AS BEING PART OF ORIGINAL RIDGEVILLE TOWNSHIP LOT NUMBERS 44 & 45 & SUBLOT 5 IN RUNNING BROOK SUBDIVISION NUMBER ONE AS RECORDED IN VOLUME 30, PAGE 58 OF THE LORAIN COUNTY PLAT RECORDS

**BASIS OF BEARINGS:**  
A PORTION OF THE CORPORATION LINE BETWEEN THE CITY OF ELYRIA AND THE CITY OF NORTH RIDGEVILLE WHICH WAS ASSUMED TO BE NORTH 00° 34' 45" EAST.  
AS SURVEYED IN APRIL OF 2012



### LEGEND OF SYMBOLS

- \* M.N.S. MAGNETIC NAIL SET
- 5/8" IRON REBAR WITH CAP STAMPED "BRAMHALL 8073" SET
- IRON PIN/PIPE FOUND AS INDICATED
- ⊠ MONUMENT BOX FOUND AS INDICATED
- CENTERLINE
- PROPERTY LINE
- R/W RIGHT-OF-WAY LINE
- (R) (REC.) RECORD INFORMATION
- (M) (MEAS.) MEASURED INFORMATION
- (C) (CALC.) CALCULATED INFORMATION
- (D) (DEED) DEED INFORMATION
- (U) (USED) USED INFORMATION
- O.L. ORIGINAL LOT
- D.V. DEED VOLUME
- INST. INSTRUMENT

### REFERENCES USED:

- PLAT OF RUNNING BROOK SUBDIVISION NUMBER ONE AS RECORDED IN VOLUME 30, PAGE 58 OF THE LORAIN COUNTY PLAT RECORDS
- PLAT OF THE MEADOWS NO. 1 AS RECORDED IN VOLUME 11, PAGE 4 OF THE LORAIN COUNTY PLAT RECORDS
- DEEDS FOR SUBJECT AND ADJOINING PROPERTIES
- LORAIN COUNTY AUDITOR'S TAX MAPS
- 20' SANITARY SEWER EASEMENT TO THE CITY OF AVON LAKE AS RECORDED IN INSTRUMENT #20100331460
- C/L SURVEY OF PART OF RIDGEVILLE-LORAIN ROAD, CENTER RIDGE ROAD, CASE ROAD, AND ALL OF BARRIS ROAD PREPARED BY DANE HAPONEK, S-6211 FOR FORD & ASSOC. INC. AND DATED 1-10-80.

DRAWN BY:  
AMK

CHECKED BY:  
BDA, MCB

**BRAMHALL**  
ENGINEERING AND SURVEYING CO., INC.  
801 MOORE ROAD AVON, OHIO 44011  
(440) 934 - 7878 (440) 934 - 7879 FAX

SHEET  
2 OF 2  
JOB NO.  
11-3266

07-00-045-101-038  
LORAIN COUNTY COMMUNITY COLLEGE  
D.V. 1343 P. 209  
(SEE NOTE 2)

205.8538 ACRES (CALC.)  
206.007 ACRES (REC.)

07-00-045-101-035  
LORAIN COUNTY COMMUNITY COLLEGE  
D.V. 1343 P. 209  
(SEE NOTE 2)

07-00-045-101-054  
3M PARKWAY, INC.  
INST. #20010788966

07-00-045-101-009  
3M PARKWAY, INC.  
INST. #20010788967

07-00-045-101-022  
GARY LEE PAINTER  
INST. #20080260092

5/8" IRON PIN w/ CAP  
STAMPED "KROCKA &  
ASSOCIATES" IN MON. BOX  
FND. & USED FOR C/L  
DYKE AVE.

07-00-045-101-010  
DANNY R. & MARION M. PYCRAFT  
D.V. 1427 P. 809

07-00-045-101-011  
DANNY R. & MARION M. PYCRAFT  
D.V. 1427 P. 809

07-00-045-101-013  
KENNETH D. & KATHY A. BLY  
D.V. 1428 P. 275

07-00-045-101-014  
MIRIAM GAY  
INST. #20100350833

07-00-045-101-015  
MIRIAM GAY  
INST. #20050113431

07-00-045-101-036  
MICHAEL S. & LINDA S. SEME  
O.R.V. 1165 P. 14  
399.96' (DEED)

07-00-045-101-016  
RICHARD O. & LINDA S. FOSTER  
O.R.V. 323 P. 664

07-00-045-101-017  
RALPH H. & FRED A. SMITH  
O.R.V. 966 P. 198

07-00-045-101-018  
JOSEPH W. DEEKS  
INST. #20100349614 (PARCEL 2)

07-00-045-101-019  
TERRY M. GARSKY &  
DENISE L. BURGETT  
O.R.V. 315 P. 63

07-00-045-101-020  
SHIRLEY A. PAINTER  
INST. #20080260093

07-00-045-101-021  
FANNIE WALDRON  
INST. #20090294320  
400.00' (R&U)

07-00-045-101-016  
RICHARD O. & LINDA S. FOSTER  
O.R.V. 323 P. 664

07-00-045-101-017  
RALPH H. & FRED A. SMITH  
O.R.V. 966 P. 198

07-00-045-101-018  
JOSEPH W. DEEKS  
INST. #20100349614 (PARCEL 2)

07-00-045-101-019  
TERRY M. GARSKY &  
DENISE L. BURGETT  
O.R.V. 315 P. 63

07-00-045-101-020  
SHIRLEY A. PAINTER  
INST. #20080260093

07-00-045-101-021  
FANNIE WALDRON  
INST. #20090294320  
400.00' (R&U)

07-00-045-101-022  
GARY LEE PAINTER  
INST. #20080260092

