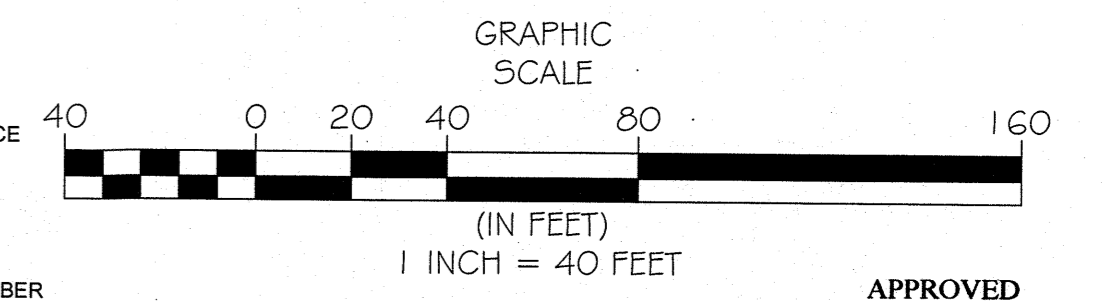


APPROVED
LORAIN CO
MAP DEPT

DATE 11/14/23
 PAGE 04-00-028
 BY WRZ
 93-04750
 51056

BASIS OF BEARINGS
 BEARINGS SHOWN HEREON ARE BASED ON THE OHIO STATE PLANE COORDINATE SYSTEM OF 1983 - NORTH ZONE, 1986 ADJUSTMENT



- SURVEY LEGEND:**
- = PROPERTY CORNER
 - = MONUMENT FOUND
 - ⊙ = 5/8" IRON PIN SET
 - ⊞ = 5/8" IRON PIN SET IN MONUMENT BOX ASSEMBLY
 - ⊠ = SURVEY MONUMENT FOUND IN MONUMENT BOX ASSEMBLY
 - (ACT.) = ACTUAL DISTANCE
 - (CALC.) = CALCULATED DISTANCE
 - (DD) = RECORDED DEED DISTANCE
 - (DOC) = RECORDED DOCUMENT
 - (FD) = FOUND IN FIELD
 - (MEAS) = MEASURED DISTANCE
 - (OBS) = OBSERVED DISTANCE
 - (RP) = RECORDED PLAT
 - (P.P.N.) = PERMANENT PARCEL NUMBER
 - (REC) = RECORD DISTANCE

SURVEYOR CERTIFICATION
 I HEREBY CERTIFY THAT I HAVE SURVEYED THE PREMISES SHOWN HEREON, AND PREPARED THE ATTACHED PLAT IN ACCORDANCE WITH THE PROVISIONS OF CHAPTER 4733-37 OF THE OHIO ADMINISTRATIVE CODE. THE DIMENSIONS SHOWN HEREON ARE IN FEET AND DECIMAL PARTS THEREOF, ALL OF WHICH ARE CORRECT TO THE BEST OF MY KNOWLEDGE AND BELIEF. MONUMENTS AS INDICATED WERE FOUND OR SET AS SHOWN HEREON.

Michael P. Spellacy
 MICHAEL P. SPELLACY P.S. #8169 DATE 10/5/2023

APPROVED PLANNING COMMISSION
 DATE 11-10-23
 AVON, OHIO

Caryn M. ... CHAIRPERSON
Susan Pitz SECRETARY

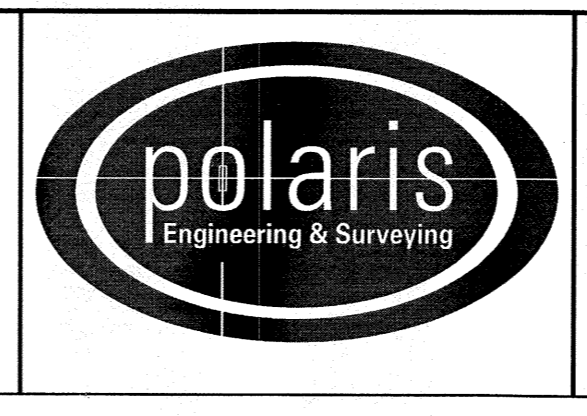
APPROVED / REJECTED
 BY THE CITY ENGINEER OF AVON, OHIO

Ryan E. Cummins
 RYAN E. CUMMINS, P.E., CPSSS
 THE APPROVAL IS FOR GENERAL PLAN & SCOPE ONLY AND DOES NOT RELIEVE THE AUTHORS OF THE DOCUMENTS FROM PROFESSIONAL RESPONSIBILITY FOR ACCURACY OF DESIGN, CONFORMITY TO APPLICABLE ORDINANCES AND ERRORS OR OMISSIONS

REV. No.	DATE	BY	CHKD

DATE: 10/5/2023
 SCALE: HOR. 1" = 40'
 VERT. 1" = 0'
 FOLDER: Dwg/Concept
 FILENAME: Concept Parcels
 TAB: Split Exhibit
 DRAWN: JNG

Lot Split
 Exhibit To Accompany
 Legal Descriptions
 City of Avon - Lorain County - Ohio



POLARIS ENGINEERING & SURVEYING, INC.
 34600 CHARDON ROAD - SUITE D
 WILLOUGHBY HILLS, OHIO 44094
 (440) 944-4433 (440) 944-3722 (Fax)
 www.polans-es.com

Part of Original Avon Township Section 28

CONTRACT No.	
13004	
SHEET	OF
01	01