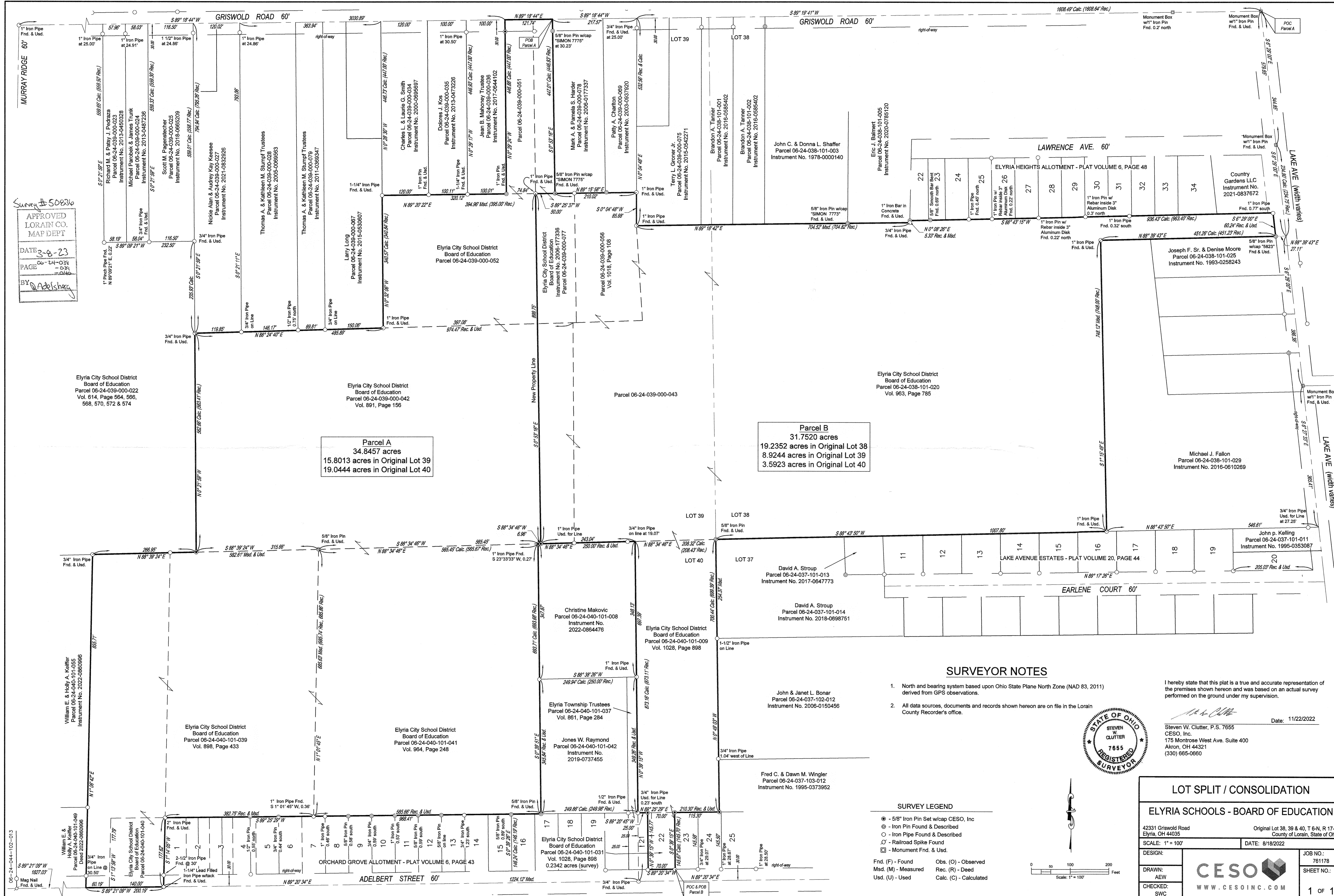


Survey # 50836
 APPROVED
 LORAIN CO.
 MAP DEPT
 DATE 3-8-23
 PAGE 06-24-038-101-005
 BY Adelsberg



Parcel A
 34.8457 acres
 15.8013 acres in Original Lot 39
 19.0444 acres in Original Lot 40

Parcel B
 31.7520 acres
 19.2352 acres in Original Lot 38
 8.9244 acres in Original Lot 39
 3.5923 acres in Original Lot 40

SURVEYOR NOTES

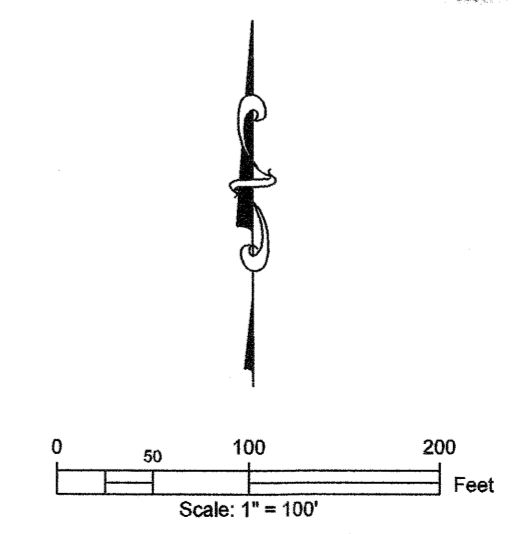
1. North and bearing system based upon Ohio State Plane North Zone (NAD 83, 2011) derived from GPS observations.
2. All data sources, documents and records shown hereon are on file in the Lorain County Recorder's office.

I hereby state that this plat is a true and accurate representation of the premises shown hereon and was based on an actual survey performed on the ground under my supervision.

Date: 11/22/2022
 Steven W. Clutter, P.S. 7655
 CESO, Inc.
 175 Montrose West Ave. Suite 400
 Akron, OH 44321
 (330) 665-0660



- SURVEY LEGEND**
- - 5/8" Iron Pin Set w/cap CESO, Inc
 - ⊙ - Iron Pin Found & Described
 - - Iron Pipe Found & Described
 - ⊕ - Railroad Spike Found
 - ▣ - Monument Fnd. & Usd.
- Fnd. (F) - Found
 Msd. (M) - Measured
 Usd. (U) - Used
- Obs. (O) - Observed
 Rec. (R) - Deed
 Calc. (C) - Calculated



LOT SPLIT / CONSOLIDATION

ELYRIA SCHOOLS - BOARD OF EDUCATION

42331 Griswold Road
 Elyria, OH 44035

Original Lot 38, 39 & 40, T-6-N, R-17-W
 County of Lorain, State of Ohio

SCALE: 1" = 100'
 DATE: 8/18/2022

DESIGN:	AEW	JOB NO.:	761178
DRAWN:	AEW	CHECKED:	SWC
CHECKED:	SWC	WWW.CESOINC.COM	1 OF 1