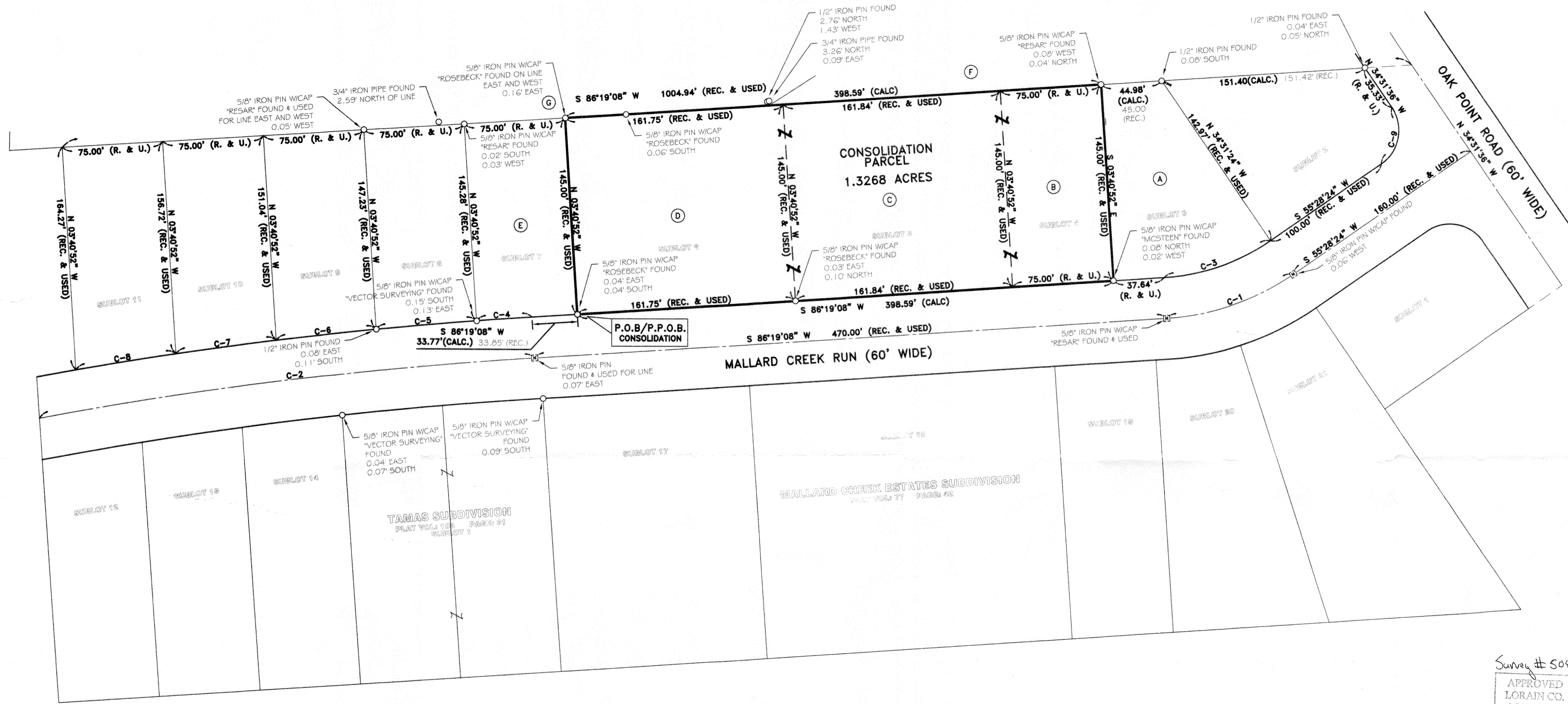


LOT CONSOLIDATION FOR JAMES HERCHLER

SITUATED IN THE CITY OF LORAIN, COUNTY OF LORAIN, STATE OF OHIO, KNOWN AS BEING
PART OF ORIGINAL BLACK RIVER TOWNSHIP LOT No. 4, TRACT 3.



#	CHORD BEARING	ARC RADIUS
C-1	S 70°53'46" W	100.85' (R) 167.32' (R)
C-2	S 82°46'15" W	3000' (R)
C-3	S 70°53'46" W	84.69' (R) 157.32' (R)
C-4	41.23' (C)	41.23' (C) 41.15' (R) 3030' (R)
C-5	S 84°49'47" W	75.03' (R) 3030' (R)
C-6	S 83°24'38" W	75.10' (R) 3030' (R)
C-7	S 81°59'21" W	75.21' (R) 3030' (R)
C-8	S 80°23'56" W	75.36' (R) 3030' (R)
C-9	N 10°28'24" E	47.12' (R) 30' (R)

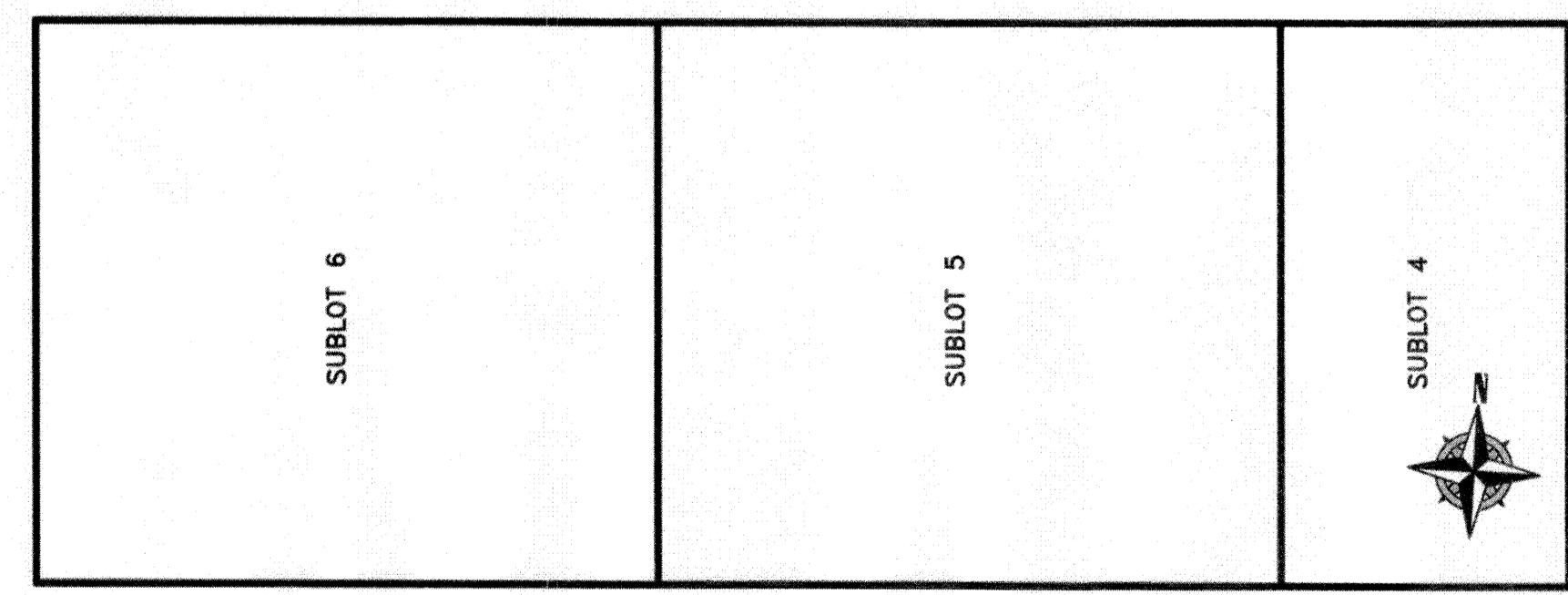
Block	Parcel ID	Owner(s)	Inst #
A	02-03-004-000-169	LAURA E. LORIG	2017-0647026
B	02-05-004-000-170	JAMES M. HERCHLER & LISA M. VELDE	2021-0837806
C	02-03-004-000-171	JAMES M. HERCHLER & LISA M. VANDE VELDE	2019-0733898
D	02-03-004-000-172	JAMES M. HERCHLER & LISA M. VELDE	2021-0837807
E	02-03-004-000-173	JUSTINE NICOLE KARASON & ZACHARY A. KARASON	2019-0714932
F	02-03-004-000-003	KENNETH T. LENGVEL	2016-0573139
G	02-03-004-000-191	KAREN M. KRUIKE	2016-0573140

CITY OF LORAIN ZONING APPROVAL

Sign: *[Signature]* Date: 12/22/22

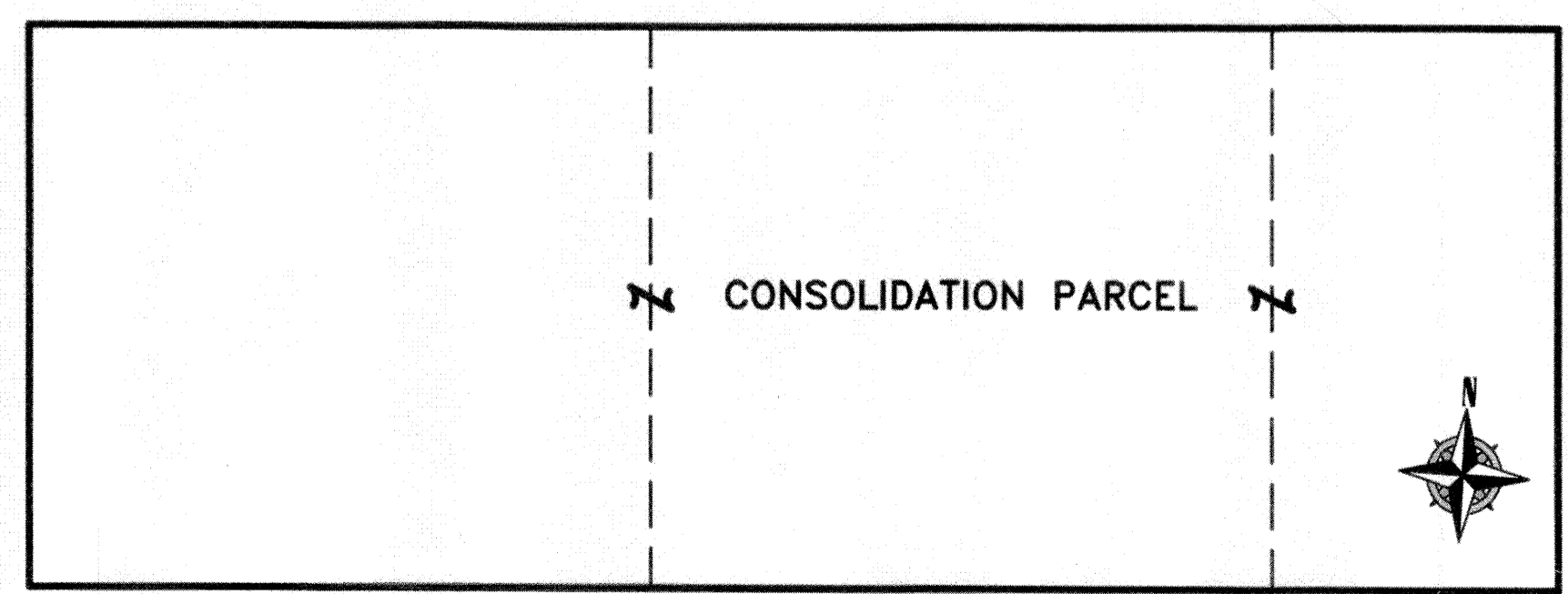


APPROVED AS TO DESCRIPTION ONLY
Date: 12/22/22
Per: *[Signature]*
Engineering Dept.



PRE-CONSOLIDATION PARCEL SUMMARY

-NOT TO SCALE-



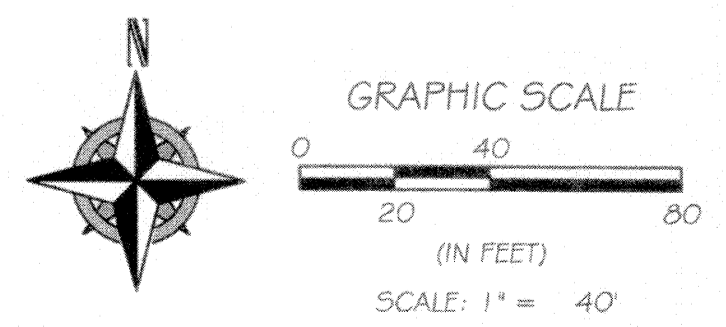
POST-CONSOLIDATION PARCEL SUMMARY

-NOT TO SCALE-

Survey # 50605
APPROVED
LORAIN CO. MAP DEPT
DATE 2-13-23
PAGE 02-03-004
BY: *[Signature]*

02-03-004-000-170
-171
-172

LEGEND:
○ IRON PIN/PIPE FOUND AS NOTED
□ MONUMENT BOX FOUND AS NOTED



REV.	BY	DATE	DESCRIPTION
1	JSR	01-29-2020	PRELIMINARY
2	JSR	02-13-2020	ISSUE TO CLIENT
3	JSR	11-23-2022	CHANGE FORMAT TO LOT CONSOLIDATION

BASIS OF BEARINGS
BASIS OF BEARING IS A PORTION THE CENTERLINE OF MALLARD CREEK RUN WHICH IS ASSUMED TO BE S 86°19'08" W AND IS USED TO DESCRIBE ANGLES ONLY.
THIS PLAN IS BASED UPON A FIELD SURVEY PERFORMED BY RAFTER A., LTD IN JANUARY AND FEBRUARY OF 2020 AND NOVEMBER OF 2022.

REFERENCES USED
• SUBJECT & ADJACENT PARCEL RECORDINGS AS LISTED HEREON
• LORAIN COUNTY TAX MAPS
• PLAT OF SURVEY PREPARED BY J. A. R., ENGINEERING AND SURVEYING, MARCH, 2004 FOR JUDITH A. LENGVEL

LOT CONSOLIDATION
SITUATED IN THE CITY OF LORAIN, COUNTY OF LORAIN, STATE OF OHIO, KNOWN AS BEING PART OF ORIGINAL BLACK RIVER TOWNSHIP LOT No. 4, TRACT 3.
DRAWN BY: JSR
JOB No: 1189A-19

RAFTER A, LTD
LAND SURVEYING • ENGINEERING • TESTING
42653 Oberlin-Elyria Road, Oberlin, Ohio 44074
440-707-4014 • www.raftera.com • info@raftera.com
CHECKED BY: JAD
SHEET 1 of 1