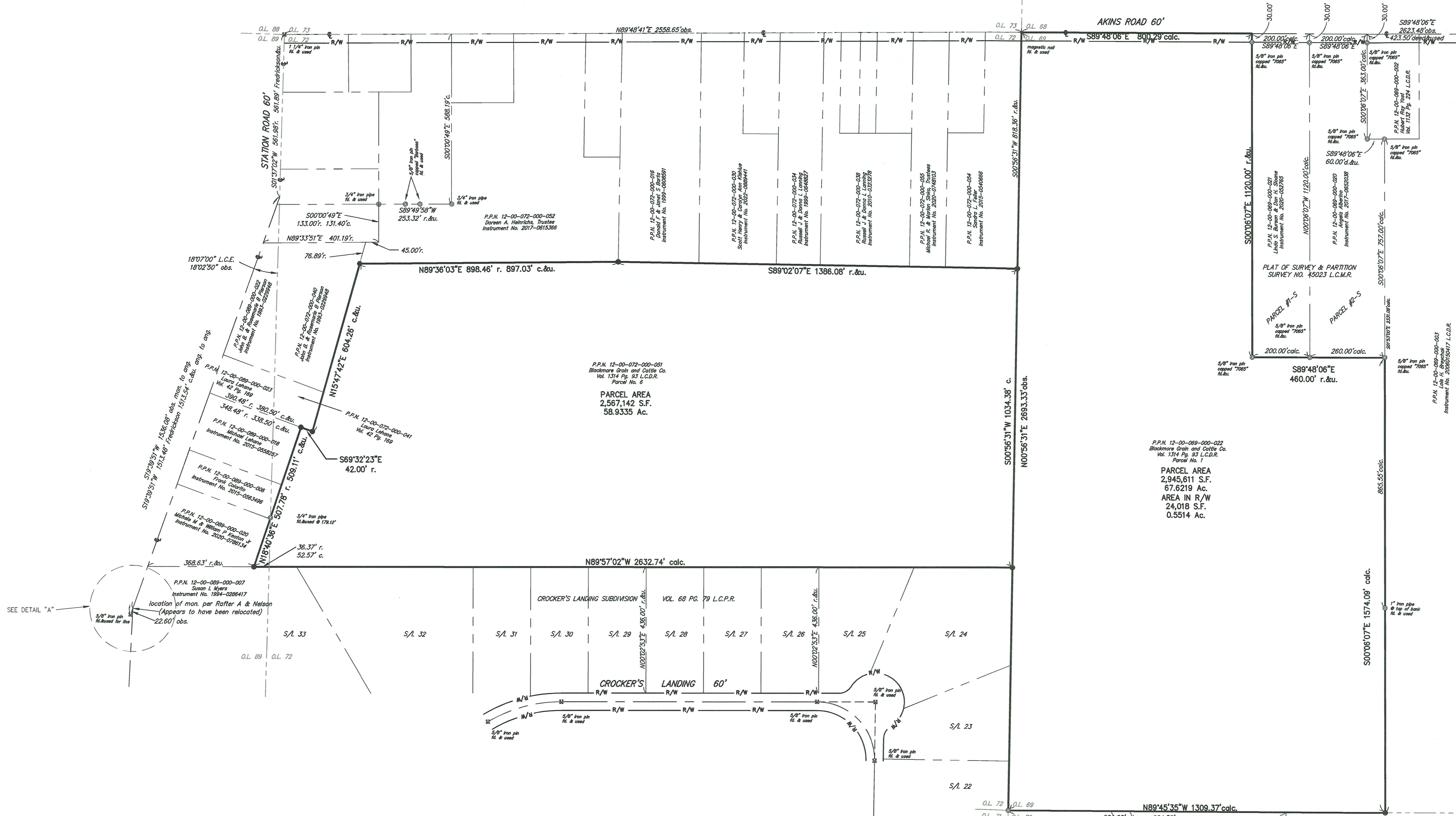
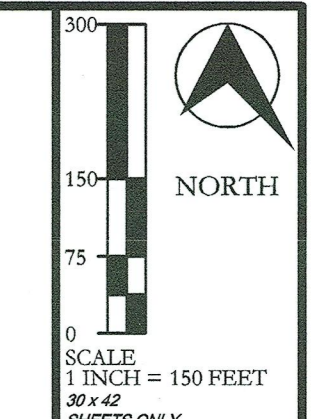


MAP OF SURVEY FOR BLACKMORE GRAIN & CATTLE CO.

SITUATED IN THE TOWNSHIP OF COLUMBIA, COUNTY OF LORAIN,
STATE OF OHIO AND KNOWN AS BEING PART OF ORIGINAL
COLUMBIA TOWNSHIP LOT NO. 69, 72 & 89.



NOTE:
THIS SURVEY WAS MADE WITHOUT THE BENEFIT OF A TITLE RESEARCH REPORT.

SURVEY CERTIFICATION
DISTANCES SHOWN HEREON ARE GIVEN IN FEET AND DECIMAL PARTS THEREOF. THE BASIS OF BEARINGS FOR THIS SURVEY IS GRID NORTH OF THE NAD 83 (CORSS96), OHIO STATE PLANE, NORTH ZONE (3401) AS ESTABLISHED BY GPS OBSERVATIONS AND THE BEARINGS SHOWN HEREON ARE USED TO DENOTE ANGLES ONLY.

THIS SURVEY ON WHICH IT IS BASED WAS PREPARED IN ACCORDANCE WITH AND SATISFY THE MINIMUM STANDARDS FOR BOUNDARY SURVEYS IN THE STATE OF OHIO, AS CODIFIED IN CHAPTER 4733-37 OF THE OHIO ADMINISTRATIVE CODE IN EFFECT AT THE TIME.

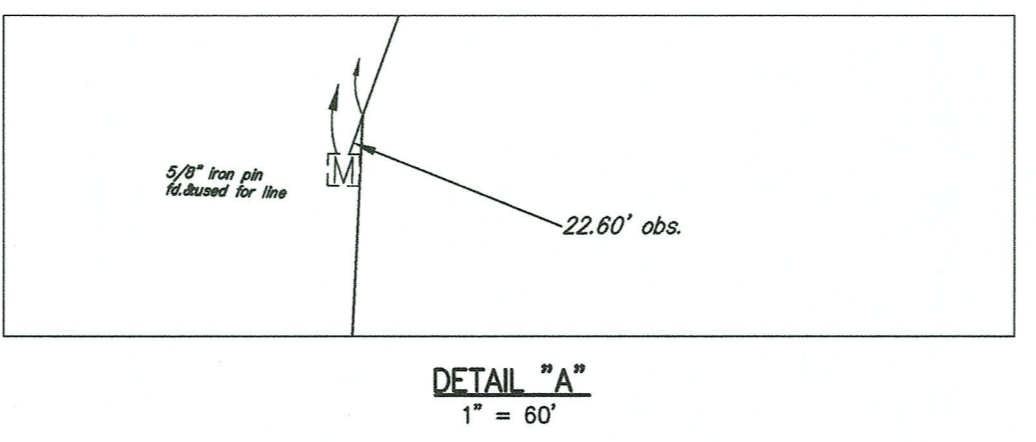
I HEREBY STATE TO THE BEST OF MY PROFESSIONAL KNOWLEDGE, INFORMATION AND BELIEF, ALL TO BE CORRECT. ADDITIONAL FIELD WORK PERFORMED October, 2022.

Steven W. Metcalf
STEVEN W. METCALF
REGISTERED SURVEYOR NO. 8622-0HIO

10/26/2022
DATE

Pertinent Documents and Sources of Data Used:

- Deeds:
Volume 1314 Page 93 L.C.D.R.
- Surveys:
Survey #26000
Survey #26005
Survey #26006
Survey #26007
Survey #31000
Survey #38780
Survey #43180
Survey #44534
Survey #45023
- Recorded Plats:
Crocker's Landing Subdivision
Vol. 68 Pg. 79
Rolling Brook Subdivision
Vol. 73 Pg. 35
- Lorain County Engineer Plans:
LOR-CR 61-0-00 Station Road



ABBREVIATIONS

c. calc. calculated
L.C.D.R. Lorain County Deed Record
L.C.P.R. Lorain County Plat Record
d. deed
fd. found
Instr. No. instrument Number
mon. monument
o. obs. observed
O.R. Official Record
Pg. Page
P.P.N. Permanent Parcel Number
r. rec. record
s. used
Vol. Volume

LEGEND

● Indicates 5/8"x30" iron pin (Neff & Assoc.-8622) set

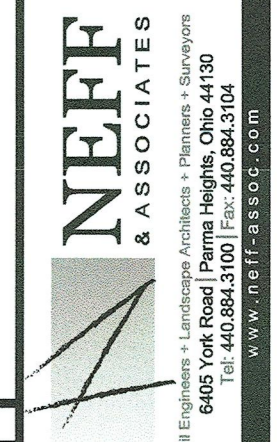
⊗ Indicates iron pin found (see notes at each location)

50728
APPROVED
LORAIN CO.
MAP DEPT

DATE 10/26/22
PAGE 12-00-069
BY A. Gorden
#22-04967-A

REV NO	DATE	DESCRIPTION	
10-26-22		Parcel Acreage Correction	
10-11-22		Submit to Client	
		DESCRIPTION	
DWG NAME	DRAWN BY	CHECKED BY	JOB NO
13328B-E	CWC	SJM	13328B

FETCHET - AKINS ROAD
 MAP OF SURVEY
 TOWNSHIP OF COLUMBIA, COUNTY OF LORAIN, STATE OF OHIO



SHEET NO.
1 OF 1