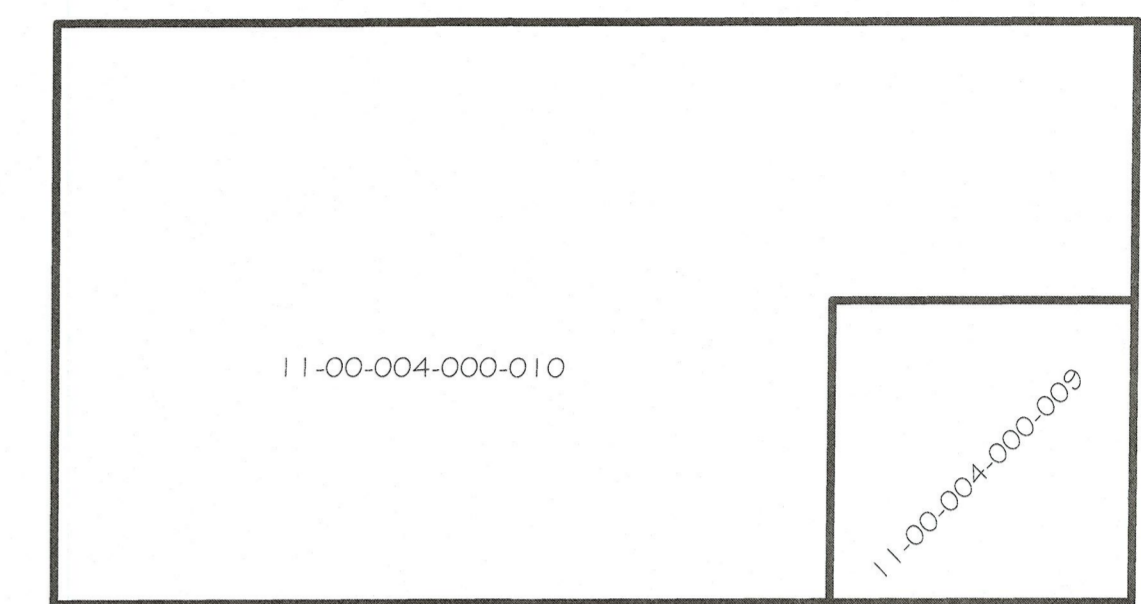
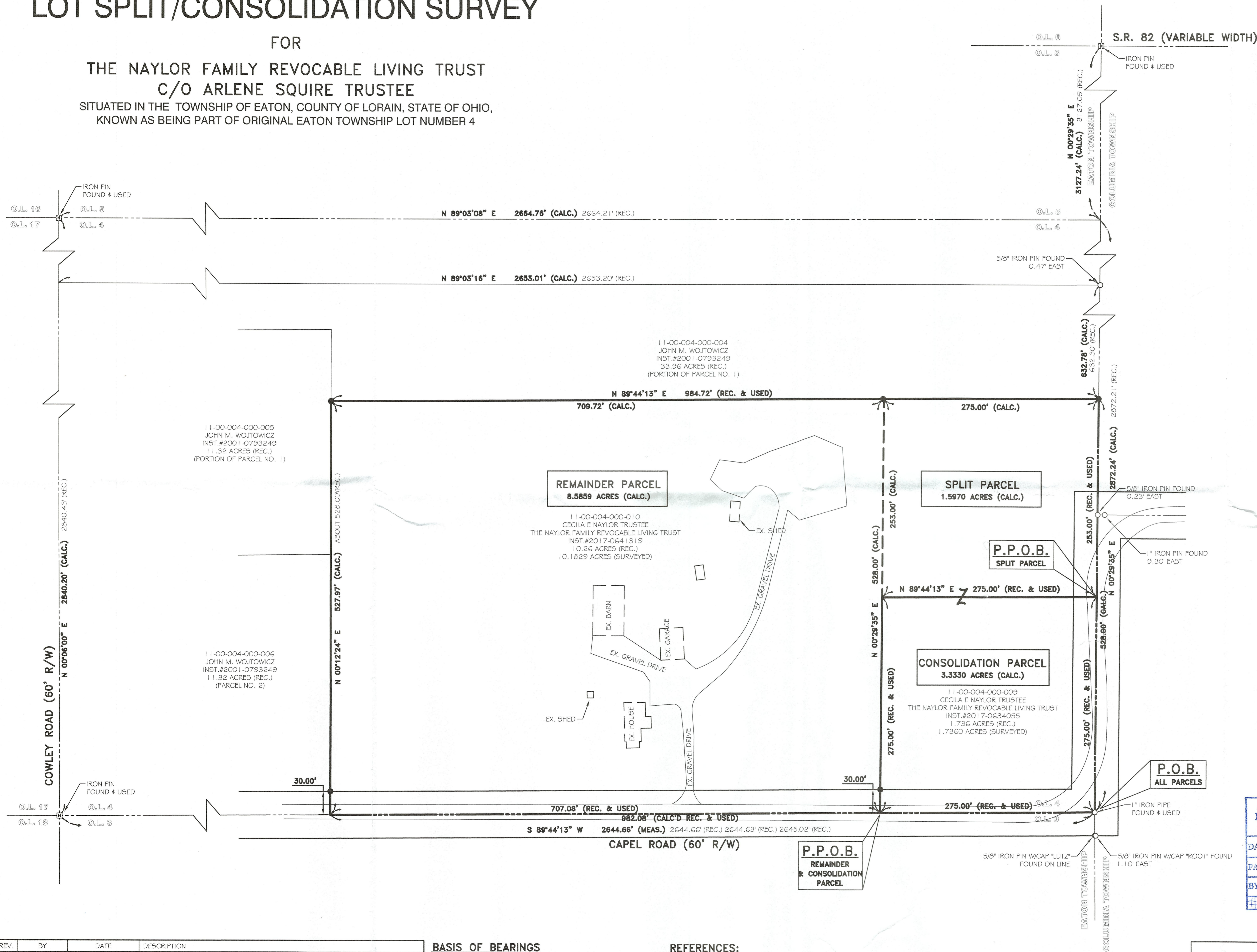


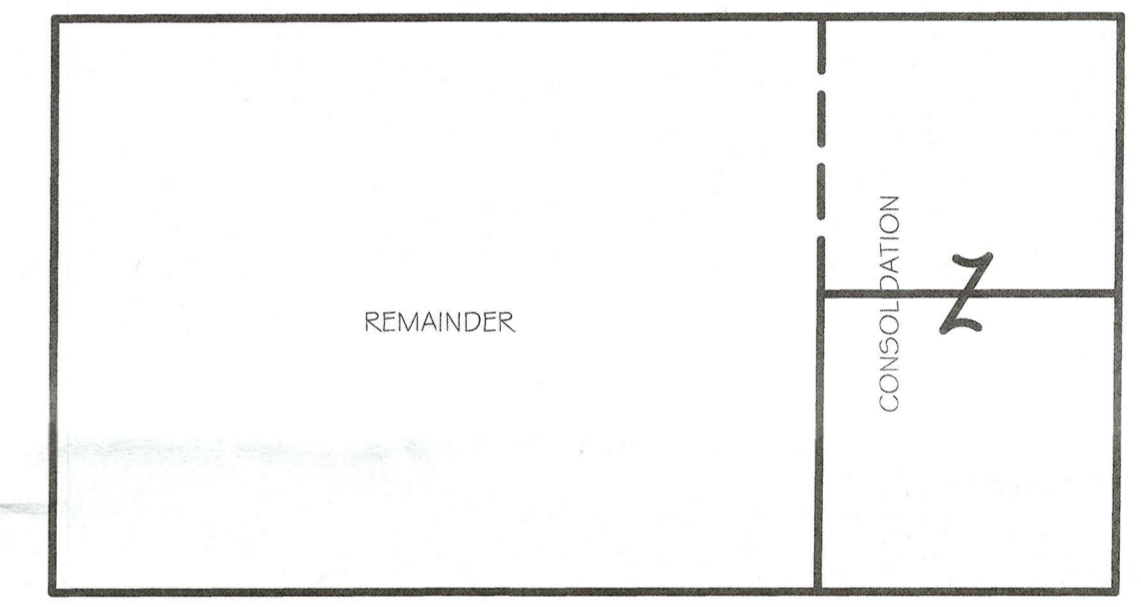
LOT SPLIT/CONSOLIDATION SURVEY

FOR
THE NAYLOR FAMILY REVOCABLE LIVING TRUST
C/O ARLENE SQUIRE TRUSTEE

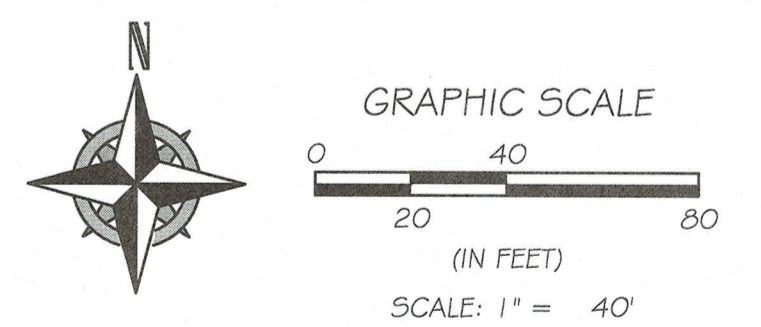
SITUATED IN THE TOWNSHIP OF EATON, COUNTY OF LORAIN, STATE OF OHIO,
KNOWN AS BEING PART OF ORIGINAL EATON TOWNSHIP LOT NUMBER 4



PRE-SPLIT PARCEL SUMMARY
-NOT TO SCALE-



POST-SPLIT/CONSOLIDATION PARCEL SUMMARY
-NOT TO SCALE-



- LEGEND:**
- IRON PIN/PIPE FOUND AS NOTED
 - 5/8" REBAR SET WITH YELLOW CAP STAMPED 'RAFTER A, LTD CORNER PIN' OR GREEN CAP STAMPED 'RAFTER A, LTD LINE PIN'
 - ⊞ MONUMENT BOX FOUND WITH IRON PIN/PIPE FOUND AS NOTED
 - M.N.F.: MAGNETIC NAIL/SPIKE FOUND
 - M.N.S.: MAGNETIC NAIL/SPIKE SET
 - P.L. PROPERTY LINE
 - C/L CENTERLINE
 - R/W RIGHT-OF-WAY

50702
APPROVED
LORAIN CO.
MAP DEPT
DATE 10/4/22
PAGE 11-00-004-008
BY A. Carden
#33-01564

REV.	BY	DATE	DESCRIPTION
1	JSR	06-03-2022	ISSUE TO CLIENT
2	JSR	09-07-2022	UPDATED REMAINDER LOT ORIENTATION

BASIS OF BEARINGS
BASIS OF BEARING IS ASSUMED AND IS USED TO DESCRIBE ANGLES ONLY. A PORTION OF THE CENTERLINE OF CAPEL ROAD AND IS ASSUMED TO BE SOUTH 89°44'13" WEST AS SHOWN HEREON.

THIS SURVEY IS BASED UPON A FIELD SURVEY PERFORMED BY RAFTER A., LTD IN MAY AND JUNE OF 2022.

- REFERENCES:**
- SUBJECT & ADJACENT PARCEL RECORDINGS AS LISTED HEREON
 - LORAIN COUNTY TAX MAPS (CURRENT AND 1962 MAPS)
 - LOT SPLIT SURVEY FOR JOSEPH RUSSO, BY JAMES ROOT P.S. 5045, DATED JANUARY 07, 2005
 - PLAT OF SURVEY SURVEY FOR JACK V. ANGLE, BY ZWICK ASSOCIATES, INC., DATED AUGUST 1990
 - LOT SPLIT SURVEY FOR CLAYTON HOMES, BY BARBOSA AND ASSOCIATES LLC, DATED NOVEMBER 03, 2020
 - LOT SPLIT SURVEY FOR MATTHEW PATTON, BY BARBOSA AND ASSOCIATES LLC, DATED MAY 03, 2018

LOT SPLIT/CONSOLIDATION SURVEY
SITUATED IN THE TOWNSHIP OF EATON, COUNTY OF LORAIN, STATE OF OHIO, KNOWN AS BEING PART OF ORIGINAL EATON TOWNSHIP LOT NUMBER 4.

ARLENE SQUIRE
1399 INDIAN HOLLOW ROAD
GRAFTON, OHIO 44044

RAFTER A, LTD
LAND SURVEYING • ENGINEERING • TESTING
440-707-4014 • www.raftera.com • info@raftera.com
DRAWN BY: JSR CHECKED BY: BDA
JOB No: 2870-21 SHEET 1 of 1