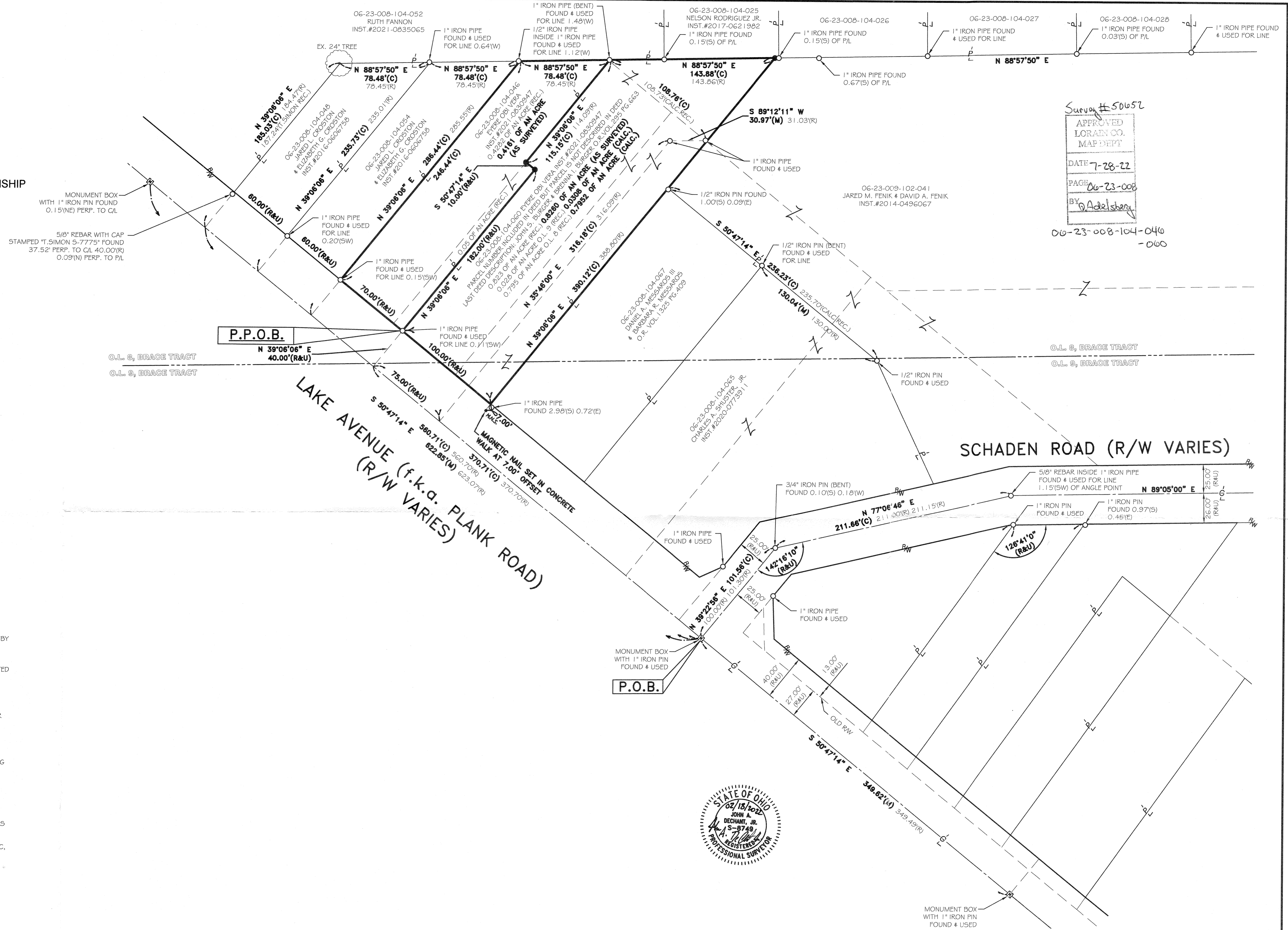


BOUNDARY SURVEY

FOR
EYERE OBI VERA
 SITUATED IN THE TOWNSHIP OF ELYRIA,
 COUNTY OF LORAIN, STATE OF OHIO,
 KNOWN AS BEING PART OF ORIGINAL ELYRIA TOWNSHIP
 LOT NUMBER 8 & 9, BRACE TRACT



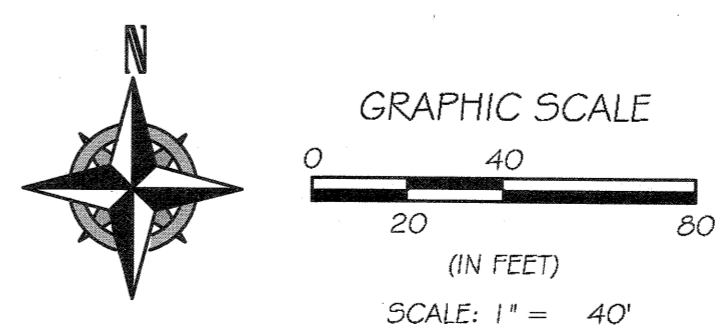
Survey # 50657
 APPROVED
 LORAIN CO.
 MAP DEPT
 DATE 7-28-22
 PAGE 06-23-008
 BY J. Adelsberg
 06-23-008-104-040
 -060

- LEGEND:**
- IRON PIN/PIPE FOUND AS NOTED
 - 5/8" REBAR SET WITH YELLOW CAP STAMPED "RAFTER A, LTD CORNER PIN" OR GREEN CAP STAMPED "RAFTER A, LTD LINE PIN"
 - ☒ MONUMENT BOX FOUND WITH IRON PIN/PIPE FOUND AS NOTED
 - MNF: MAGNETIC NAIL/SPIKE FOUND
 - MNS: MAGNETIC NAIL/SPIKE SET
 - RAILROAD SPIKE FOUND
 - PL PROPERTY LINE
 - CL CENTERLINE
 - R/W RIGHT-OF-WAY

- REFERENCES**
- SUBJECT & ADJACENT PARCEL RECORDINGS AS LISTED HEREON
 - LORAIN COUNTY TAX MAPS (CURRENT AND 1962 MAPS)
 - CENTERLINE SURVEY PLAT AND RIGHT OF WAY PLANS OF LAKE AVENUE, PREPARED BY THE LORAIN COUNTY ENGINEER, DATED APRIL 27, 1979.
 - MAP OF SURVEY PREPARED FOR MARY BUCHOLZ BY T.L. GIBSON C.E., DATED FEBRUARY 19, 1914.
 - PLAT OF SURVEY PREPARED BY C.T. BIGGS FOR MRS. SOPHRONIA REISINGER, DATED NOVEMBER 21, 1952.
 - PLAT OF SURVEY PREPARED BY ARNOLD KOEPP, MAP OF PART OF O.L. 9 BRACE TRACT, ELYRIA TWP.
 - SURVEY OF PART OF O.L. 9, BRACE TRACT PREPARED FOR RICHARD A. MILLER BY D.D. ANDRUS & ASSOC. REGISTERED SURVEYORS, DATED APRIL 18, 1967.
 - MAP OF SURVEY FOR FERN E. SCHABER-MURIEL KINDIG AND HAZEL M. REISINGER PREPARED BY C.E. PENFOUND P.S. 3200, DATED SEPTEMBER 4, 1970.
 - PLAT OF SURVEYS PREPARED FOR WILLARD H. & IRENE H. HAMMOND BY GARY E. PENFOUND P.S. 4457, DATED OCTOBER 1970.
 - SURVEY OF PARCEL SPLIT FOR DANIEL MESSARES PREPARED BY JOHN POZYWAK P.S. 5292, DATED JUNE 9, 1996.
 - ALTAACSM SURVEY OF 6604 LAKE AVE. PREPARED BY NORTH COAST ENGINEERING AND SURVEYING CO. INC. DATED SEPTEMBER 21, 2000.
 - BOUNDARY SURVEY MAP PREPARED FOR NATIONSTAR MORTGAGE LLC BY DALE R. HAYWOOD P.S. 6284 OF HAYWOOD CIVIL ENGINEERING & LAND SURVEYING, INC., DATED JUNE 3, 2015.
 - LOT-SPLIT & CONSOLIDATION SURVEY PREPARED FOR KAREN ENNES BY JOSHUA S. RIEDY P.S. 8700 OF RAFTER A LTD LAND SURVEYING & ENGINEERING, DATED OCTOBER 18, 2019.
 - PLAT OF BOUNDARY SURVEY FOR EUGENE C. FANNON, ETAL. PREPARED BY THOMAS SIMON & ASSOCIATES, INC. THOMAS A SIMON P.S. 7775, DATED MAY 2021.
 - BOUNDARY SURVEY OF PARCEL 06-23-009-102-063 PREPARED FOR PINA MILANOVIC BY WILFREDO BARBOSA P.S. 8301 OF BARBOSA AND ASSOCIATES LLC, DATED SEPTEMBER 11, 2021.

BASIS OF BEARINGS
 BASIS OF BEARING IS ASSUMED AND IS USED TO DESCRIBE ANGLES ONLY. A PORTION OF THE CENTERLINE OF LAKE AVENUE AND IS ASSUMED TO BE SOUTH 50° 47' 14" EAST AS SHOWN HEREON.
 THIS SURVEY IS BASED UPON A FIELD SURVEY PERFORMED BY RAFTER A., LTD IN JANUARY THRU FEBRUARY OF 2022.

REV.	BY	DATE	DESCRIPTION
1	JAD	02-18-2022	ISSUE TO CLIENT



P.P.N. 06-23-008-104-046 & 06-23-008-104-060 BOUNDARY SURVEY TOWNSHIP OF ELYRIA, COUNTY OF LORAIN, STATE OF OHIO		RAFTER A, LTD LAND SURVEYING • ENGINEERING • TESTING 42653 Oberlin-Elyria Road, Oberlin, Ohio 44074 440-707-4014 • www.raftera.com • info@raftera.com
EYERE OBI VERA 6505 LAKE AVE ELYRIA, OHIO 44035		
DRAWN BY: JAD JOB NO: 2869-21	CHECKED BY: JSR SHEET 1 of 1	