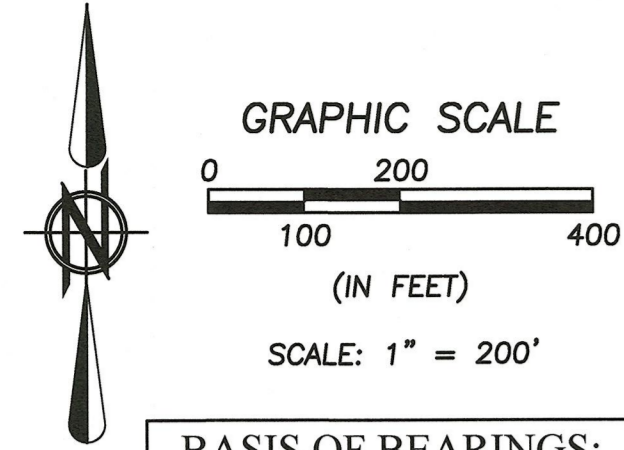


# LOT SPLIT SURVEY

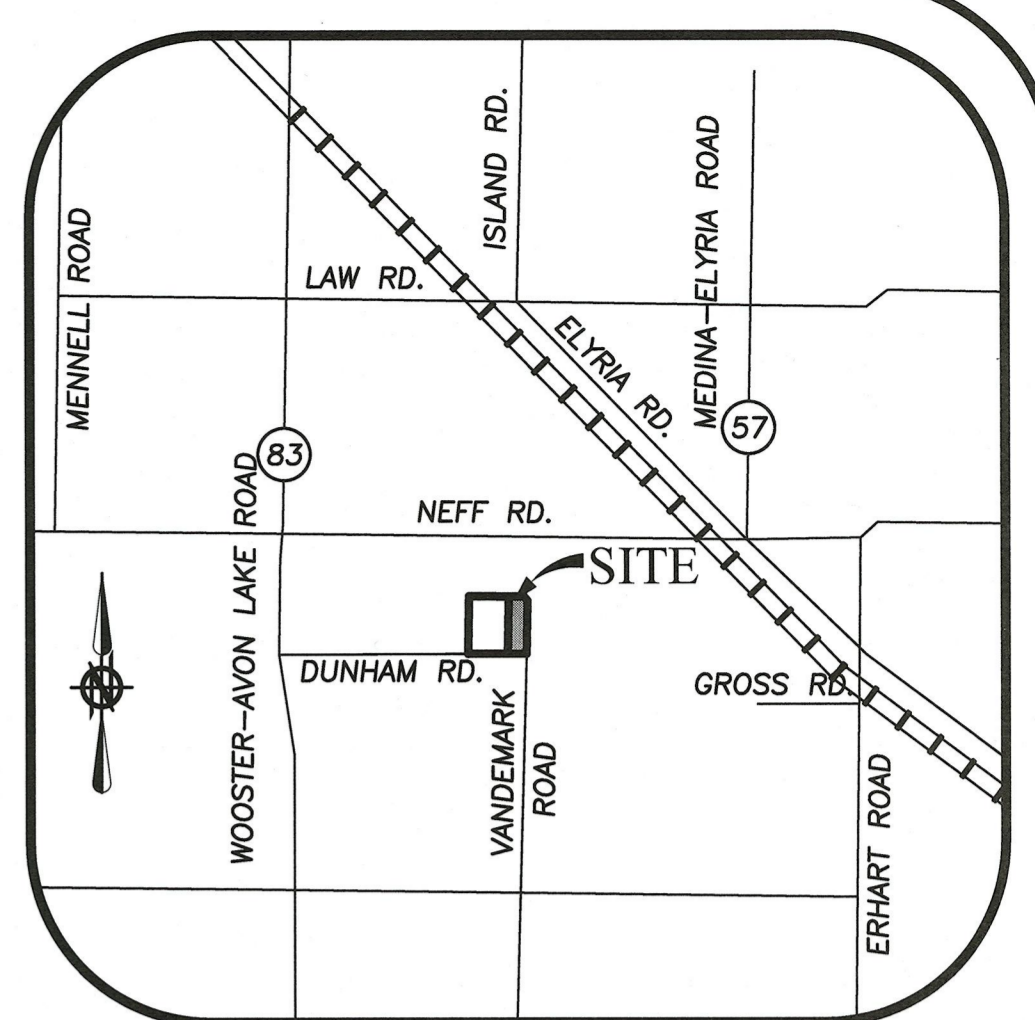
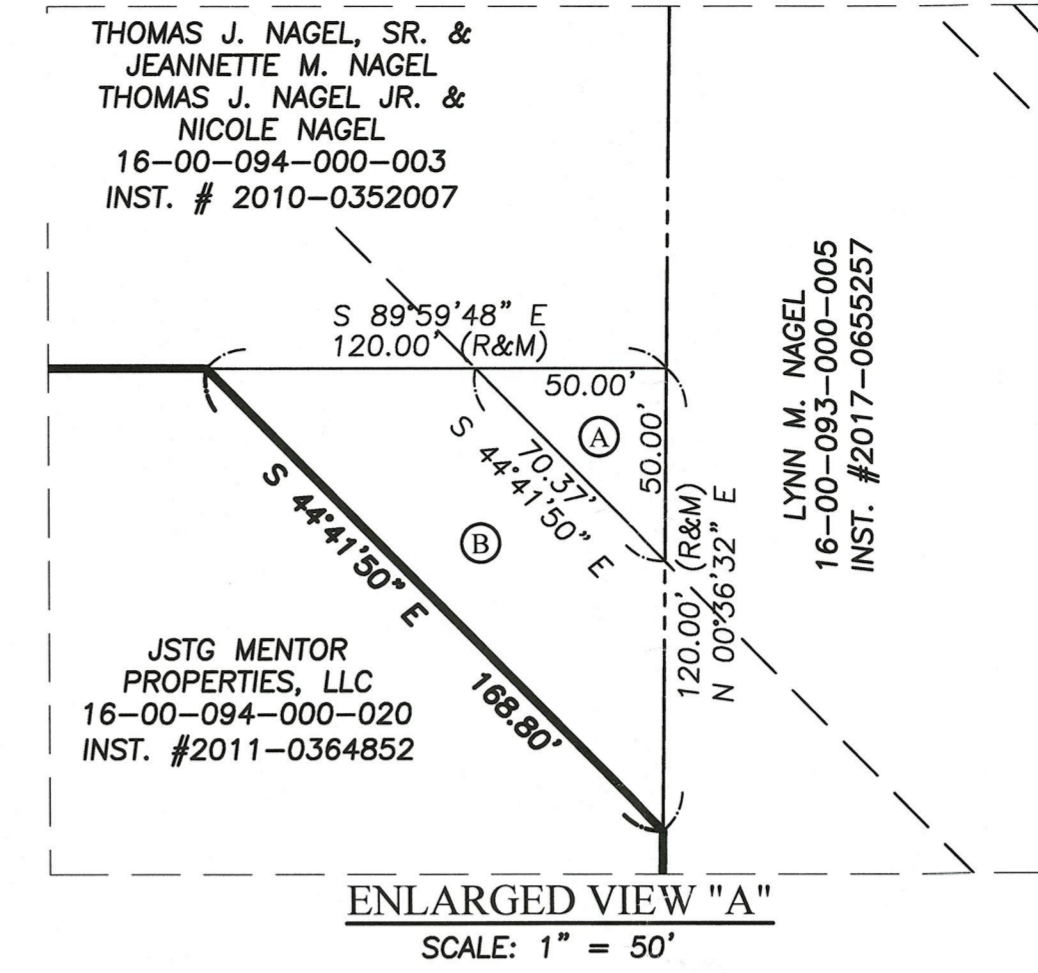
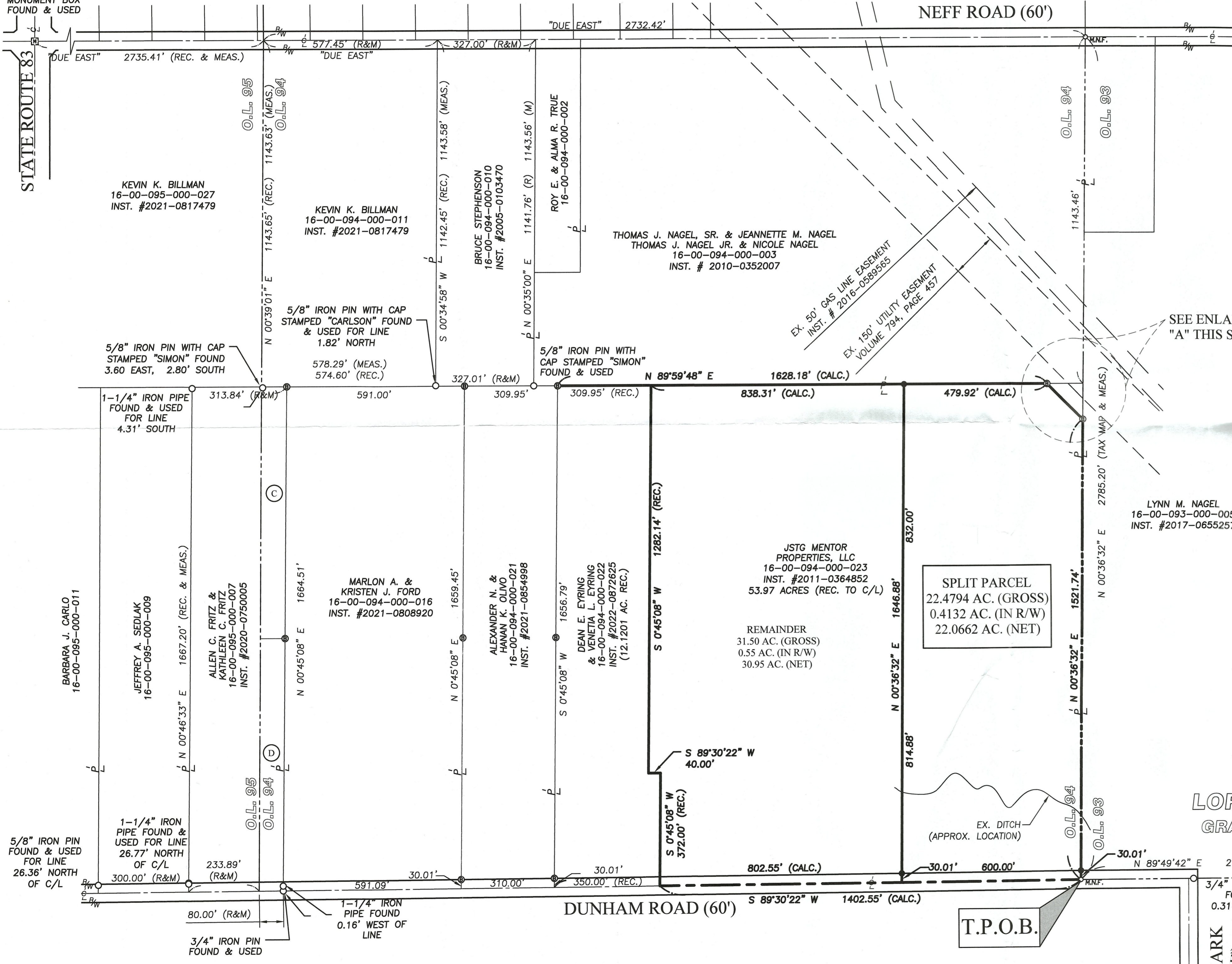
SITUATED IN THE TOWNSHIP OF GRAFTON, COUNTY OF LORAIN, STATE OF OHIO  
AND KNOWN AS BEING ORIGINAL GRAFTON TOWNSHIP LOT NUMBER 94



**BASIS OF BEARINGS:**  
A PORTION OF THE CENTERLINE OF DUNHAM ROAD WHICH WAS ASSUMED TO BE N 89°30'22" E. ALL BEARINGS SHOWN ARE FOR PROJECT USE ONLY. THESE BEARINGS ARE TO AN ASSUMED MERIDIAN AND ARE USED TO DENOTE ANGLES ONLY.

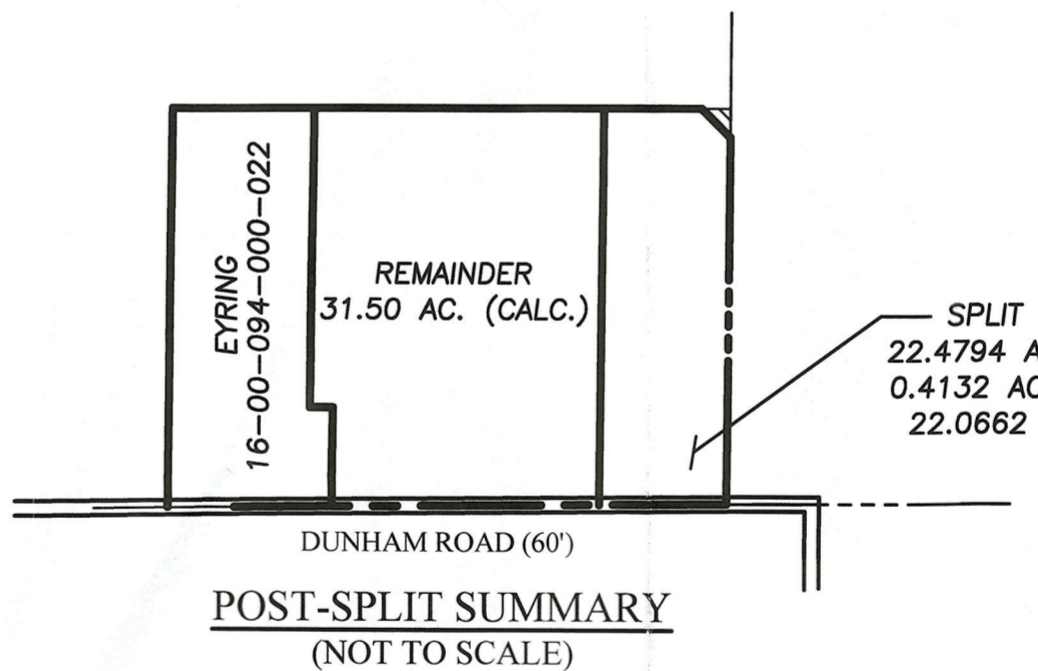
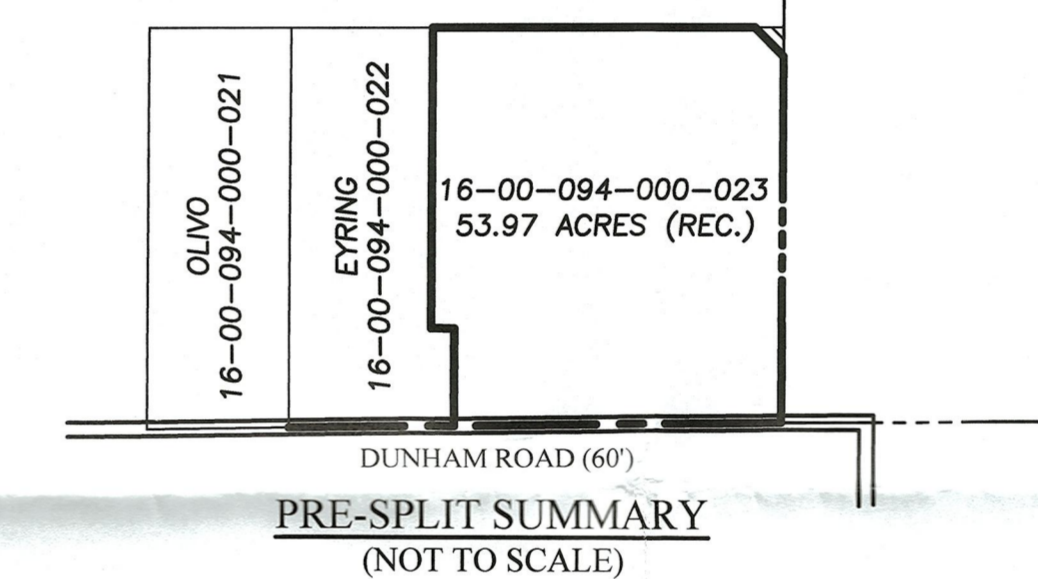
AS ORIGINALLY SURVEYED IN FEBRUARY OF 2011 & UPDATED IN APRIL 2022.

1" IRON PIN IN MONUMENT BOX FOUND & USED



VICINITY MAP  
-NOT TO SCALE-

OWNERSHIP TABLE	
(A)	JAMES P. IRWIN 16-00-094-000-007 VOLUME 791, PAGE 180 VOLUME 791, PAGE 642
(B)	JAMES P. IRWIN 16-00-094-000-006 VOLUME 791, PAGE 642
(C)	ALLEN C. FRITZ & KATHLEEN C. FRITZ 16-00-094-000-004 INST. #2020-0750005
(D)	ALLEN C. FRITZ & KATHLEEN C. FRITZ 16-00-094-000-008 INST. #2020-0750005



**LEGEND OF SYMBOLS**

- ⊠ IRON PIN/PIPE FOUND IN MONUMENT BOX AS INDICATED
- IRON PIN/PIPE FOUND AS INDICATED
- ⊙ MNF. MAGNETIC NAIL FOUND
- 5/8" IRON REBAR WITH CAP STAMPED "BRAMHALL 8073" FOUND & USED
- 5/8" IRON REBAR WITH CAP STAMPED "BRAMHALL 8073" SET
- C CENTERLINE
- P PROPERTY LINE
- R/W RIGHT-OF-WAY LINE
- (R) (REC.) RECORD INFORMATION
- (M) (MEAS.) MEASURED INFORMATION

**SPLIT PARCEL**  
22.4794 AC. (GROSS)  
0.4132 AC. (IN R/W)  
22.0662 AC. (NET)

LORAIN COUNTY  
GRAFTON TOWNSHIP

LITCHFIELD TOWNSHIP  
MEDINA COUNTY

50592  
APPROVED  
LORAIN CO.  
MAP DEPT  
DATE 6/13/22  
PAGE 16-00-094-8  
BY ACurden  
H 22-04492

**SURVEYOR'S CERTIFICATE:**  
THIS SURVEY WAS PERFORMED IN ACCORDANCE WITH SECTION 4733-37 OF THE OHIO ADMINISTRATIVE CODE "STANDARDS FOR BOUNDARY SURVEYS"  
AMY M. KELLY, P.S.  
REGISTERED OHIO SURVEYOR No. 8469  
5/26/2022 DATE

REVISION	DATE	BY	DESCRIPTION
	04-18-2022	AMK	PRELIMINARY - FOR REVIEW
	04-25-2022	AMK	ISSUE TO CLIENT
	05-20-2022	AMK	ISSUE TO CLIENT - UPDATED TO REFLECT RECENT SPLIT

- REFERENCES:**
- LORAIN COUNTY TAX MAP RECORDS.
  - LORAIN COUNTY DEED RECORDS FOR SUBJECT, ADJACENT, & ADJOINING PARCELS.
  - LORAIN COUNTY TAX MAP DATED 1974.
  - SURVEYS BY BRAMHALL ENGINEERING & SURVEYING COMPANY; FEBRUARY 2011, FEBRUARY 2021 & OCTOBER 2021.
  - LOT SPLIT & CONSOLIDATION SURVEY BY CUNNINGHAM & ASSOCIATES DATED APRIL 1, 2022. (COUNTY SURVEY NO. 50,557)

**NOTE:**  
THIS SURVEY WAS PERFORMED WITHOUT THE BENEFIT OF A TITLE REPORT AND MAY NOT REFLECT ALL EASEMENTS ON SUBJECT PARCELS. A SEARCH OF EASEMENTS WAS NOT CONDUCTED BY BRAMHALL ENGINEERING & SURVEYING COMPANY.

DRAWN BY:  
CAT  
CHECKED BY:  
AMK

**BRAMHALL**  
ENGINEERING AND SURVEYING CO., INC.  
801 MOORE ROAD AVON, OHIO 44011  
(440) 934 - 7878 (440) 934 - 7879 FAX

SHEET  
1 OF 1  
JOB NO.  
22-5786