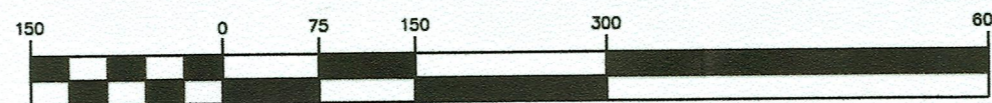


Lewis Land Professionals, Inc. has made no investigation or independent search for easements of record, encumbrances, restrictive covenants, ownership title evidence, or any other facts that an accurate and current title search may disclose.

GRAPHIC SCALE

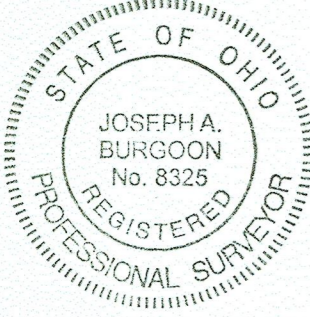
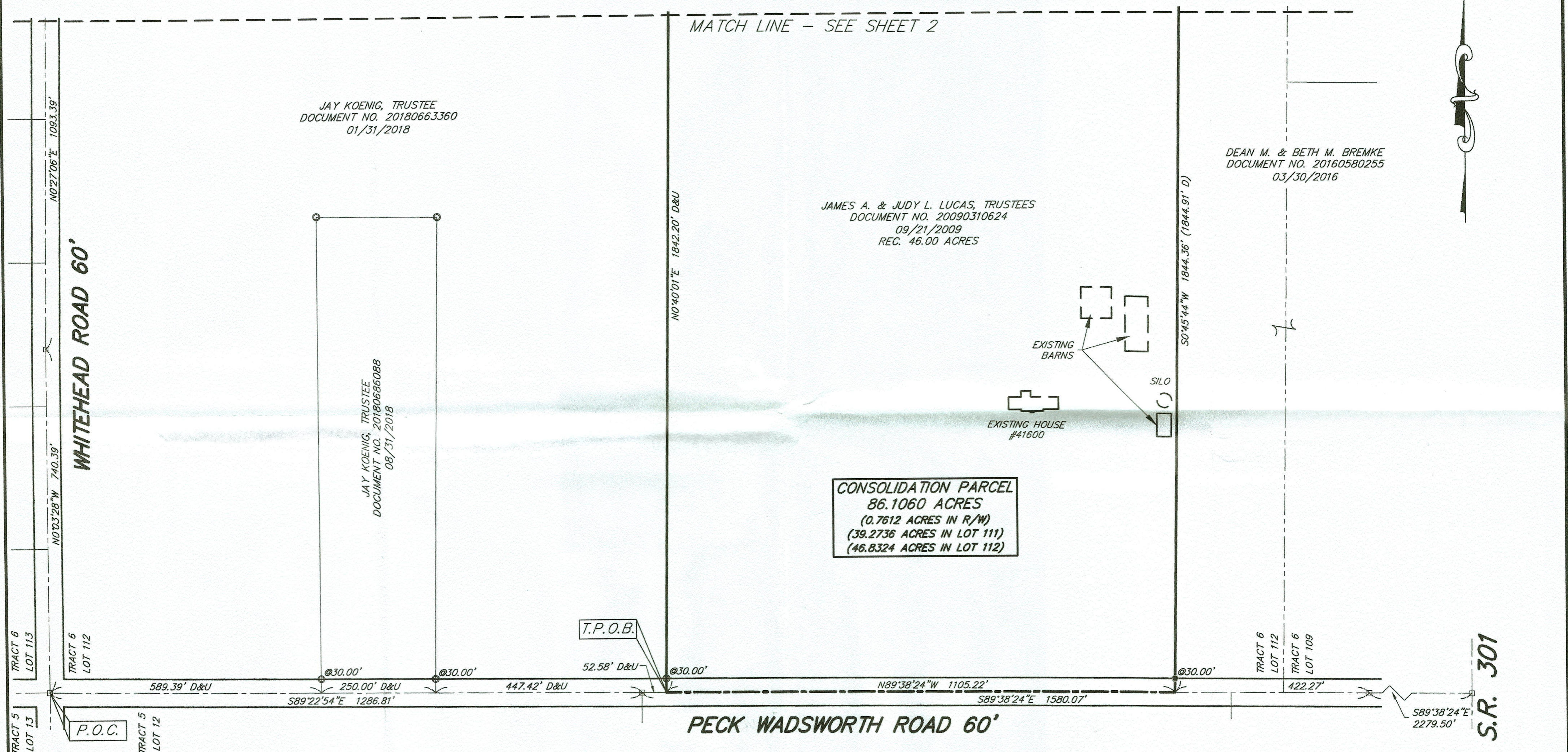


( IN FEET )  
1 inch = 150 ft.

The "Basis of Bearings" for this survey is **TRUE NORTH** as established by GPS observation.

**LOT SPLIT & CONSOLIDATION SURVEY**

Situated in the Township of Penfield, County of Lorain, State of Ohio, and known as being part of Lots 111 & 112 of Tract 6



**SURVEYOR'S CERTIFICATION**

I hereby certify that I have surveyed the land on this plat, that the plat is a correct representation of the land surveyed, that the survey balances and closes, that all dimensional and geodetic details are correct, and that the monuments shown thereon exist or shall be set at all lot corners and radius returns.

*Joseph A. Burgoon*  
Joseph A. Burgoon

Date: 4/7/2022  
Reg. Ohio Surveyor No. PS-#8325

50570  
 A. CORDEN  
 5/12/22  
 19-06-112  
 BY A. CORDEN  
 #22-04476

**SURVEY LEGEND**

- - 5/8" x 30" Iron Pin Set w/cap Lewis Land Professionals
  - - Monument Box Found w/Lorain County Monument
  - - 5/8" Iron Pin w/cap Lewis Land Professionals Found & Used Unless Otherwise Described
  - ⊙ - Iron Pipe Found & Described
- Fnd. (F) - Found      Rec. (R) - Record Survey  
 Usd. (U) - Used      Calc. (C) - Calculated  
 (D) - Deed



**Lewis Land Professionals, Inc.**  
 Civil Engineering & Surveying  
 8691 Wadsworth Rd. Suite 100 Wadsworth, Ohio 44281  
 Phone: (330) 335-8232  
 www.landprosinc.com  
 Date: April 2022  
 Sheet 1 of 2  
 PROJ. No. 22-049 DRAWING NAME 22-049.dwg

**SURVEY LEGEND**

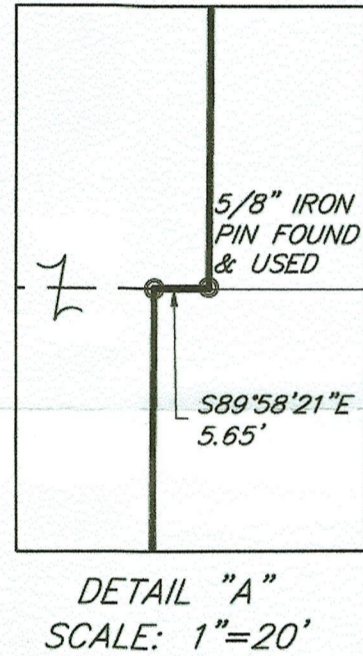
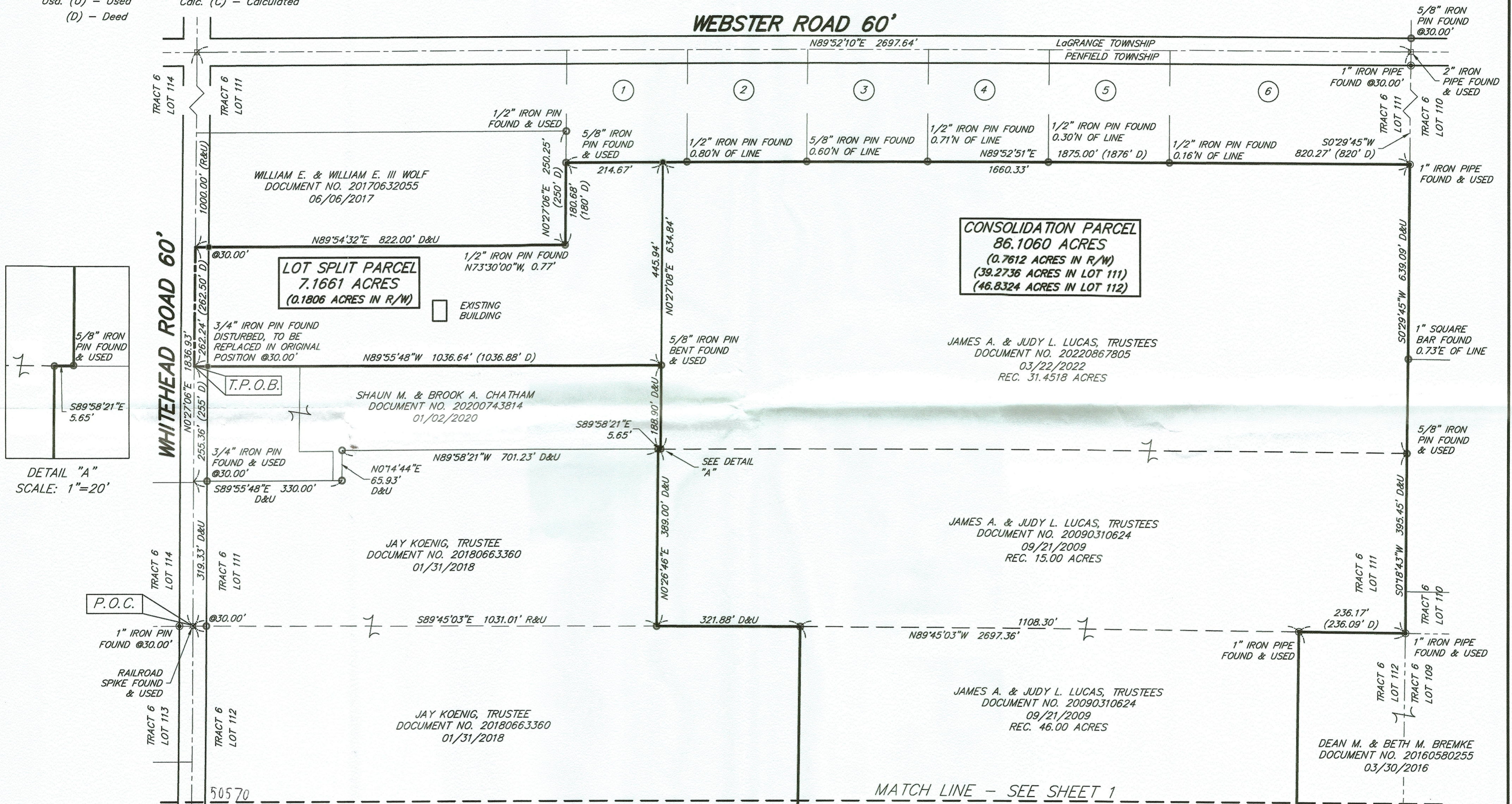
- - 5/8" x 30" Iron Pin Set w/cap Lewis Land Professionals
  - - Monument Box Found w/Lorain County Monument
  - - 5/8" Iron Pin w/cap Lewis Land Professionals
  - - Found & Used Unless Otherwise Described
  - - Iron Pipe Found & Described
- Fnd. (F) - Found      Rec. (R) - Record Survey  
 Usd. (U) - Used      Calc. (C) - Calculated  
 (D) - Deed

**LOT SPLIT & CONSOLIDATION SURVEY**

Situated in the Township of Penfield, County of Lorain, State of Ohio, and known as being part of Lots 111 & 112 of Tract 6

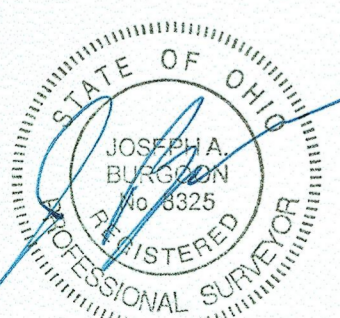
**WEBSTER ROAD 60'**

**WHITEHEAD ROAD 60'**



**LOT SPLIT PARCEL**  
 7.1661 ACRES  
 (0.1806 ACRES IN R/W)

**CONSOLIDATION PARCEL**  
 86.1060 ACRES  
 (0.7612 ACRES IN R/W)  
 (39.2736 ACRES IN LOT 111)  
 (46.8324 ACRES IN LOT 112)



APPROVED  
 LORAIN CO. MAP DEPT.  
 DATE 5/12/22  
 PAC 19-06-111  
 BY A. Carden  
 #22-64476

- ① WILLIAM JAMES & REBECCA LYNN ARMITAGE, TRUSTEES  
 DOCUMENT NO. 20050072191  
 05/13/2005
- ② BRIAN M. & ELIZABETH M. SOLTZ  
 DOCUMENT NO. 19980554948  
 08/05/1998
- ③ AUTUMN & LARRY HARBERT  
 DOCUMENT NO. 20170654518  
 12/11/2017
- ④ MAXSON A. & LINDA L. JONES  
 DOCUMENT NO. 20190725353  
 08/08/2019
- ⑤ MARK W. & ELIZABETH M. FREY  
 DOCUMENT NO. 19980571713  
 10/26/1998
- ⑥ SANDRA G. SHUDY  
 DOCUMENT NO. 20000720282  
 11/30/2000

**Lewis Land Professionals, Inc.**  
 Civil Engineering & Surveying  
 8691 Wadsworth Rd. Suite 100 Wadsworth, Ohio 44281  
 Phone: (330) 335-8232  
 www.landprosinc.com  
 Date: April 2022  
 Sheet 2 of 2  
 PROJ. No. 22-049 DRAWING NAME 22-049.dwg