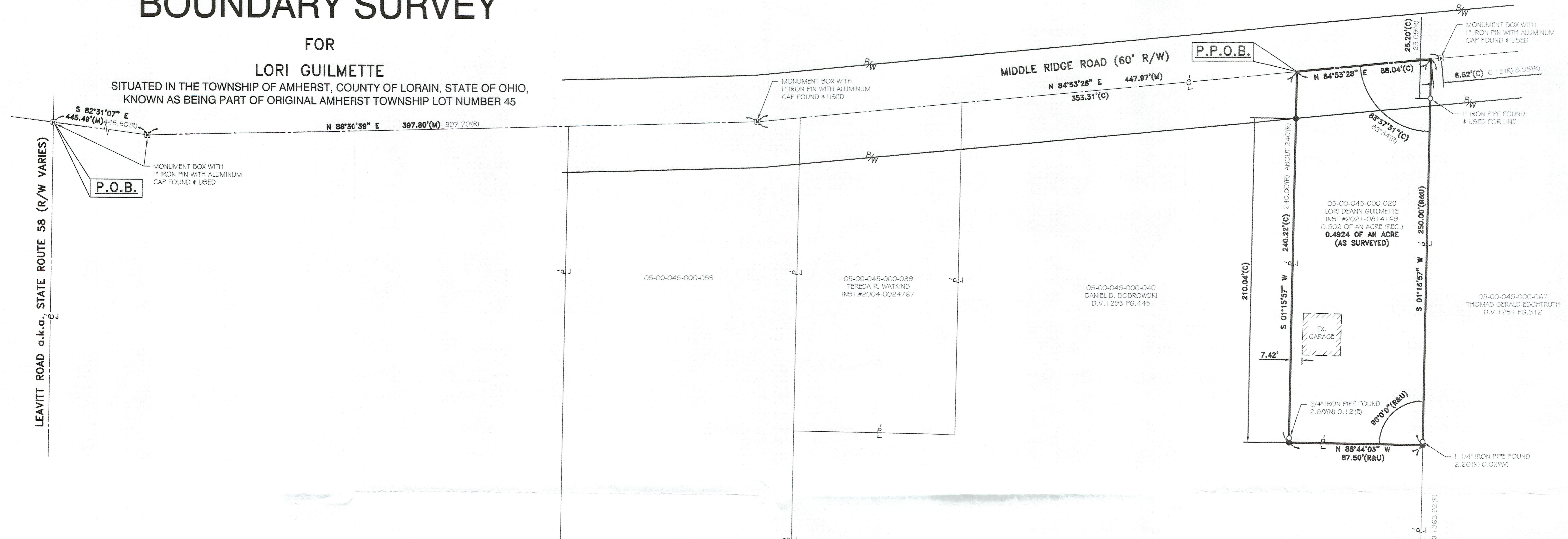


# BOUNDARY SURVEY

FOR  
LORI GUILMETTE

SITUATED IN THE TOWNSHIP OF AMHERST, COUNTY OF LORAIN, STATE OF OHIO,  
KNOWN AS BEING PART OF ORIGINAL AMHERST TOWNSHIP LOT NUMBER 45



**LEGEND:**

- IRON PIPE FOUND AS NOTED
- 5/8" REBAR SET WITH YELLOW CAP STAMPED 'RAFTER A, LTD CORNER PIN' OR GREEN CAP STAMPED 'RAFTER A, LTD LINE PIN'
- ▣ MONUMENT BOX FOUND WITH IRON PIPE FOUND AS NOTED
- P/L PROPERTY LINE
- C/L CENTERLINE
- R/W RIGHT-OF-WAY

**BASIS OF BEARINGS:**

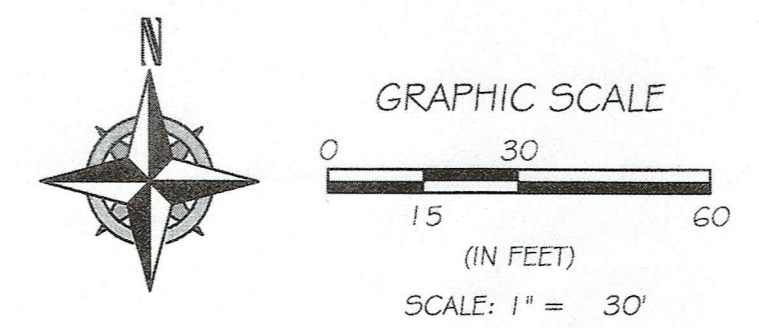
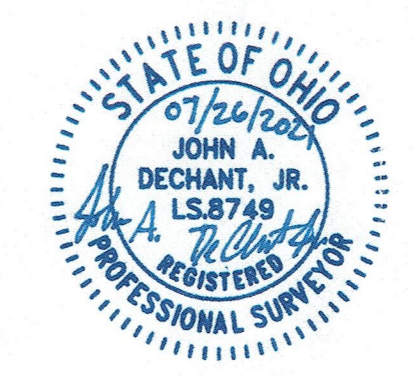
BASIS OF BEARING IS ASSUMED AND IS USED TO DESCRIBE ANGLES ONLY. A PORTION OF THE CENTERLINE OF MIDDLE RIDGE ROAD AND IS ASSUMED TO BE NORTH 84° 53' 28" EAST AS SHOWN HEREON.

THIS SURVEY IS BASED UPON A FIELD SURVEY PERFORMED BY RAFTER A., LTD IN JUNE AND JULY OF 2021.

**REFERENCES USED:**

- SUBJECT & ADJACENT PARCEL RECORDINGS AS LISTED HEREON
- LORAIN COUNTY TAX MAPS (CURRENT AND 1962 MAPS)
- SURVEY OF GEORGE WILFORD FARM, T.L. GIBSON C.E., DATED MAY 14, 1914
- SURVEY FOR MATT BLACK, T.W. LAUNDON REGISTERED SURVEYOR, JULY 1947
- SURVEY FOR JOHN DARAKIS, C.E. PENFOUND, REGISTERED SURVEYOR, DATED MAY 26, 1948
- MAP OF SURVEY PART OF ORIGINAL LOT 45-AMHERST TOWNSHIP, MCGLINCHY AND ASSOCIATES, DATED APRIL 15, 1977
- MAP OF PART OF O.L. 45-46 AMHERST TOWNSHIP, ARNOLD F. KOEPP REGISTERED SURVEYOR NO. 4306, DATED OCTOBER 26, 1977

50530  
APPROVED  
LORAIN CO.  
MAYOR  
DATE 3/17/2022  
PAGE 05-00-045  
BY A. Carden  
# 22-04815-A



REV.	BY	DATE	DESCRIPTION
1	JAD	07-26-2021	ISSUE TO CLIENT

P.P.N. 05-00-045-000-029 <b>BOUNDARY SURVEY</b> TOWNSHIP OF AMHERST, COUNTY OF LORAIN, STATE OF OHIO		<b>RAFTER A, LTD</b> LAND SURVEYING • ENGINEERING • TESTING 42653 Oberlin-Elyria Road, Oberlin, Ohio 44074 440-707-4014 • www.raftera.com • info@raftera.com
LORI GUILMETTE 2548 ABBE ROAD SHEFFIELD VILLAGE, OHIO 44054	DRAWN BY: JAD CHECKED BY: RAF JOB No: 2730-21 SHEET 1 of 1	