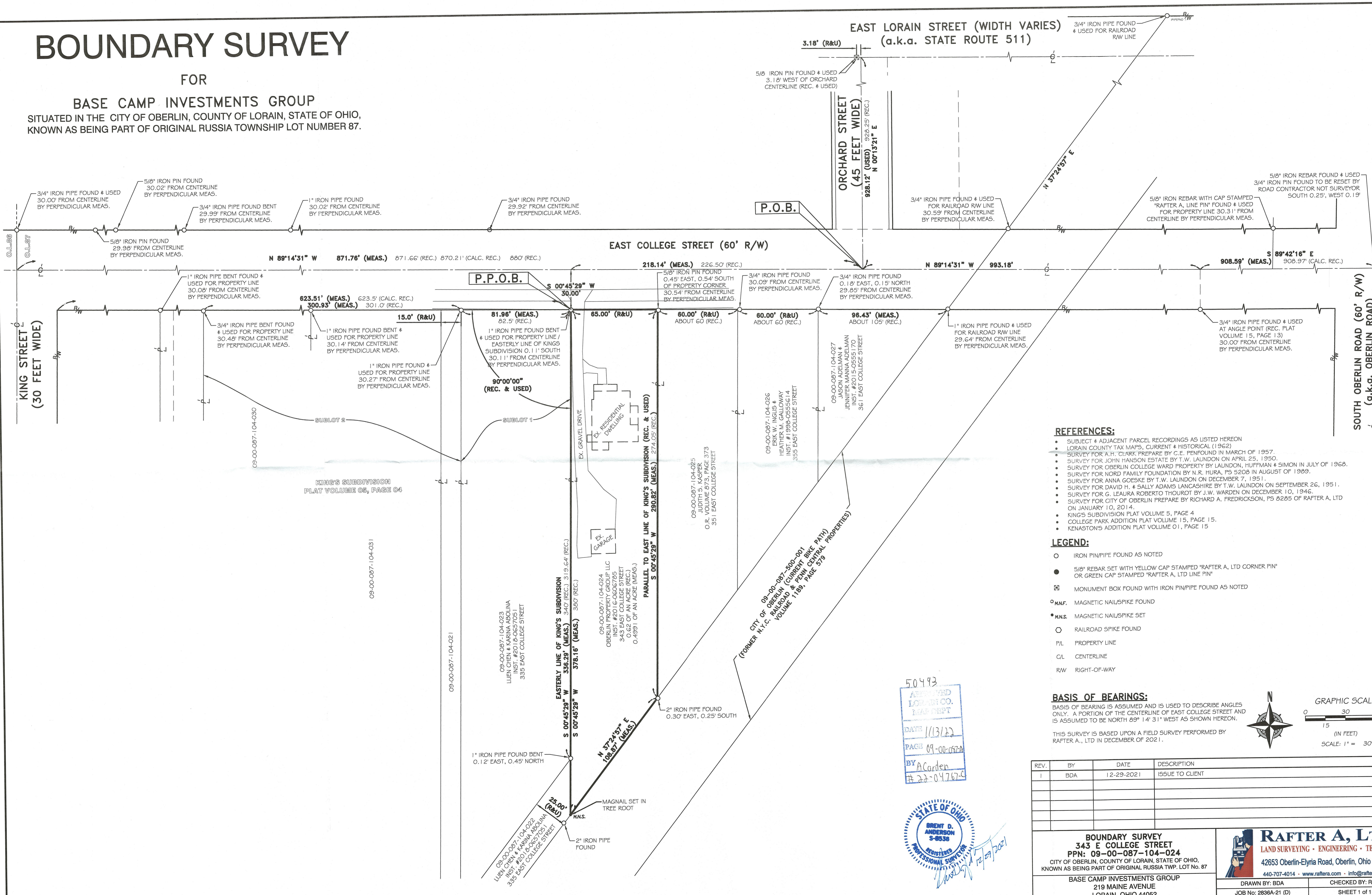


# BOUNDARY SURVEY

FOR  
**BASE CAMP INVESTMENTS GROUP**  
 SITUATED IN THE CITY OF OBERLIN, COUNTY OF LORAIN, STATE OF OHIO,  
 KNOWN AS BEING PART OF ORIGINAL RUSSIA TOWNSHIP LOT NUMBER 87.

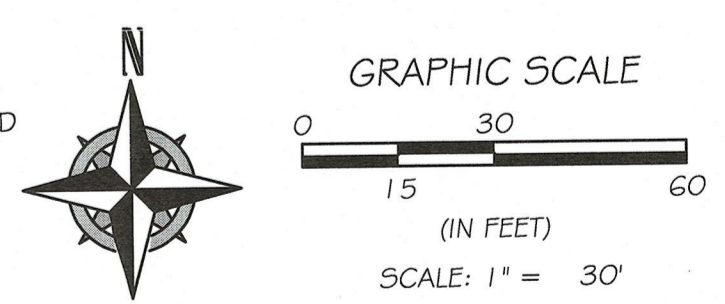


- REFERENCES:**
- SUBJECT & ADJACENT PARCEL RECORDINGS AS LISTED HEREON
  - LORAIN COUNTY TAX MAPS, CURRENT & HISTORICAL (1962)
  - SURVEY FOR A.H. CLARK PREPARE BY C.E. PENFOUND IN MARCH OF 1957.
  - SURVEY FOR JOHN HANSON ESTATE BY T.W. LAUNDON ON APRIL 25, 1950.
  - SURVEY FOR OBERLIN COLLEGE WARD PROPERTY BY LAUNDON, HUFFMAN & SIMON IN JULY OF 1968.
  - SURVEY FOR NORD FAMILY FOUNDATION BY M.R. HURA, PS 5208 IN AUGUST OF 1989.
  - SURVEY FOR DAVID H. & SALLY ADAMS LANCASHIRE BY T.W. LAUNDON ON DECEMBER 7, 1951.
  - SURVEY FOR G. LEAURA ROBERTO THOURET BY J.W. WARDEN ON DECEMBER 10, 1946.
  - SURVEY FOR CITY OF OBERLIN PREPARE BY RICHARD A. FREDRICKSON, PS 8285 OF RAFTER A, LTD ON JANUARY 10, 2014.
  - KING'S SUBDIVISION PLAT VOLUME 05, PAGE 4
  - COLLEGE PARK ADDITION PLAT VOLUME 15, PAGE 15.
  - KENASTON'S ADDITION PLAT VOLUME 01, PAGE 15

- LEGEND:**
- IRON PIN/PIPE FOUND AS NOTED
  - 5/8" REBAR SET WITH YELLOW CAP STAMPED "RAFTER A, LTD CORNER PIN" OR GREEN CAP STAMPED "RAFTER A, LTD LINE PIN"
  - ☒ MONUMENT BOX FOUND WITH IRON PIN/PIPE FOUND AS NOTED
  - M.N.F. MAGNETIC NAIL/SPIKE FOUND
  - M.N.S. MAGNETIC NAIL/SPIKE SET
  - RAILROAD SPIKE FOUND
  - P/L PROPERTY LINE
  - C/L CENTERLINE
  - R/W RIGHT-OF-WAY

**BASIS OF BEARINGS:**  
 BASIS OF BEARING IS ASSUMED AND IS USED TO DESCRIBE ANGLES ONLY. A PORTION OF THE CENTERLINE OF EAST COLLEGE STREET AND IS ASSUMED TO BE NORTH 89° 14' 31" WEST AS SHOWN HEREON.

THIS SURVEY IS BASED UPON A FIELD SURVEY PERFORMED BY RAFTER A., LTD IN DECEMBER OF 2021.



50493  
 APPROVED  
 LORAIN CO.  
 MAP DEPT.  
 DATE 1/13/22  
 PAGE 09-00-087-01  
 BY A.Carden  
 # 22-04767-0

STATE OF OHIO  
 BRENT D. ANDERSON  
 S-6538  
 REGISTERED PROFESSIONAL SURVEYOR  
 1/27/2021

REV.	BY	DATE	DESCRIPTION
1	BDA	12-29-2021	ISSUE TO CLIENT

<b>BOUNDARY SURVEY</b> 343 E COLLEGE STREET PPN: 09-00-087-104-024 CITY OF OBERLIN, COUNTY OF LORAIN, STATE OF OHIO, KNOWN AS BEING PART OF ORIGINAL RUSSIA TWP. LOT NO. 87		<b>RAFTER A, LTD</b> LAND SURVEYING • ENGINEERING • TESTING 42653 Oberlin-Elyria Road, Oberlin, Ohio 44074 440-707-4014 • www.raftera.com • info@raftera.com
BASE CAMP INVESTMENTS GROUP 219 MAINE AVENUE LORAIN, OHIO 44052		
DRAWN BY: BDA JOB No: 2836A-21 (D)	CHECKED BY: RAF SHEET 1 of 1	