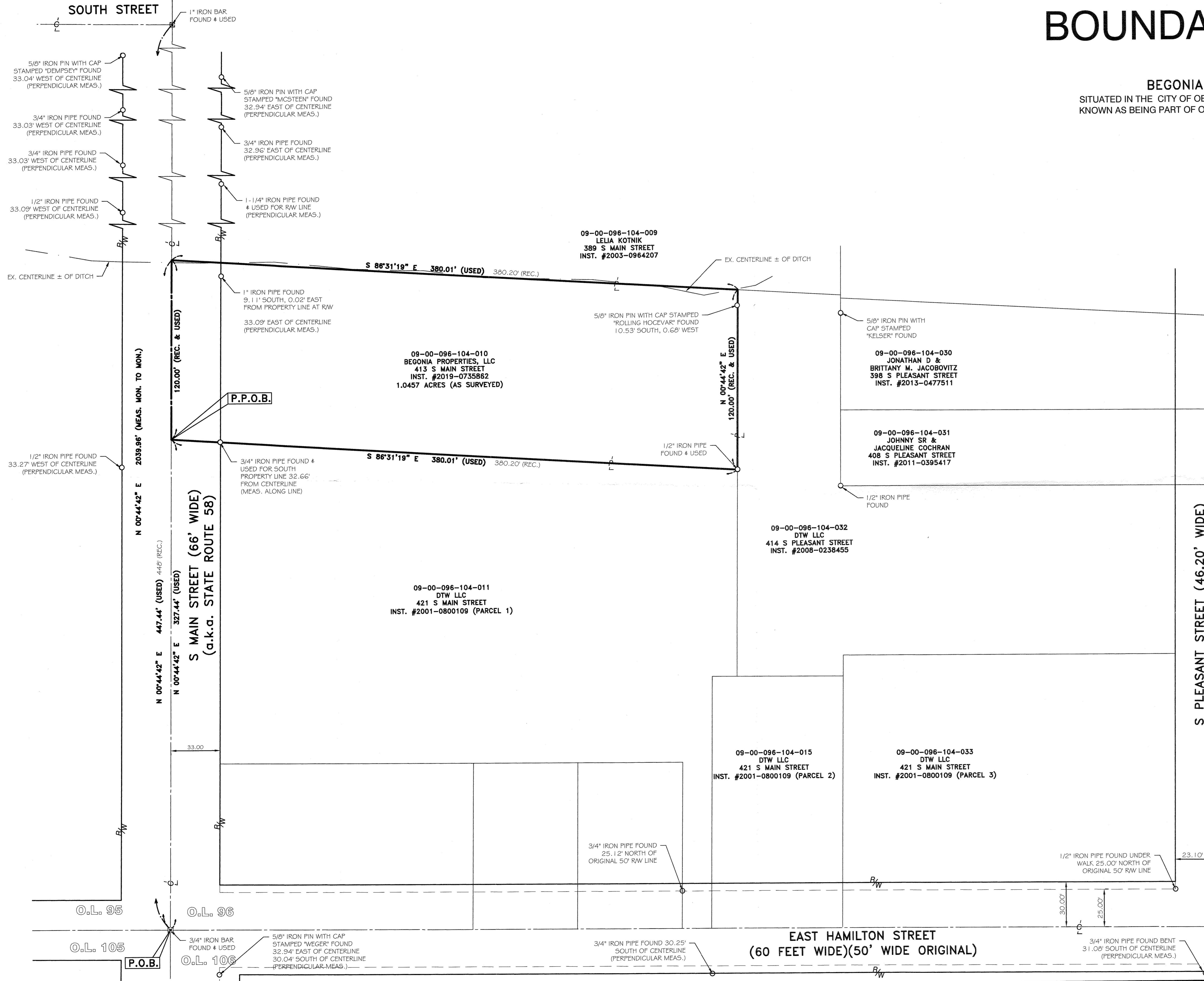


# BOUNDARY SURVEY

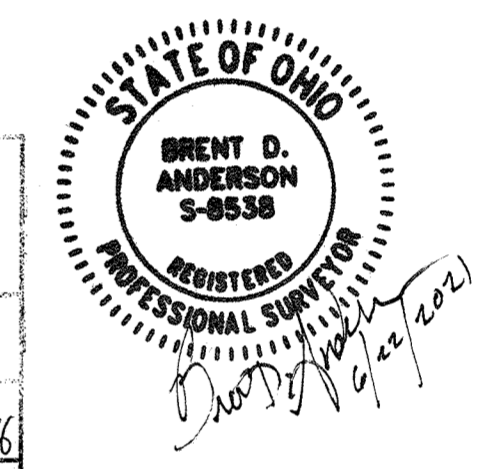
FOR

**BEGONIA PROPERTIES, LLC**

SITUATED IN THE CITY OF OBERLIN, COUNTY OF LORAIN, STATE OF OHIO,  
KNOWN AS BEING PART OF ORIGINAL RUSSIA TOWNSHIP LOT NUMBER 96.



56181  
APPROVED  
LORAIN CO.  
MAY 08 2021  
6/25/21  
09-00-096  
BY A. Carden  
#21-04591-D



**LEGEND:**

- IRON PIN/PIPE FOUND AS NOTED
- ▣ MONUMENT BOX FOUND AS NOTED
- \* P.K.S. MAGNETIC NAIL SET
- REBAR SET WITH CAP STAMPED "Rafter A Ltd" (LINE PINS = GREEN, CORNER PINS = YELLOW)

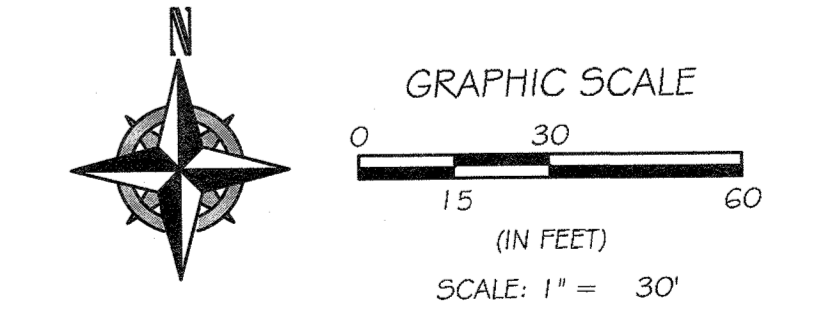
**REFERENCES USED**

- SUBJECT & ADJACENT PARCEL RECORDINGS AS LISTED HEREON
- LORAIN COUNTY TAX MAPS CURRENT & HISTORIC (1962)
- PLAT OF SURVEY PREPARED BY GARY E. WEIGLER, PS 7747 OF WEIGLER LAND SURVEYING, LTD FOR DTW, LLC & WGI PROPERTIES, LLC ON APRIL 4TH, 2006.
- PLAT OF SURVEY PREPARED BY THOMAS W. LAUNDON FOR GEO. E. & LILLY WILDBOND ON OCTOBER 17, 1947.
- PLAT OF SURVEY PREPARED BY THOMAS W. LAUNDON FOR JOY T & HENRY E. WESSLELL ON NOVEMBER 02, 1950.
- PLAT OF SURVEY PREPARED BY CHRISTOPHER J. DEMPSEY, PS 6914 FOR LORAIN METROPOLITAN HOUSING AUTHORITY ON JANUARY 27, 2012.

**BASIS OF BEARINGS**

BASIS OF BEARING IS ASSUMED AND IS USED TO DESCRIBE ANGLES ONLY. A PORTION OF THE CENTERLINE OF SOUTH MAIN STREET (a.k.a. STATE ROUTE 58) AND IS ASSUMED TO BE NORTH 00° 44' 42" EAST AS SHOWN HEREON.

THIS SURVEY IS BASED UPON A FIELD SURVEY PERFORMED BY RAFTER A., LTD IN JUNE OF 2021.



**UNDERGROUND UTILITIES**  
TWO WORKING DAYS  
**BEFORE YOU DIG**  
CALL 1-800-362-2764 (TOLL FREE)  
CIVIL UTILITIES PROTECTION SERVICE  
NON-MEMBERS MUST BE CALLED DIRECTLY  
CALL 1-800-925-0988 (TOLL FREE)  
OIL & GAS PRODUCERS UNDERGROUND PROTECTION SERVICE

| REV. | BY  | DATE       | DESCRIPTION      |
|------|-----|------------|------------------|
| 1    | BDA | 06.23.2021 | ISSUE FOR REVIEW |

**RAFTER A., LTD**  
LAND SURVEYING - ENGINEERING - TESTING  
42653 Oberlin-Elyria Road, Oberlin, Ohio 44074  
440-707-4014 • www.raftera.com • info@raftera.com

BEGONIA PROPERTIES, LLC  
4043 MONTGOMERY DRIVE  
LORAIN, OHIO 44053

**BOUNDARY SURVEY**  
SITUATED IN THE CITY OF OBERLIN, COUNTY OF LORAIN, STATE OF OHIO, KNOWN AS BEING PART OF ORIGINAL RUSSIA TOWNSHIP LOT NUMBER 96.

DRAWN BY: BDA  
CHECKED BY: RAF  
RAF JOB No: 2738-21

SHEET: 1 OF 1