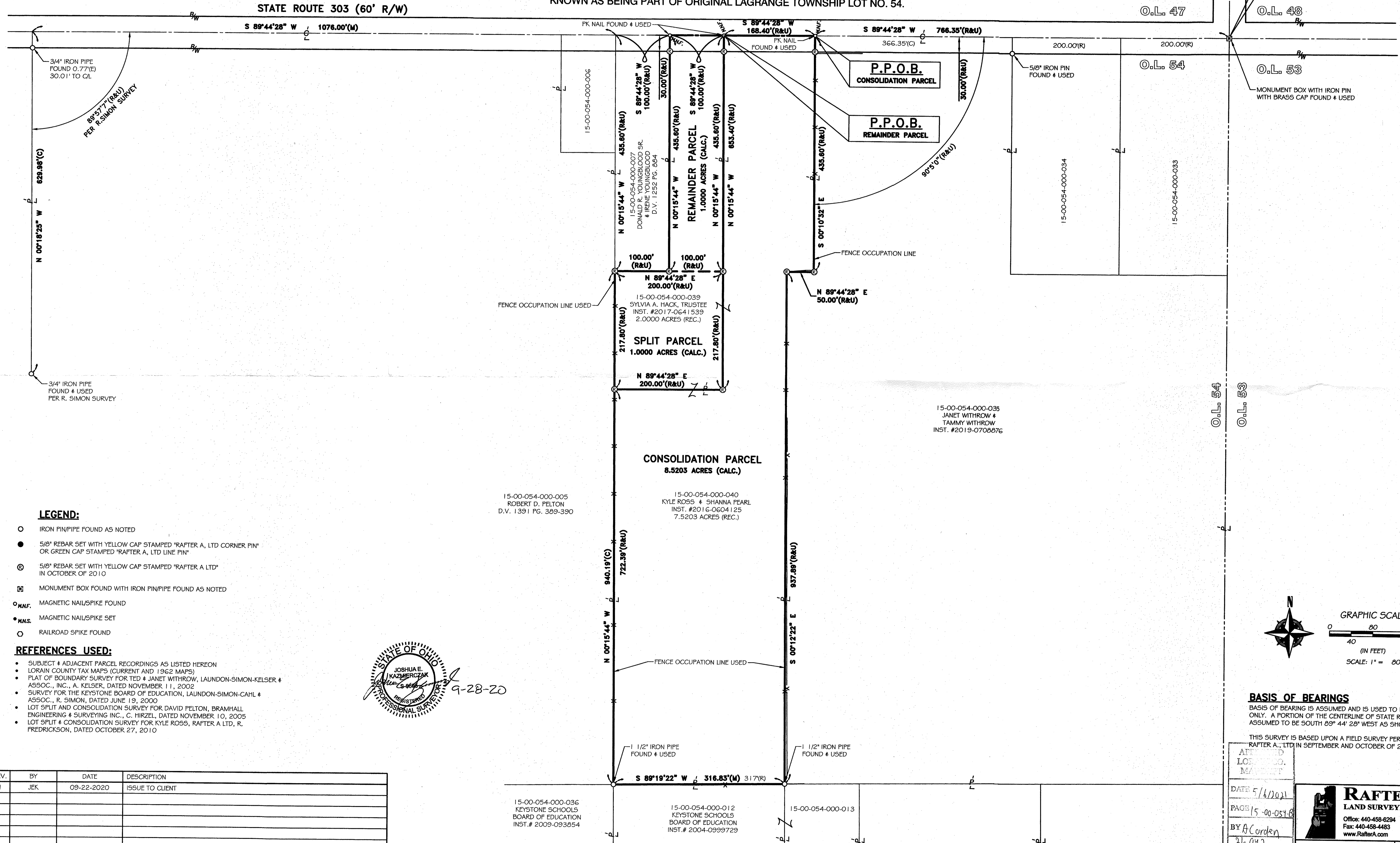


# LOT SPLIT & CONSOLIDATION SURVEY

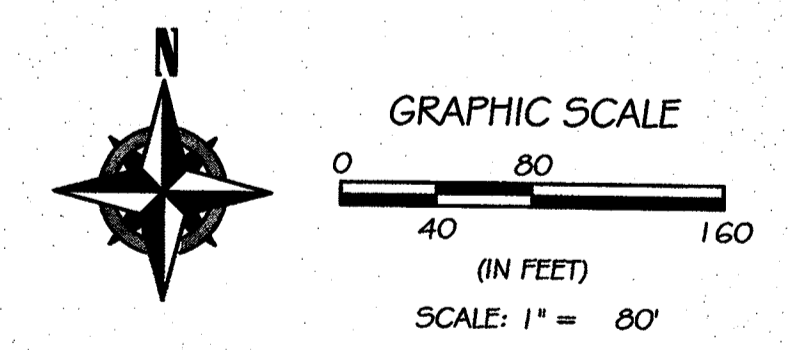
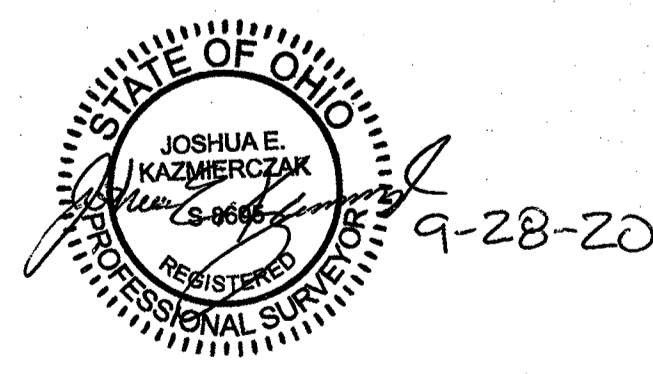
FOR  
KYLE ROSS

SITUATED IN THE TOWNSHIP OF LAGRANGE, COUNTY OF LORAIN, STATE OF OHIO,  
KNOWN AS BEING PART OF ORIGINAL LAGRANGE TOWNSHIP LOT NO. 54.



- LEGEND:**
- IRON PIN/PIPE FOUND AS NOTED
  - 5/8" REBAR SET WITH YELLOW CAP STAMPED "RAFTER A, LTD CORNER PIN" OR GREEN CAP STAMPED "RAFTER A, LTD LINE PIN"
  - ⊙ 5/8" REBAR SET WITH YELLOW CAP STAMPED "RAFTER A LTD" IN OCTOBER OF 2010
  - ⊞ MONUMENT BOX FOUND WITH IRON PIN/PIPE FOUND AS NOTED
  - M.N.F. MAGNETIC NAILSPIKE FOUND
  - M.N.S. MAGNETIC NAILSPIKE SET
  - RAILROAD SPIKE FOUND

- REFERENCES USED:**
- SUBJECT & ADJACENT PARCEL RECORDINGS AS LISTED HEREON
  - LORAIN COUNTY TAX MAPS (CURRENT AND 1962 MAPS)
  - PLAT OF BOUNDARY SURVEY FOR TED & JANET WITHROW, LAUNDON-SIMON-KELSER & ASSOC., INC., A. KELSER, DATED NOVEMBER 11, 2002
  - SURVEY FOR THE KEYSTONE BOARD OF EDUCATION, LAUNDON-SIMON-CAHL & ASSOC., R. SIMON, DATED JUNE 19, 2000
  - LOT SPLIT AND CONSOLIDATION SURVEY FOR DAVID PELTON, BRAMHALL ENGINEERING & SURVEYING INC., C. HIRZEL, DATED NOVEMBER 10, 2005
  - LOT SPLIT & CONSOLIDATION SURVEY FOR KYLE ROSS, RAFTER A LTD, R. FREDRICKSON, DATED OCTOBER 27, 2010



**BASIS OF BEARINGS**  
BASIS OF BEARING IS ASSUMED AND IS USED TO DESCRIBE ANGLES ONLY. A PORTION OF THE CENTERLINE OF STATE ROUTE 303 AND IS ASSUMED TO BE SOUTH 89° 44' 28" WEST AS SHOWN HEREON.

THIS SURVEY IS BASED UPON A FIELD SURVEY PERFORMED BY RAFTER A., LTD IN SEPTEMBER AND OCTOBER OF 2010.

REV.	BY	DATE	DESCRIPTION
1	JEK	09-22-2020	ISSUE TO CLIENT

APPROVED  
LORAIN CO.  
MAINTENANCE  
DATE 5/6/2021  
PAGE 15-00-051-B  
BY A. Corden  
21-042

**RAFTER A, LTD**  
LAND SURVEYING & ENGINEERING  
Office: 440-458-6294 700 Oberlin-Elyria Road Elyria, Ohio 44035  
Fax: 440-458-4483  
www.RafterA.com

DRAWN BY: JAD CHECKED BY: JEK  
JOB No: 0823-10 SHEET 1 of 1