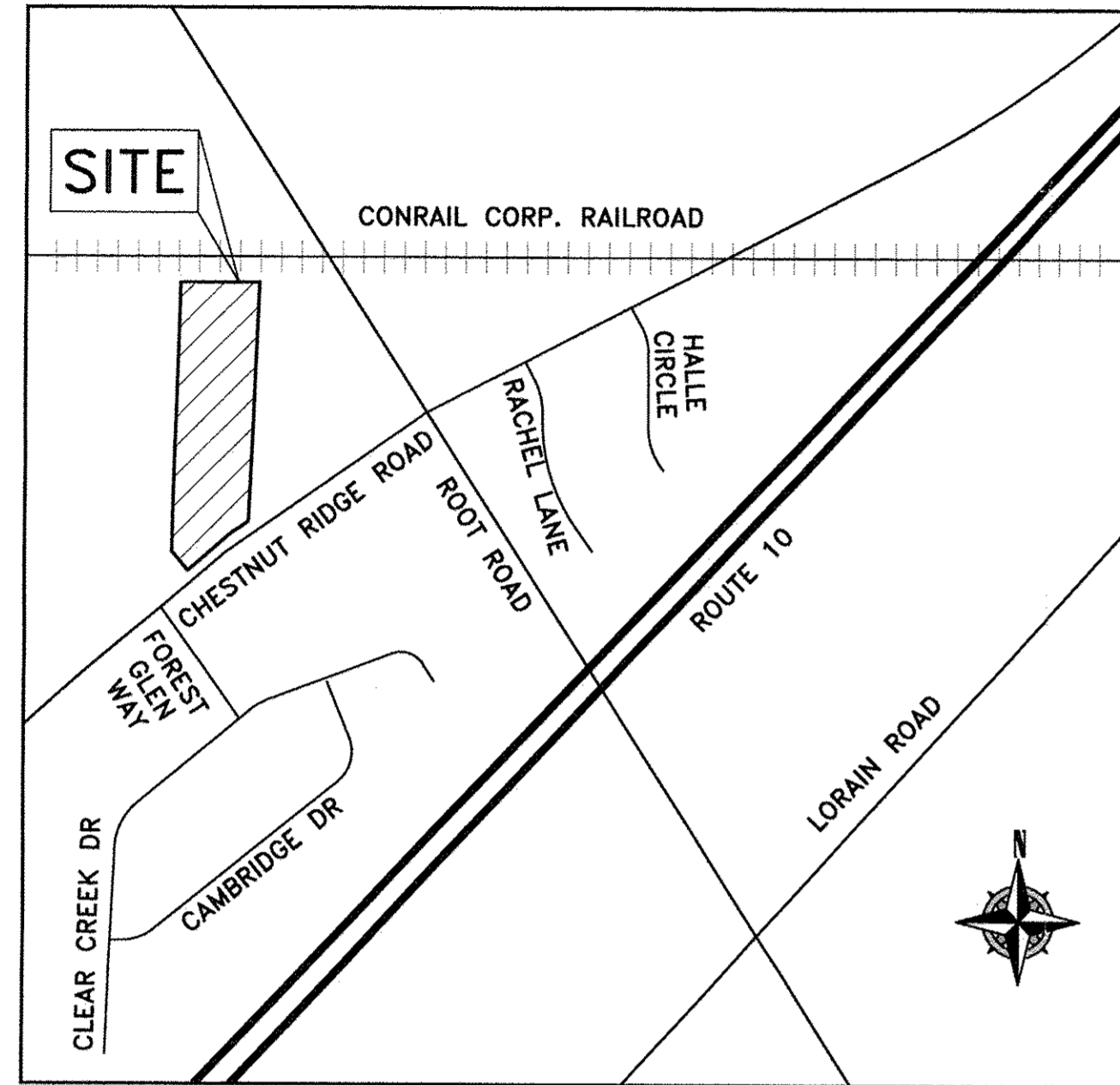


LOT SPLIT SURVEY

FOR

G&S PROPERTY INVESTMENTS LLC

SITUATED IN THE CITY OF NORTH RIDGEVILLE, COUNTY OF LORAIN, STATE OF OHIO,
KNOWN AS BEING PART OF ORIGINAL RIDGEVILLE TOWNSHIP LOT NUMBER 14.



VICINITY MAP
-NOT TO SCALE-

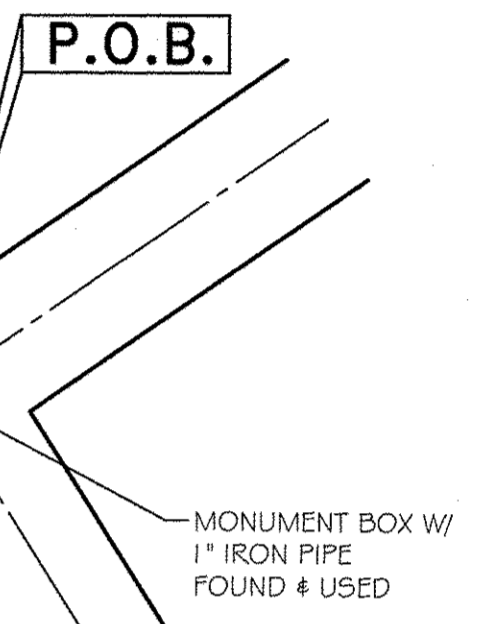
07-00-022-500-001
PENNSYLVANIA LINES LLC
INST.#2002-0851798

NEW YORK CENTRAL RAILROAD



APPROVED
LORAIN CO. MARSHAL
DATE 4-20-20
PAGE 7-00-014
BY R. MAINES
#20-04115

07-00-014-101-040
-041
-042

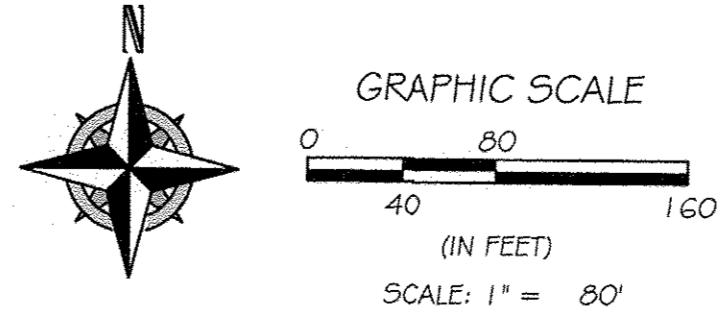


STATE OF OHIO
RICHARD A. FREDRICKSON
S-8285
REGISTERED PROFESSIONAL SURVEYOR
3.20.2020

LINE REFERENCE TABLE		
L-1	106.47' (REC) 105.73' (CALC)	N 40°32'54" W
L-2	60.87'	N 40°32'54" W
L-3	37.63'	N 40°32'54" W

BASIS OF BEARINGS
BASIS OF BEARING IS ASSUMED AND IS USED TO DESCRIBE ANGLES ONLY. A PORTION OF THE CENTERLINE OF CHESTNUT RIDGE ROAD AND IS ASSUMED TO BE SOUTH 55°13'33" WEST AS SHOWN HEREON.

THIS SURVEY IS BASED UPON A FIELD SURVEY PERFORMED BY RAFTER A., LTD IN FEBRUARY & MARCH OF 2020.



LEGEND:

- IRON PIN/PIPE FOUND AS NOTED
- REBAR SET WITH YELLOW CAP STAMPED "RAFTER A, LTD CORNER PIN" OR GREEN CAP STAMPED "RAFTER A, LTD LINE PIN"
- ☒ MONUMENT BOX FOUND WITH IRON PIN/PIPE FOUND AS NOTED
- MNF. MAGNETIC NAILSPIKE FOUND
- MNS. MAGNETIC NAILSPIKE SET

REFERENCES USED:

- SUBJECT & ADJACENT PARCEL RECORDINGS AS LISTED HEREON
- LORAIN COUNTY TAX MAPS (CURRENT AND 1962 MAPS)
- BOUNDARY SURVEY FOR WILLIAM J. & LINDA C. DAVIS, W.R. WALLACE LLC, WILLIAM R. WALLACE P.S.8288, JUNE 4, 2013.
- SURVEY FOR DRECO, INC., RAFTER A., LTD, RICHARD A. FREDRICKSON P.S.8285, APRIL 25, 2011.
- SURVEY FOR JOHN A. WORCESTER, J.W. WARDEN AND ASSOCIATES, NOVEMBER 1971.
- SURVEY FOR GERTRUDE WORCESTER, LAUNDON SIMON CAHL AND ASSOC., SEPTEMBER 1973.
- SURVEY FOR ESTER R. WORCESTER, D.D. ANDRUS AND ASSOCIATES REG. SURV., JUNE 27, 1968.
- WALDWOOD ESTATES PLAT VOLUME 58 PAGE 31.
- NEW YORK CENTRAL RAILROAD VALUATION MAP V206

REV.	BY	DATE	DESCRIPTION
1	RAF	03-10-2020	PRELIMINARY ISSUE TO CLIENT FOR REVIEW
2	RAF	03-16-2020	PRELIMINARY ISSUE TO CLIENT FOR REVIEW
3	RAF	03-20-2020	ISSUE TO CLIENT

(A)	07-00-014-101-014 JEROME T. TAYLOR & STEPHANIE M. KRAUS INST.#2010-0330087
(B)	07-00-014-101-016 JACQUELYN M. HIRSCH INST.#2016-0599120
(C)	07-00-014-101-018 ROYCE KLEIN FAMILY TRUST INST.#2014-0511565
(D)	07-00-014-101-020 LARRY A. VEZINA & LOIS L. VEZINA D.V.1301 PG.459
(E)	07-00-014-101-024 RAYMOND G. & TINA L. TRAUT INST.#1998-0529098
(F)	07-00-014-101-035 GARY SWEET INST.#1998-0513481

RAFTER A, LTD
LAND SURVEYING & ENGINEERING

Office: 440-458-6294 700 Oberlin-Elyria Road
Fax: 440-458-4483 Elyria, Ohio 44035
www.RafterA.com

DRAWN BY: JAD CHECKED BY: RAF
JOB No: 2419-20 SHEET 1 of 1