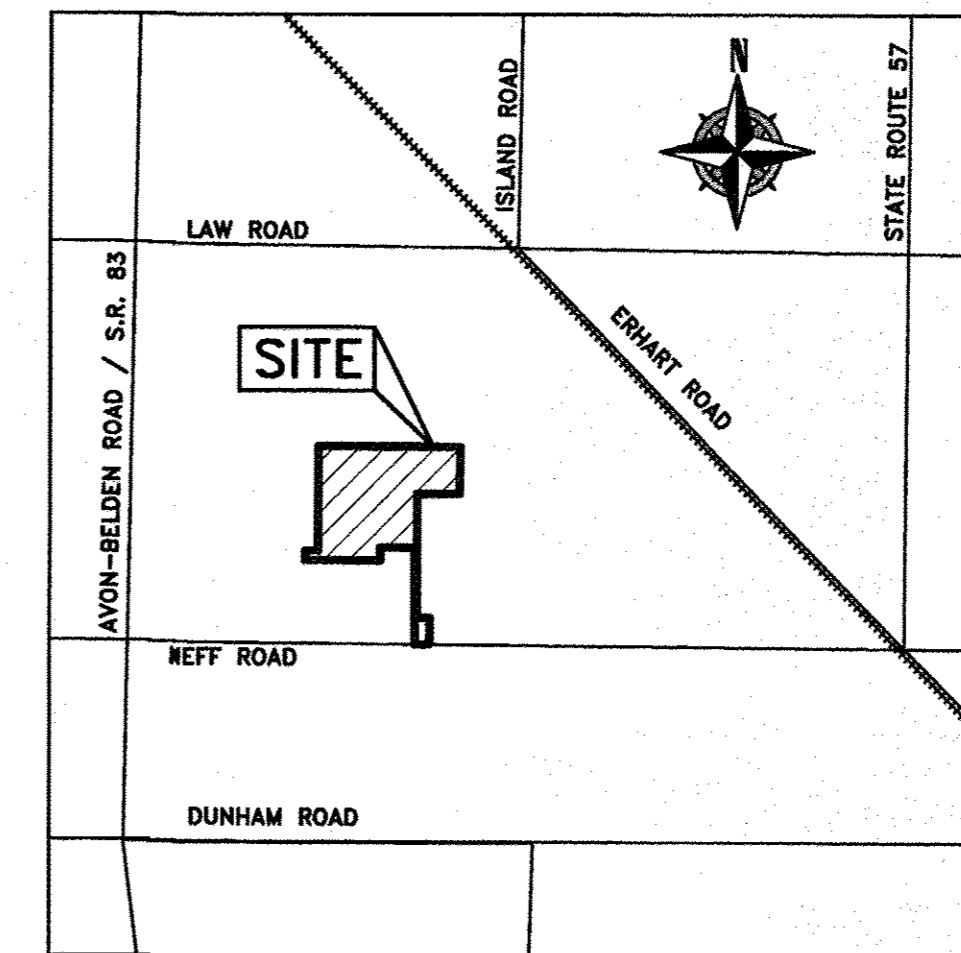


LOT-SPLIT SURVEY

FOR
BARRETT RESOURCES, LLC
 SITUATED IN THE TOWNSHIP OF GRAFTON, COUNTY OF LORAIN,
 STATE OF OHIO, AND KNOWN AS BEING PART OF ORIGINAL
 GRAFTON TOWNSHIP LOT NUMBER 87.



VICINITY MAP
 -NOT TO SCALE-

LEGEND:

- IRON PIN/PIPE FOUND AS NOTED
- REBAR SET WITH CAP STAMPED "Rafter A Ltd" (LINE PINS = GREEN, CORNER PINS = YELLOW)
- ☒ MONUMENT BOX FOUND WITH IRON PIN/PIPE FOUND AS NOTED
- M.M.F. MAGNETIC NAIL FOUND AS NOTED
- RAILROAD SPIKE FOUND

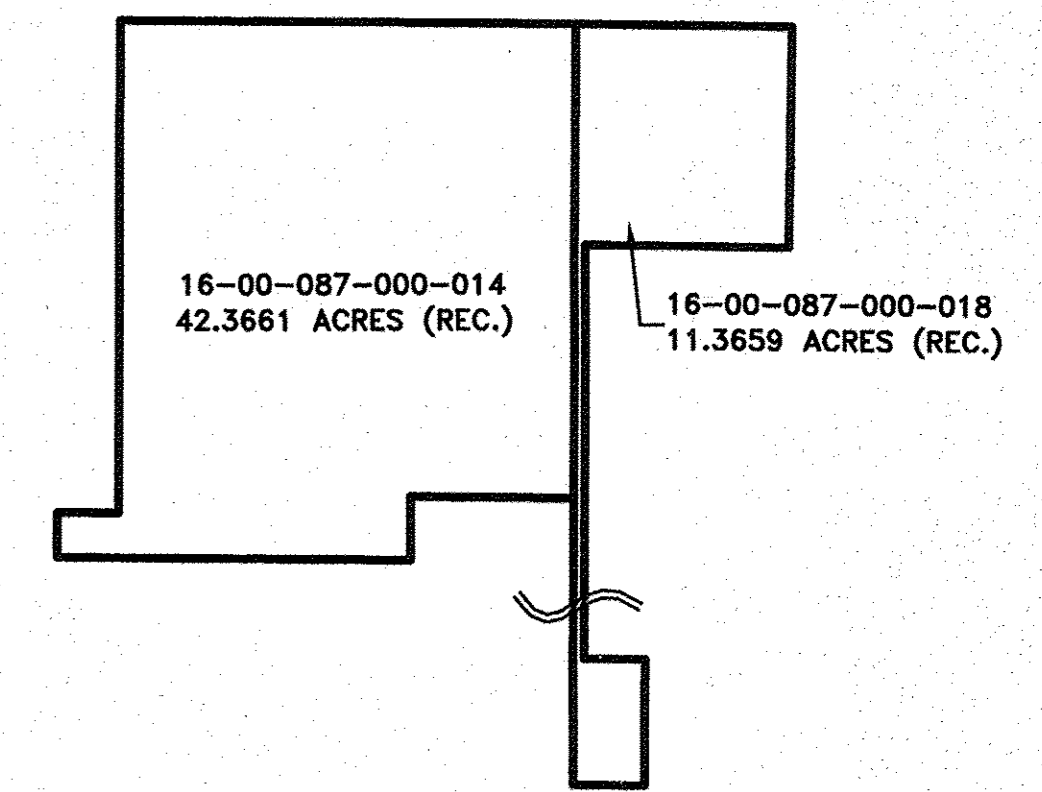
REFERENCES USED

- SUBJECT & ADJACENT PARCEL RECORDINGS AS LISTED HEREON
- LORAIN COUNTY TAX MAPS
- PLAT OF SURVEY PREPARED BY LAUNDON, SIMON, CAHL & ASSOCIATES FOR BIREX DEVELOPMENT CO., INC. IN OCTOBER OF 1977, LAST REVISED IN NOVEMBER OF 1977.
- PLAT OF SURVEY PREPARED BY BRAMHALL ENGINEERING & SURVEYING CO., INC. FOR BAUMGARTNER & O'TOOLE ON MARCH 20, 2006.
- PLAT OF SURVEY PREPARED BY BRAMHALL ENGINEERING & SURVEYING CO., INC. FOR JSTG MENTOR PROPERTIES, LLC ON FEBRUARY 18, 2011.
- PLAT OF SURVEY PREPARED BY THOMAS A. SIMON, PS 7775 FOR RUTH BILLMAN IN DECEMBER OF 2002.
- PLAT OF SURVEY PREPARED BY RICHARD D. CARLSON, PS 7496 FOR DIANE CRAFT ON JULY 21, 2003.

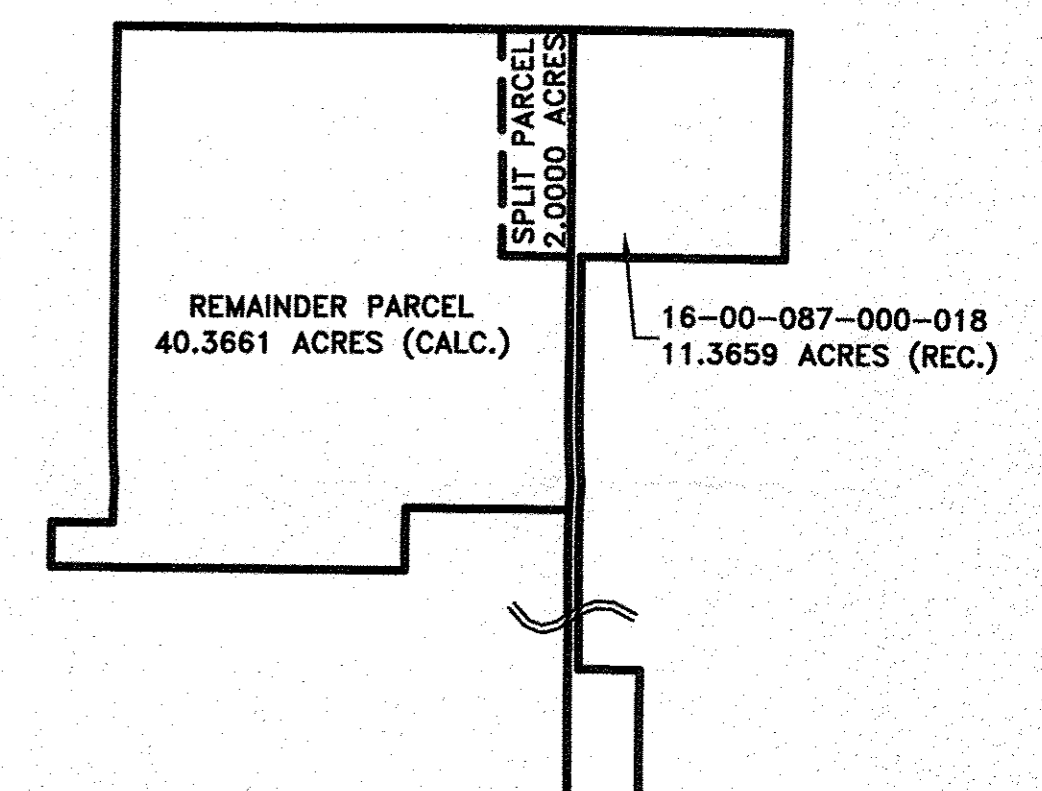
LINE REFERENCE TABLE

LINE	LENGTH	BEARING
L-1	30.00'	S 89°48'18" E
L-2	125.00' (R&U)	S 89°48'18" E

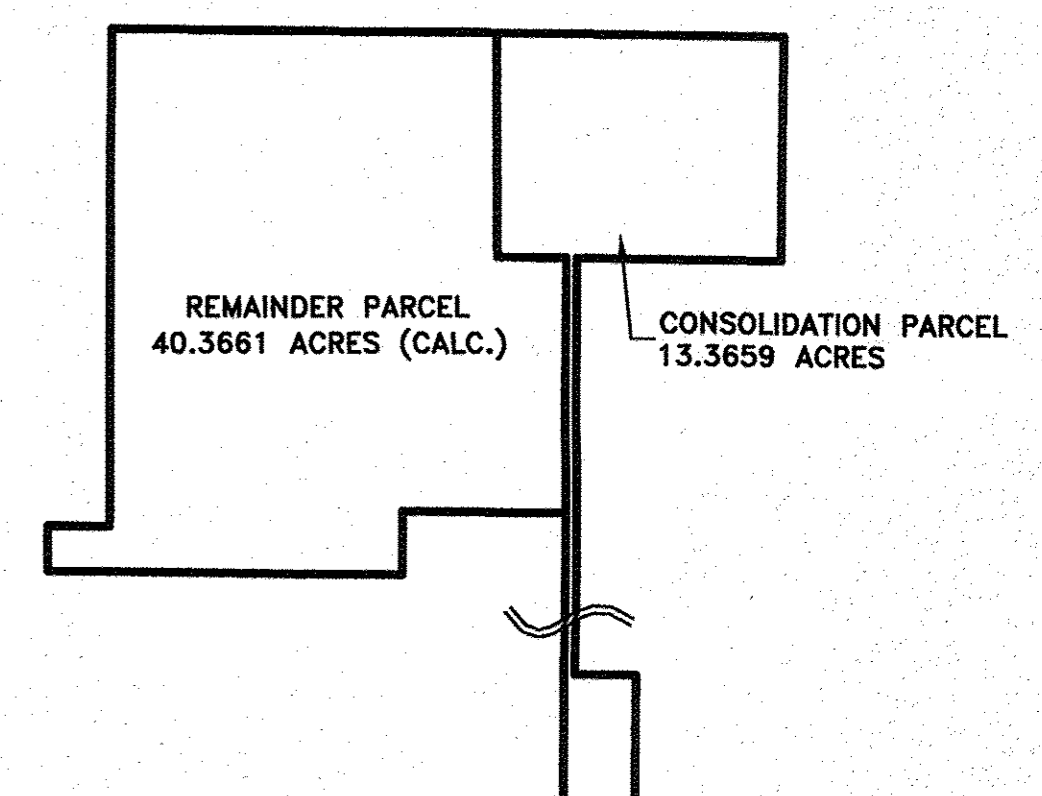
APPROVED
 LORAIN COUNTY
 MARCH 2019
 DATE: 1-21-20
 PAGE: 16-00-087
 BY: B. MAINES
 #20 04082



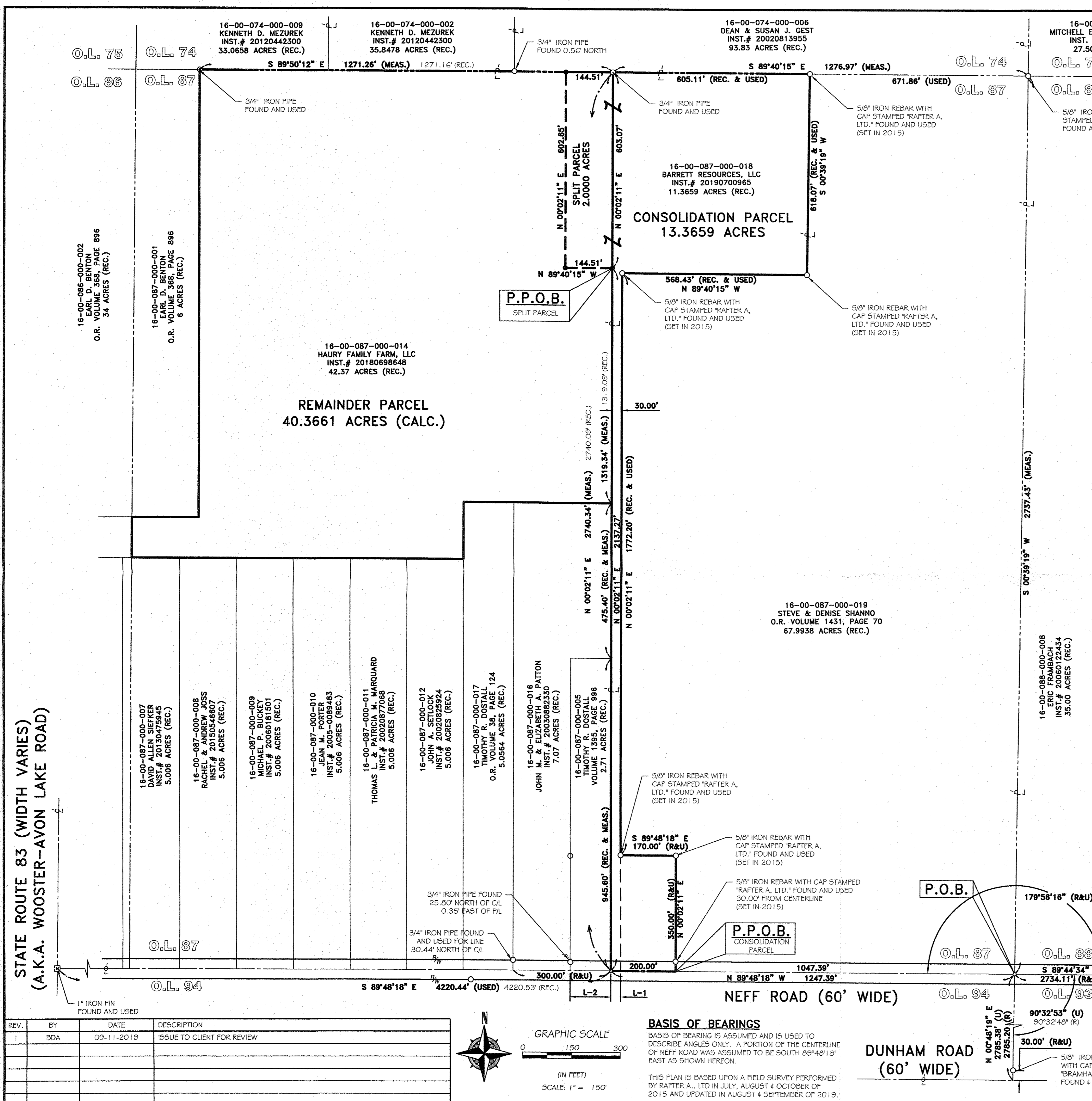
PRE-SPLIT PARCEL SUMMARY
 -NOT TO SCALE-



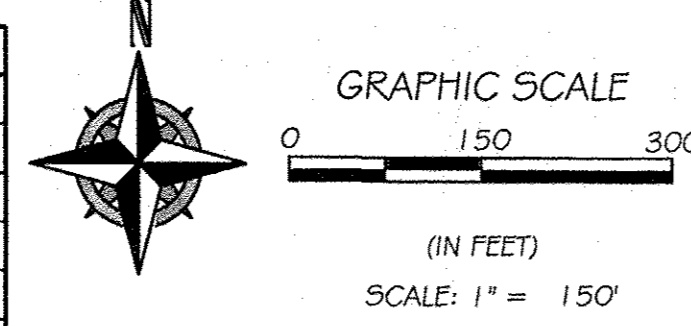
POST-SPLIT PARCEL SUMMARY
 -NOT TO SCALE-



POST CONSOLIDATION PARCEL SUMMARY
 -NOT TO SCALE-



REV.	BY	DATE	DESCRIPTION
1	BDA	09-11-2019	ISSUE TO CLIENT FOR REVIEW



BASIS OF BEARINGS
 BASIS OF BEARING IS ASSUMED AND IS USED TO DESCRIBE ANGLES ONLY. A PORTION OF THE CENTERLINE OF NEFF ROAD WAS ASSUMED TO BE SOUTH 89°48'18" EAST AS SHOWN HEREON.
 THIS PLAN IS BASED UPON A FIELD SURVEY PERFORMED BY RAFTER A., LTD IN JULY, AUGUST & OCTOBER OF 2015 AND UPDATED IN AUGUST & SEPTEMBER OF 2019.

DUNHAM ROAD (60' WIDE)

LOT-SPLIT SURVEY
 SITUATED IN THE TOWNSHIP OF GRAFTON, COUNTY OF LORAIN, STATE OF OHIO AND BEING PART OF ORIGINAL GRAFTON TOWNSHIP SECTION NUMBER 87

BARRETT RESOURCES, LLC
 35300 NEFF ROAD
 GRAFTON, OHIO 44044

RAFTER A, LTD
 LAND SURVEYING & ENGINEERING
 Office: 440-458-6294
 Fax: 440-458-4483
 www.RafterA.com
 10980 LaGrange Road
 Elyria, Ohio 44035

DRAWN BY: BDA
 JOB No: 2341-19

CHECKED BY: JAD
 SHEET 1 of 1