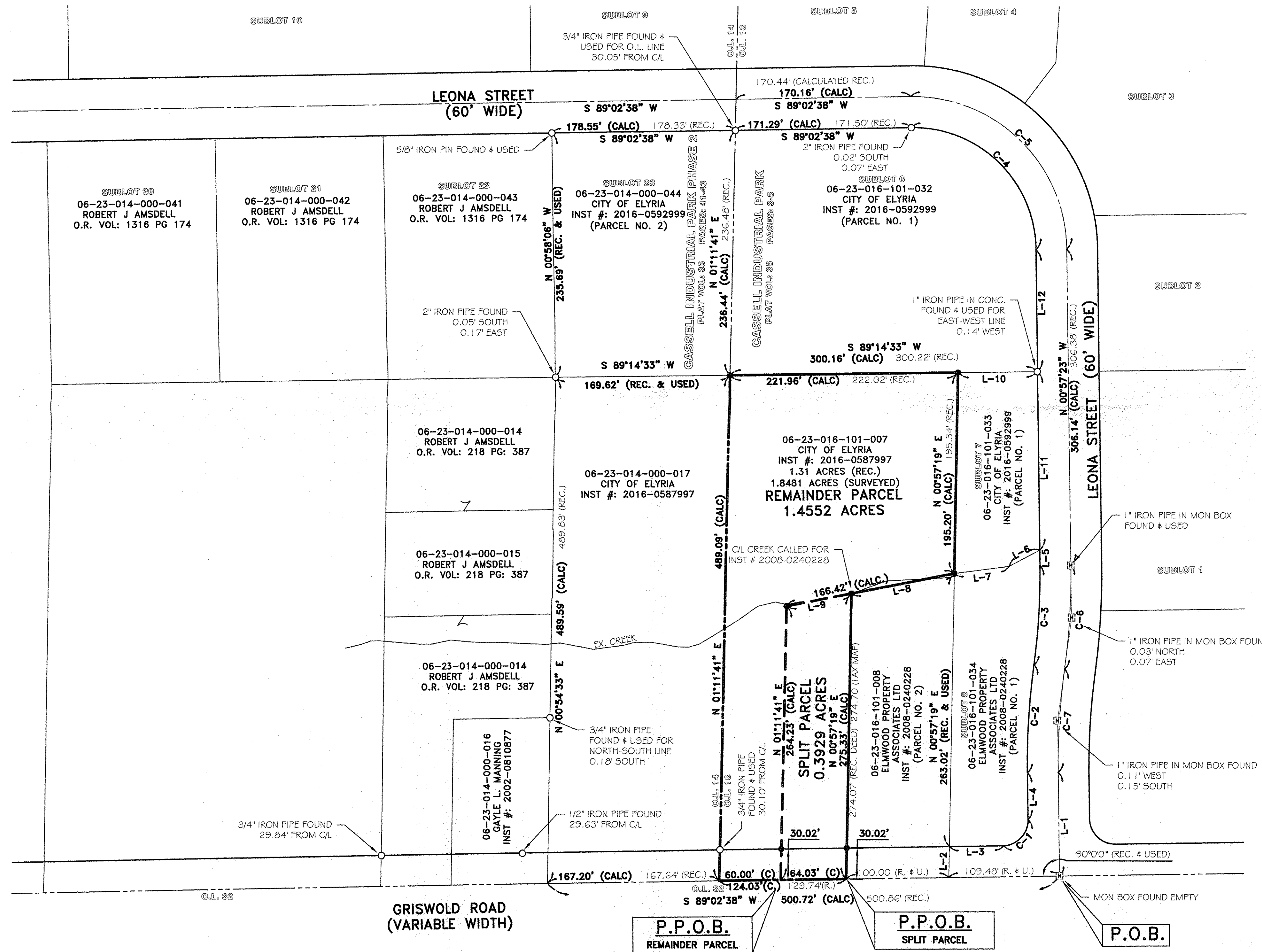


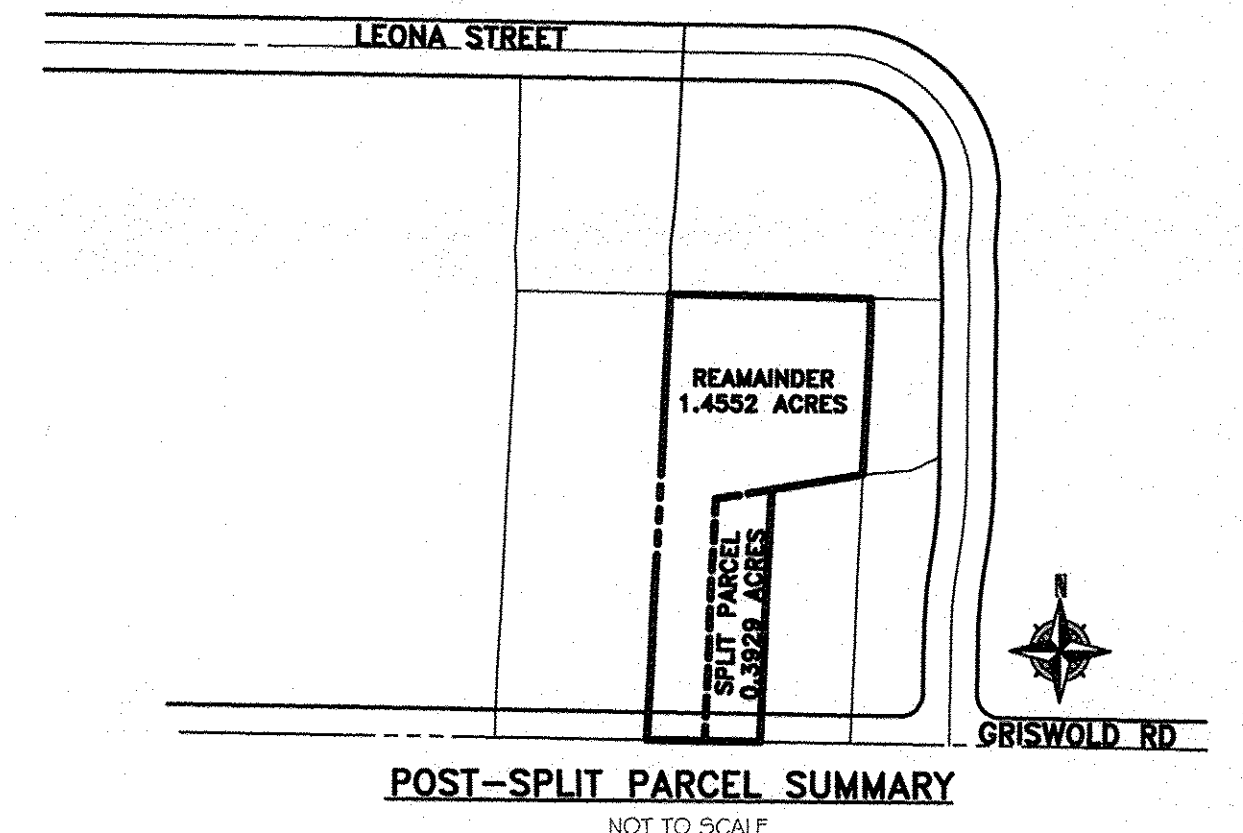
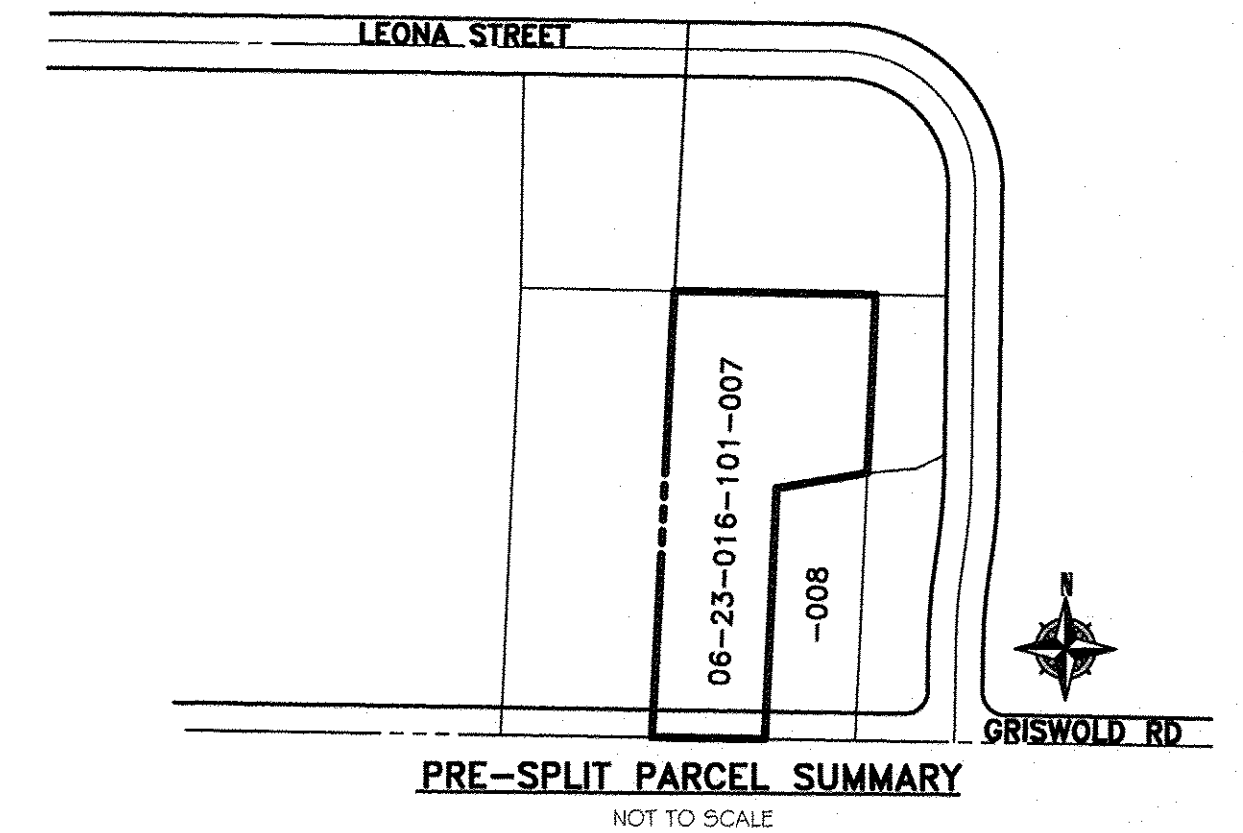
LOT-SPLIT FOR THE CITY OF ELYRIA

SITUATED IN THE CITY OF ELYRIA, COUNTY OF LORAIN, STATE OF OHIO, KNOWN AS BEING PART OF ORIGINAL ELYRIA TOWNSHIP LOT No. 16, BRACE TRACT.



LINE	LENGTH	BEARING
L-1	100.00' (R. & U.)	N 00°57'22" W
L-2	30.02' (R. & U.)	N 00°57'19" E
L-3	53.48' (R. & U.)	N 89°02'38" E
L-4	45.00' (R. & U.)	N 00°57'22" W
L-5	15.00' (R. & U.)	N 00°57'22" W
L-6	33.54' (R. & U.)	S 62°28'49" W
L-7	55.04' (R. & U.)	S 82°47'20" W
L-8	102.14' (C) 102.27± (R)	S 79°03'51" W
L-9	64.28' (C)	S 79°03'51" W
L-10	78.20' (R. & U.)	S 89°14'33" W
L-11	173.83' (C) 173.94' (R)	N 00°57'23" W
L-12	117.32' (C) 117.44' (R)	N 00°57'23" W

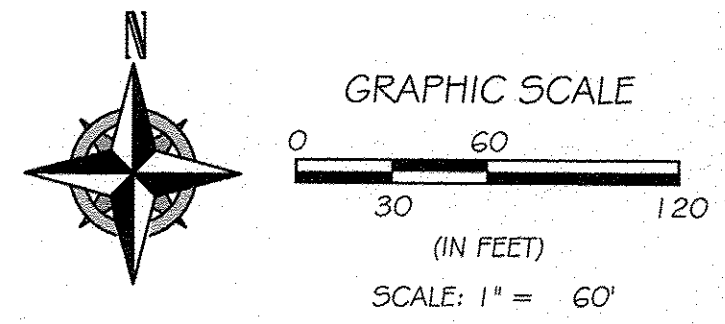
CURVE	ARC RADIUS	CHORD BEARING
C-1	39.27' (R.&U.) 25.00' (R.&U.)	35.36 (R.&U.) N 44°02'38" E
C-2	104.33' (R.&U.) 692.89' (R.&U.)	104.23 (R.&U.) N 03°21'27" E
C-3	95.29' (R.&U.) 632.89' (R.&U.)	95.20 (R.&U.) N 03°21'27" E
C-4	188.50' (R.&U.) 120.00' (R.&U.)	169.71 (R.&U.) N 45°57'23" W
C-5	235.62' (R.&U.) 150.00' (R.&U.)	212.13 (R.&U.) N 46°02'26" W
C-6	99.81' (R.&U.) 662.89' (R.&U.)	99.72 (R.&U.) N 03°21'27" E
C-7	99.81' (R.&U.) 662.89' (R.&U.)	99.72 (R.&U.) N 03°21'27" E



APPROVED BY PLANNING COMMISSION
CITY OF ELYRIA, OH
NO FLAT REQUIRED
DATE 12-12-19

12-19-19
6-23-016
P. MAINES
#19-04069
06-23-016-101-055
-056

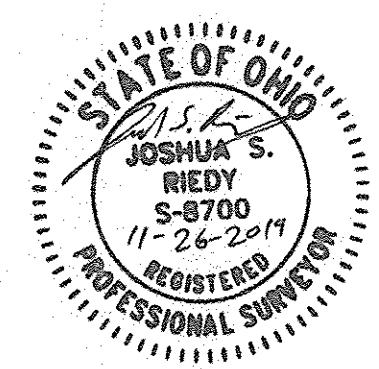
- LEGEND:**
- IRON PIN/PIPE FOUND AS NOTED
 - REBAR SET WITH CAP STAMPED "Rafter A LTD"
 - MONUMENT BOX FOUND AS NOTED



REV.	BY	DATE	DESCRIPTION
1	JSR	11-26-2019	ISSUE TO CLIENT

BASIS OF BEARINGS
BASIS OF BEARING IS A PORTION THE CENTERLINE OF GRISWOLD ROAD WHICH IS ASSUMED TO BE S 89°02'38" W AND IS USED TO DESCRIBE ANGLES ONLY.
THIS PLAN IS BASED UPON A FIELD SURVEY PERFORMED BY RAFTER A., LTD IN JULY OF 2019.

- REFERENCES USED**
- SUBJECT & ADJACENT PARCEL RECORDINGS AS LISTED HEREON
 - LORAIN COUNTY TAX MAPS
 - PLAT OF SURVEY (ANNEXATION MAP) PREPARED BY KS ASSOCIATES, SEPT. 17, 2001 FOR CITY OF ELYRIA
 - PLAT OF SURVEY (ANNEXATION MAP) PREPARED BY KS ASSOCIATES, JAN. 19, 2000 FOR CITY OF ELYRIA



**LOT-SPLIT
FOR THE CITY OF ELYRIA**
SITUATED IN THE CITY OF ELYRIA, COUNTY OF LORAIN, STATE OF OHIO, AND KNOWN AS BEING PART OF ORIGINAL ELYRIA TOWNSHIP LOT No. 16, BRACE TRACT.
CITY OF ELYRIA
131 COURT STREET, SUITE 303
ELYRIA, OHIO 44035

RAFTER A, LTD
LAND SURVEYING & ENGINEERING
Office: 440-458-6294
Fax: 440-458-4483
www.RafterA.com
10980 LaGrange Road
Elyria, Ohio 44035
DRAWN BY: JSR
CHECKED BY: RAF
JOB No: 2228A-19
SHEET 1 of 1