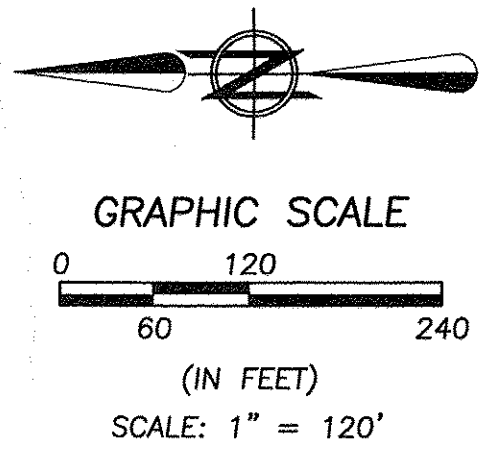


04-00-028-101-123  
-124

11-18-19  
A-00-028  
R. MAINES  
#19-04049

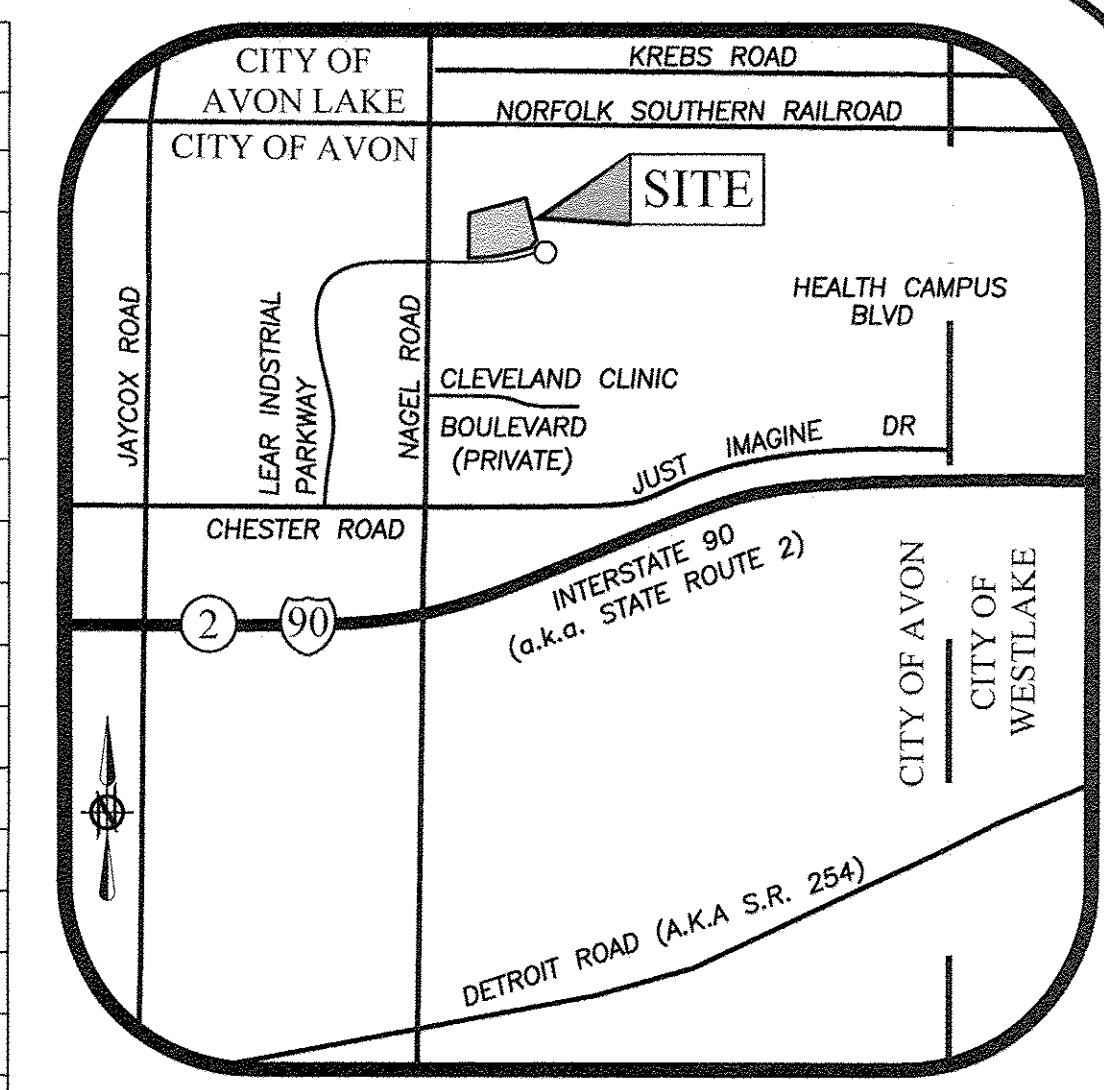


# LOT SPLIT SURVEY

SITUATED IN THE CITY OF AVON, COUNTY OF LORAIN, STATE OF OHIO AND KNOWN AS BEING PART OF ORIGINAL AVON TOWNSHIP SECTION NUMBER 28.

LINE	LENGTH	DIRECTION
L1	51.00'	S 89°28'30" E
L2	70.00'	S 89°42'16" E
L3	70.00'	N 00°31'30" E
L4	19.00'	N 89°28'30" W
L5	85.45'	N 44°59'54" W
L6	76.33'	S 71°47'00" W
L7	7.72'	N 87°25'42" W
L8	65.34'	N 87°25'42" W
L9	64.64'	N 47°17'04" W
L10	80.06'	N 01°37'21" W
L11	40.00'	N 00°31'30" E

CURVE TABLE						
CURVE	LENGTH	RADIUS	CHORD	BEARING	TANGENT	DELTA
C1	47.12'	30.00'	42.43'	S 44°28'30" E	30.00'	90°00'00"
C2	422.66'	1560.00'	421.36'	N 82°45'48" E	212.63'	15°31'24"
C3	30.07'	30.00'	28.82'	N 46°17'28" E	16.43'	57°25'16"
C4	69.75'	100.00'	68.34'	S 37°33'44" W	36.36'	39°57'48"
C5	264.74'	1640.00'	264.45'	N 79°37'34" E	132.66'	9°14'56"
C6	78.44'	100.00'	76.45'	S 80°00'58" W	41.36'	44°56'39"
C7	32.73'	30.00'	31.13'	N 46°15'19" W	18.21'	62°30'50"
C8	109.11'	100.00'	103.77'	N 46°15'18" W	60.70'	62°30'49"
C9	89.66'	100.00'	86.69'	N 10°41'18" E	48.10'	51°22'23"
C10	36.95'	100.00'	36.74'	N 46°57'34" E	18.69'	21°10'10"
C11	130.69'	100.00'	121.58'	S 85°01'00" E	76.56'	74°52'43"
C12	30.07'	30.00'	28.82'	S 76°17'16" E	16.43'	57°25'16"
C13	444.33'	1640.00'	442.97'	N 82°45'48" E	223.54'	15°31'24"
C14	142.17'	400.00'	141.42'	S 79°17'34" E	71.84'	20°21'51"
C15	45.02'	400.00'	45.00'	S 72°20'07" E	22.53'	06°26'56"
C16	433.49'	1600.00'	432.17'	N 82°45'48" E	218.08'	15°31'24"
C17	47.12'	30.00'	42.43'	N 45°31'30" E	30.00'	90°00'00"



LOCATION MAP  
-NOT TO SCALE-

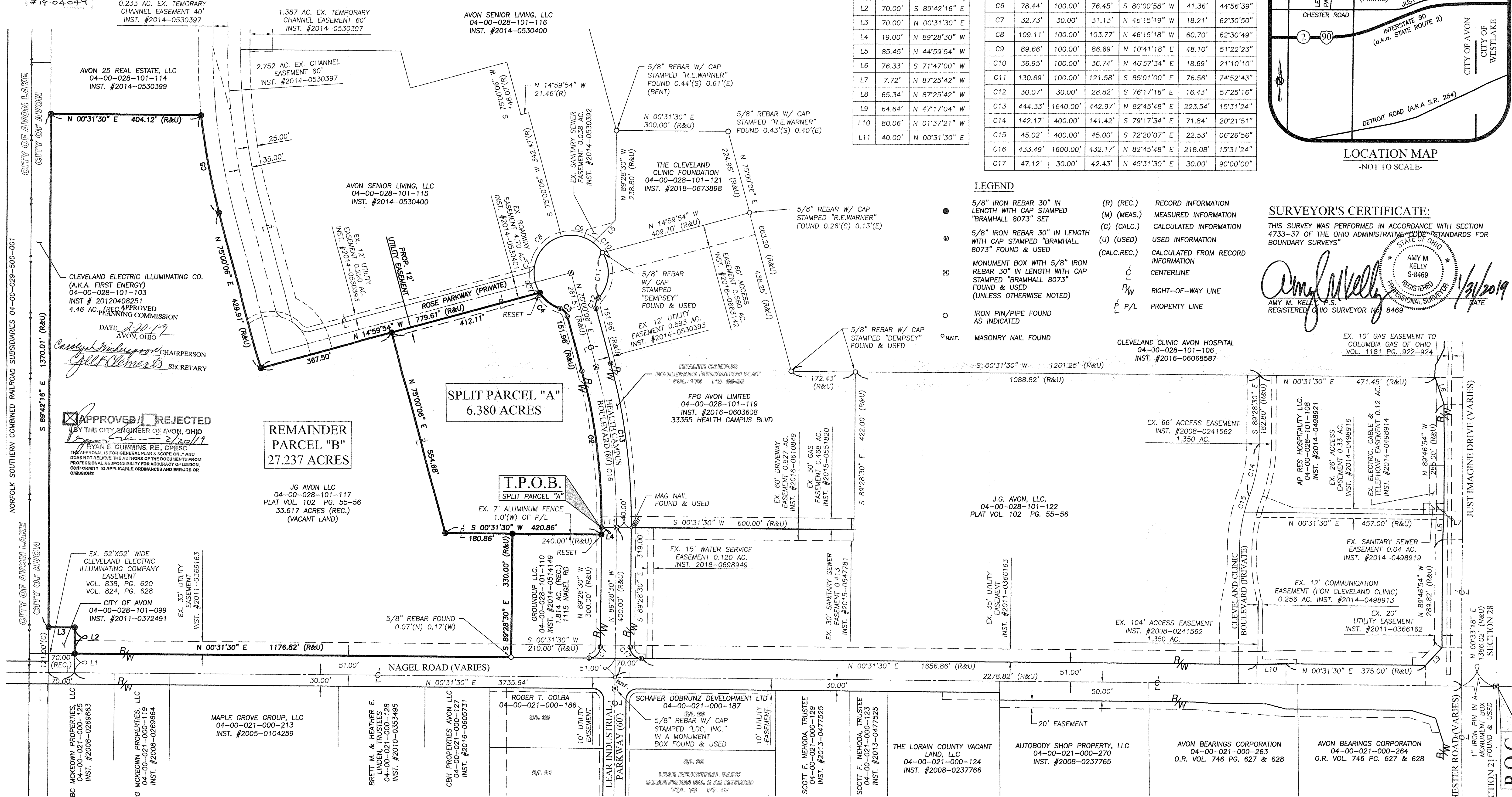
### LEGEND

- 5/8" IRON REBAR 30" IN LENGTH WITH CAP STAMPED "BRAMHALL 8073" SET
- ⊙ 5/8" IRON REBAR 30" IN LENGTH WITH CAP STAMPED "BRAMHALL 8073" FOUND & USED
- ⊠ MONUMENT BOX WITH 5/8" IRON REBAR 30" IN LENGTH WITH CAP STAMPED "BRAMHALL 8073" FOUND & USED (UNLESS OTHERWISE NOTED)
- IRON PIN/PIPE FOUND AS INDICATED
- M.F. MASONRY NAIL FOUND
- (R) (REC.) RECORD INFORMATION
- (M) (MEAS.) MEASURED INFORMATION
- (C) (CALC.) CALCULATED INFORMATION
- (U) (USED) USED INFORMATION
- (CALC.REC.) CALCULATED FROM RECORD INFORMATION
- C CENTERLINE
- R/W RIGHT-OF-WAY LINE
- P/L PROPERTY LINE

### SURVEYOR'S CERTIFICATE:

THIS SURVEY WAS PERFORMED IN ACCORDANCE WITH SECTION 4733-37 OF THE OHIO ADMINISTRATIVE CODE STANDARDS FOR BOUNDARY SURVEYS"

AMY M. KELLY  
REGISTERED PROFESSIONAL SURVEYOR  
NO. 8469  
DATE 1/31/2019



### REFERENCES

- LORAIN COUNTY TAX MAP RECORDS.
- LORAIN COUNTY DEED RECORDS FOR SUBJECT, ADJACENT, & ADJOINING PARCELS.
- CENTER LINE SURVEY PLAT LOR-90-19.95 PLAT VOL. 45 PG. 49.
- BOUNDARY SURVEY P.P.M. 04-00-028-102-181 PREPARED BY POLARIS ENGINEERING & SURVEYING, DATED 01-18-2013.
- PARCEL A, B & C LOT SPLIT, PREPARED BY BRAMHALL ENGINEERING & SURVEYING, DATED 11-24-2014.
- HEALTH CAMPUS BOULEVARD DEDICATION PLAT PREPARED BY BRAMHALL ENGINEERING & SURVEYING, DATED 10-19-2015, VOLUME 102 PAGE 55-56.
- LOT SPLIT PLAT 4.1987 ACRES PREPARED BY R.W. WARNER, DATED 01-20-2014.
- LOT SPLIT PLAT 51.826 ACRES PREPARED BY R.E. WARNER, DATED 10-07-2014.
- LOT SPLIT SURVEY SPLIT PARCEL 2.122 ACRES BY BRAMHALL ENGINEERING & SURVEYING, DATED 03-02-2018.

### BASIS OF BEARINGS:

A PORTION OF THE CENTERLINE OF NAGEL ROAD AS SHOWN ON ODOT R/W PLANS LOR-90-22.26 NORTH 00° 31' 30" EAST

AS SURVEYED BY BRAMHALL ENGINEERING & SURVEYING COMPANY IN DECEMBER 2016 & OCTOBER 2018.

DRAWN BY: JAD  
CHECKED BY: AMK

**BRAMHALL**  
ENGINEERING AND SURVEYING COMPANY  
801 MOORE ROAD AVON, OHIO 44011  
(440) 934 - 7878 (440) 934 - 7879 FAX

SHEET 1 OF 1  
JOB NO. 18-4953A

J:\184953A\Drawings\SUBSIDIARIES\LOT SPLIT\18-4953A.LOT SPLIT.dwg, Plotted: Jan 16, 2019 - 4:16pm