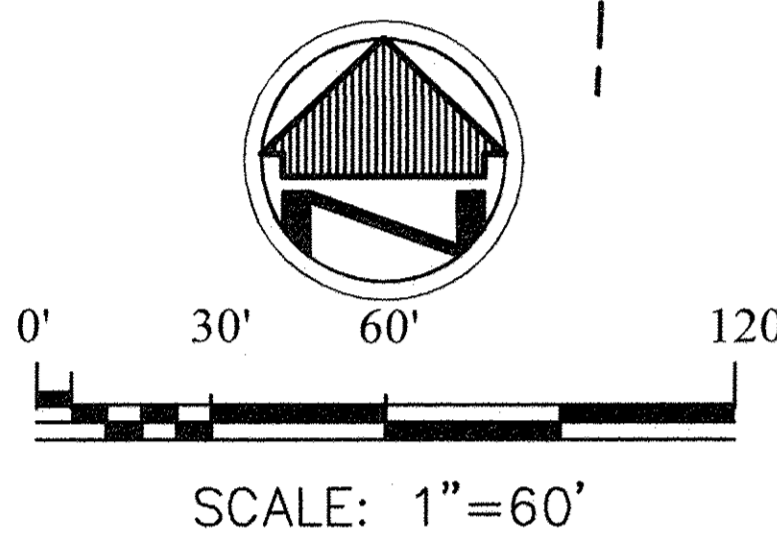
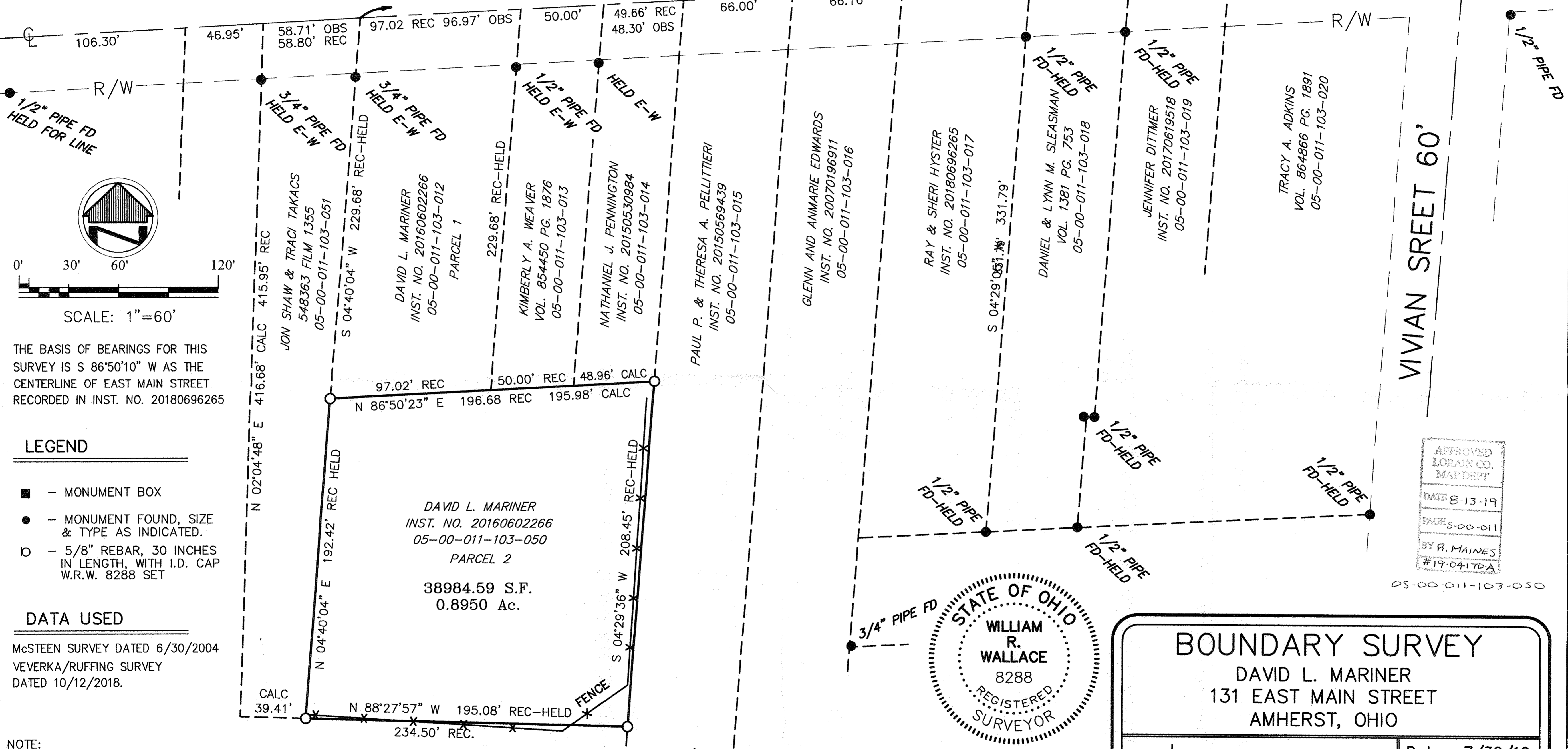


STATE OF OHIO, COUNTY OF LORAIN,  
 VILLAGE OF SOUTH AMHERST,  
 KNOWN AS BEING PART OF ORIGINAL  
 AMHERST TOWNSHIP LOT NO. 11

STATE ROUTE 113  
 E. MAIN STREET MILAN-ELYRIA ROAD 66'



THE BASIS OF BEARINGS FOR THIS SURVEY IS S 86°50'10" W AS THE CENTERLINE OF EAST MAIN STREET RECORDED IN INST. NO. 20180696265

- LEGEND**
- - MONUMENT BOX
  - - MONUMENT FOUND, SIZE & TYPE AS INDICATED.
  - - 5/8" REBAR, 30 INCHES IN LENGTH, WITH I.D. CAP W.R.W. 8288 SET

**DATA USED**

McSTEEN SURVEY DATED 6/30/2004  
 VEVERKA/RUFFING SURVEY DATED 10/12/2018.

**NOTE:**  
 DIMENSIONS SHOWN HEREON ARE GIVEN IN FEET AND DECIMAL PARTS THEREOF.  
 THIS SURVEY WAS PREPARED WITHOUT BENEFIT OF A TITLE REPORT AND NO SEARCH OF THE PUBLIC RECORDS WAS MADE FOR EASEMENTS, RIGHT-OF-WAYS & ETC.

CHARLES D & CLABERN JR PHILLIPS  
 VOL. 00311 PG. 925  
 05-00-011-103-029

I HEREBY DECLARE THAT I HAVE SURVEYED THE LAND SHOWN ON THIS PLAT, AND HAVE FOUND OR SET THE PINS AND MONUMENTS SHOWN ON THIS PLAT.

*William R. Wallace* 8/2/19

WILLIAM R. WALLACE REG. NO. 8288 DATE  
 W. R. WALLACE LLC LAND SURVEYING SERVICES



APPROVED  
 LORAIN CO. MAP DEPT  
 DATE 8-13-19  
 PAGE 5-00-011  
 BY B. MAINES  
 #19-04170A

05-00-011-103-050

**BOUNDARY SURVEY**  
 DAVID L. MARINER  
 131 EAST MAIN STREET  
 AMHERST, OHIO

W.R. WALLACE LLC  
 Land Surveying Services  
 1077 Middlefield Trail  
 Brunswick, Ohio 44212  
 (330) 220-8581  
 www.wrwallacesurvey.com

Date: 7/30/19
By: WSF
Scale: 1"= 60'
Job: 2019012
Sheet 1 of 1