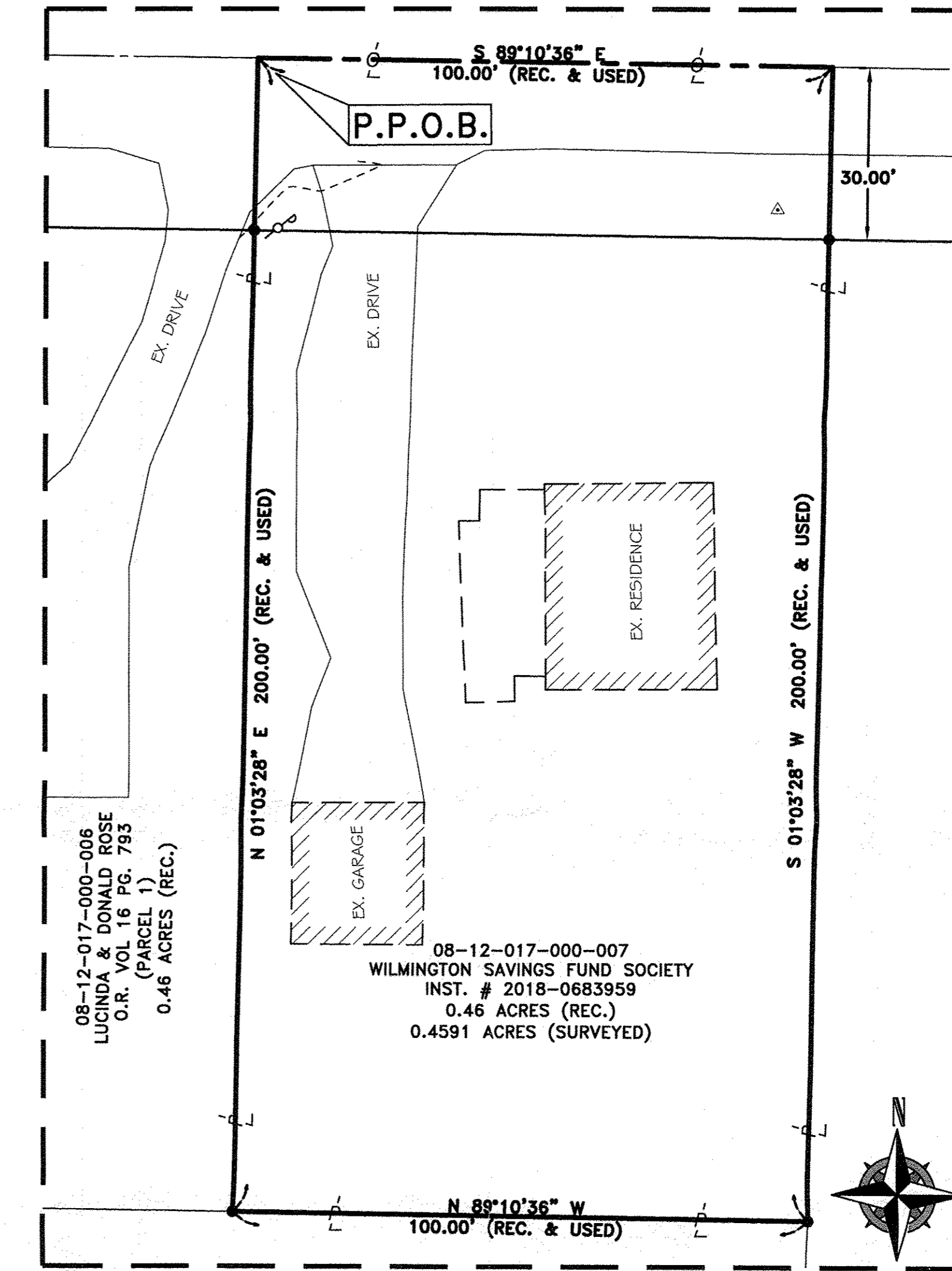
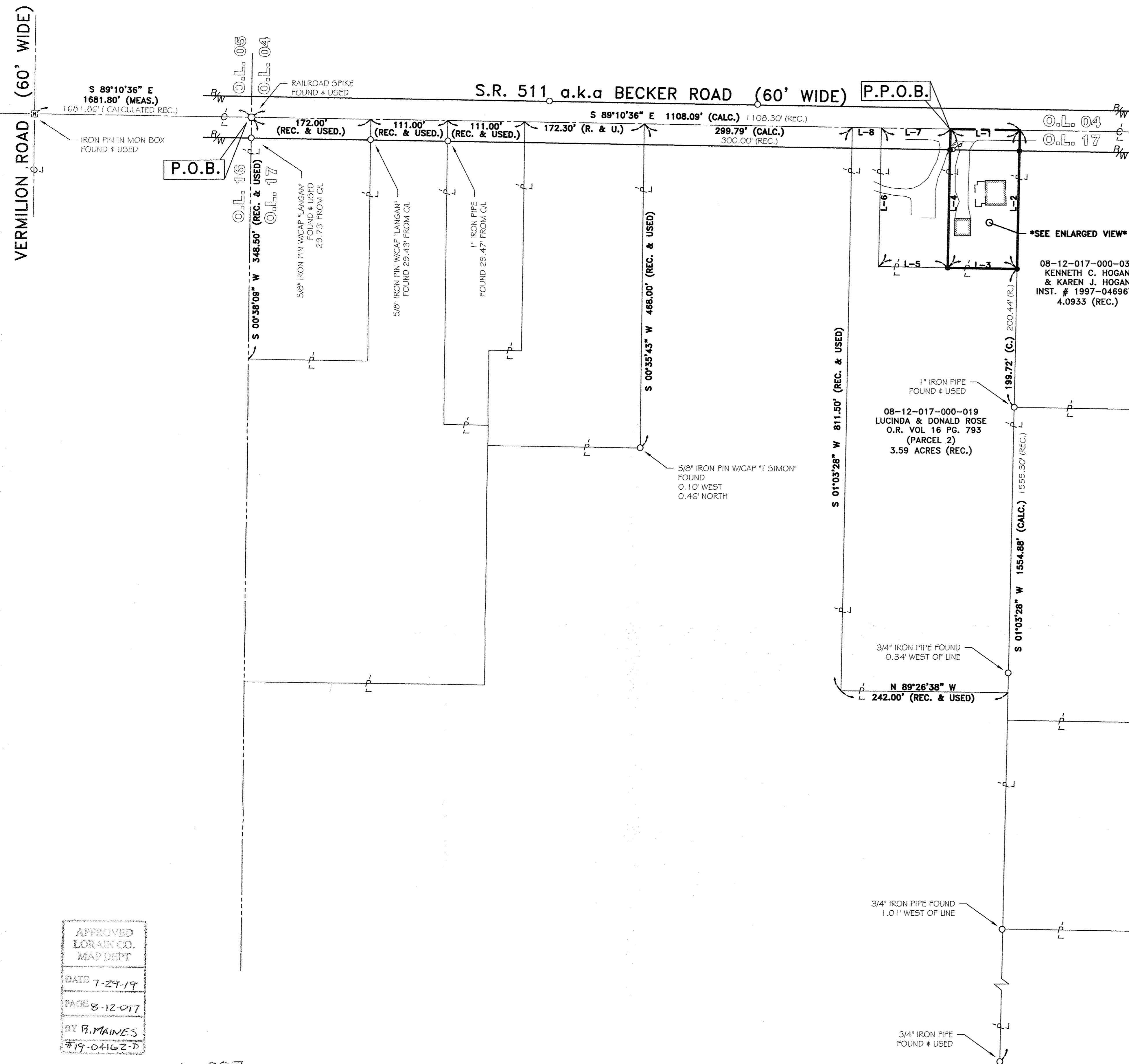


BOUNDARY SURVEY

FOR

SINGLE SOURCE PROPERTY SOLUTIONS
SITUATED IN THE TOWNSHIP OF HENRIETTA, COUNTY OF LORAIN, STATE OF OHIO, AND KNOWN AS BEING PART OF ORIGINAL HENRIETTA TOWNSHIP LOT NUMBER 17 TRACT NUMBER 12.



LINE REFERENCE TABLE		
L-1	100.00' (R&U)	S 89°10'36" E
L-2	200.00' (R&U)	S 01°03'28" W
L-3	100.00' (R&U)	N 89°10'36" W
L-4	200.00' (R&U)	N 01°03'28" E
L-5	100.00' (R&U)	N 89°10'36" W
L-6	200.00' (R&U)	N 01°03'28" E
L-7	100.00' (R&U)	S 89°10'36" E
L-8	42.00' (R&U)	N 89°10'36" W

APPROVED
LORAIN CO.
MAP DEPT
DATE 7-29-19
PAGE 8-12-017
BY P. MAINES
#19-04162-D

08-12-017-000-007

REV.	BY	DATE	DESCRIPTION
1	JSR	07-02-2019	ISSUE TO CLIENT

REFERENCES USED

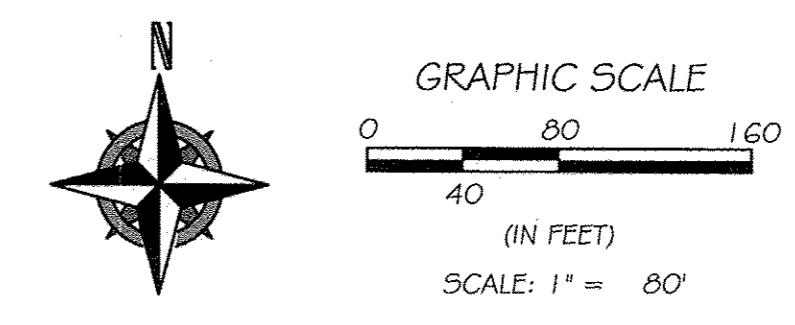
- SUBJECT & ADJACENT PARCEL RECORDINGS AS LISTED HEREON
- LORAIN COUNTY TAX MAPS
- PLAT OF SURVEY PREPARED BY THOMAS A. SIMON IN JANUARY, 2009 FOR MARGARET A. COATES
- PLAT OF SURVEY PREPARED BY RICHARD A. ROSEBECK ON AUGUST, 27TH 1993 FOR HUFNAGLE'S SUBDIVISION.
- PLAT OF SURVEY PREPARED BY MICHAEL G. HURA IN OCTOBER OF 1991 FOR MARGARET COATES.
- PLAT OF SURVEY PREPARED BY JOHN POZYWAK ON OCTOBER, 28 1991 FOR JOHN SHREVE.



BASIS OF BEARINGS

BASIS OF BEARING IS ASSUMED AND IS USED TO DESCRIBE ANGLES ONLY. A PORTION OF THE CENTERLINE OF STATE ROUTE 511 IS ASSUMED TO BE SOUTH 89°10'36" EAST AS SHOWN HEREON.

THIS PLAN IS BASED UPON A FIELD SURVEY PERFORMED BY RAFTER A., LTD IN JUNE OF 2019.



- LEGEND:**
- IRON PIN/PIPE FOUND AS NOTED
 - REBAR SET WITH CAP STAMPED "Rafter A Ltd"
 - (LINE PINS = GREEN CAP, CORNER PINS = YELLOW CAP)
 - ☒ MONUMENT BOX FOUND WITH IRON PIN/PIPE FOUND AS NOTED
 - RAILROAD SPIKE FOUND AS NOTED

BOUNDARY SURVEY
SITUATED IN THE TOWNSHIP OF HENRIETTA, COUNTY OF LORAIN, STATE OF OHIO, AND KNOWN AS BEING PART OF ORIGINAL HENRIETTA TOWNSHIP LOT NUMBER 17 TRACT NUMBER 12.

SINGLE SOURCE PROPERTY SOLUTIONS
1000 NOBLE ENERGY DRIVE, SUITE 300
CANONSBURG, PA 15317

RAFTER A, LTD
LAND SURVEYING & ENGINEERING
Office: 440-458-6294
Fax: 440-458-4483
www.RafterA.com
10980 LaGrange Road
Elyria, Ohio 44035

DRAWN BY: JSR
JOB No: 2305-19

CHECKED BY: RAF
SHEET 1 of 1