

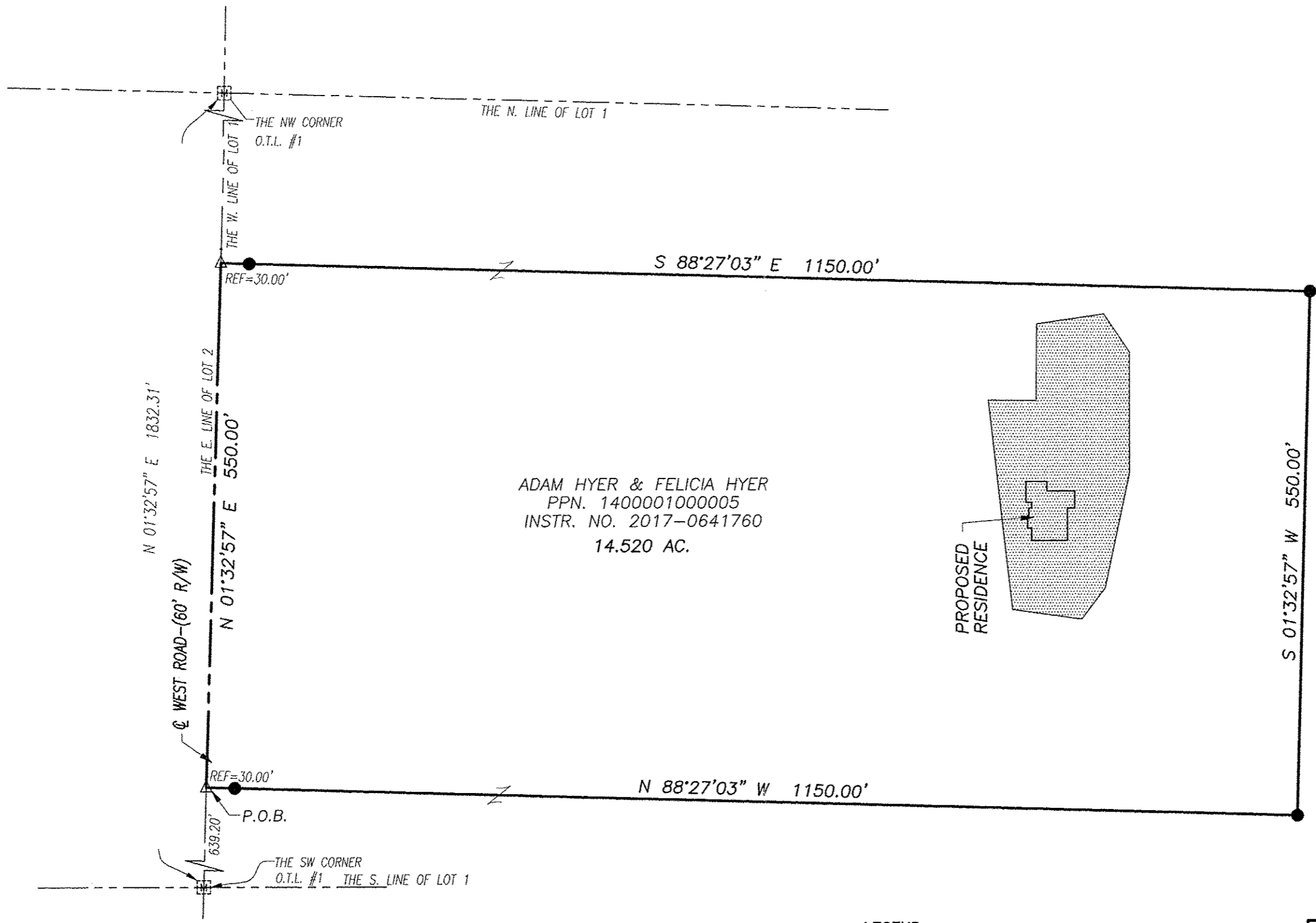
APPROVED
LORAIN CO.
MAP DEPT

DATE 7-5-19

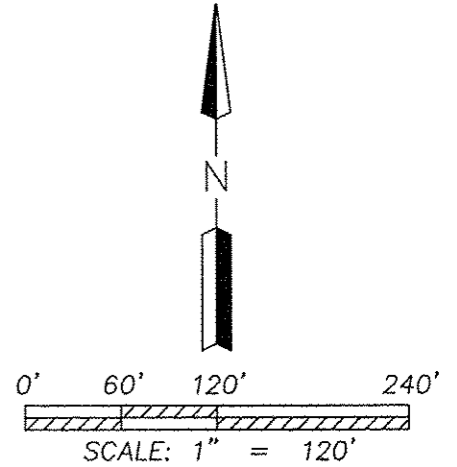
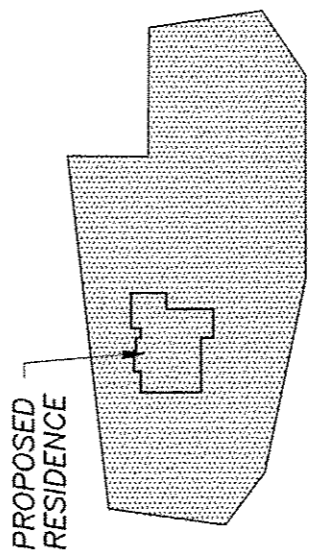
PAGE 14-00-001

BY R. MAINES

#19-03987



ADAM HYER & FELICIA HYER
PPN. 1400001000005
INSTR. NO. 2017-0641760
14.520 AC.



Distances shown hereon are expressed in feet and decimal parts thereof.

Bearings are to an assumed meridian and are used to express angles only.

CERTIFICATION: I hereby state that the foregoing survey was prepared from actual field measurements, in accordance with Chapter 4733-37, Ohio Administrative Code.

By: Nathaniel B. Ramsey, P.S. #8396 Date: 05/20/2019
For Ramsey Surveying



- LEGEND**
- ☐ IRON PIN FOUND IN MONUMENT BOX FOUND
 - △ MAGNAIL SPIKE SET
 - IRON PIN SET-5/8" REBAR SET WITH I.D. CAP STAMPED "RAMSEY S-8396"
 - O.T.L.=ORIGINAL TOWNSHIP LOT
 - ▨ AREA REMOVED FROM 100-YR FLOOD ZONE 0.824 AC.

RAMSEY SURVEYING
Professional Land Surveying Services
283 Eby Road
Shiloh, Ohio 44878
TEL (419) 512-2596 FAX (419) 522-0399
EMAIL nramsey@ramsey-surveying.com

SURVEY MADE FOR AND AT THE REQUEST OF ADAM HYER

BEING KNOWN AS PART OF
PITTSFIELD TOWNSHIP LOT #1,
LORAIN COUNTY, OHIO

DRAWN MBR	CHECKED NBR	SCALE 1" = 120'	DATE 05/20/2019
JOB NO: SM-5211_C			SHEET 1 OF 1