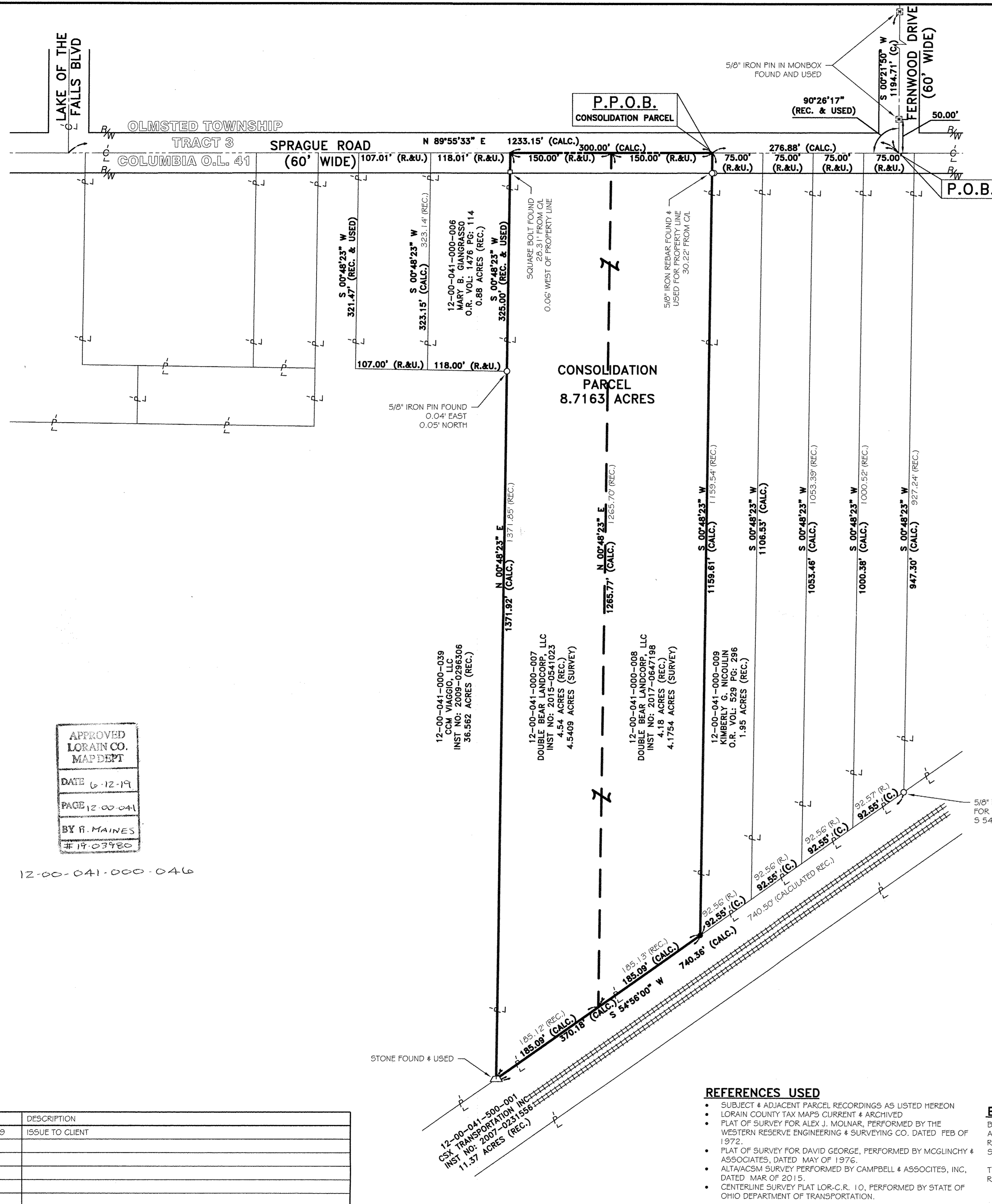


CONSOLIDATION SURVEY

FOR
DOUBLE BEAR LANDCORP, LLC
 SITUATED IN THE TOWNSHIP OF COLUMBIA, COUNTY OF LORAIN,
 STATE OF OHIO, AND KNOWN AS BEING PART OF ORIGINAL
 COLUMBIA TOWNSHIP LOT NUMBER 41.



APPROVED
 LORAIN CO.
 MAP DEPT

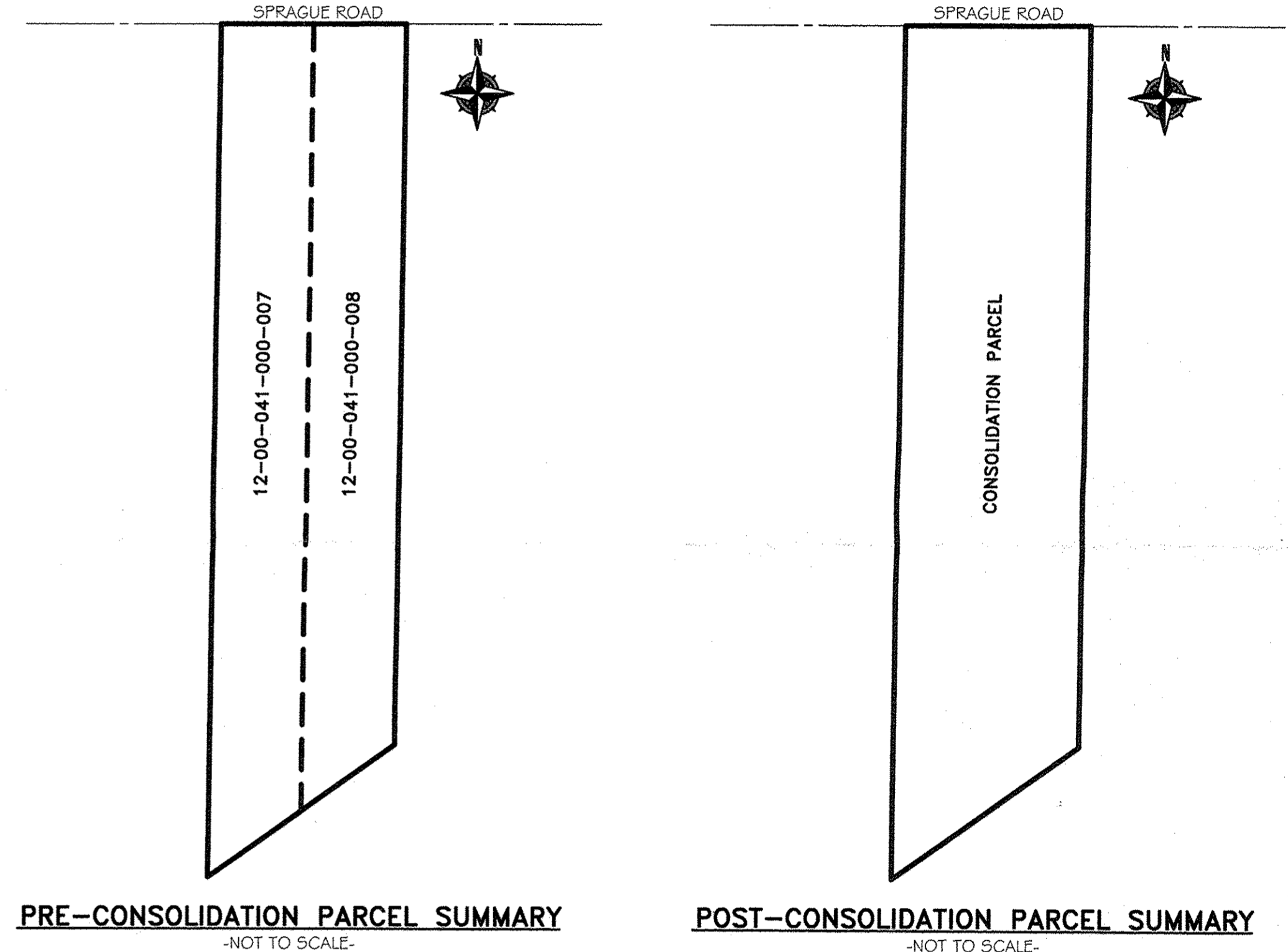
DATE 6-12-19

PAGE 12 OF 041

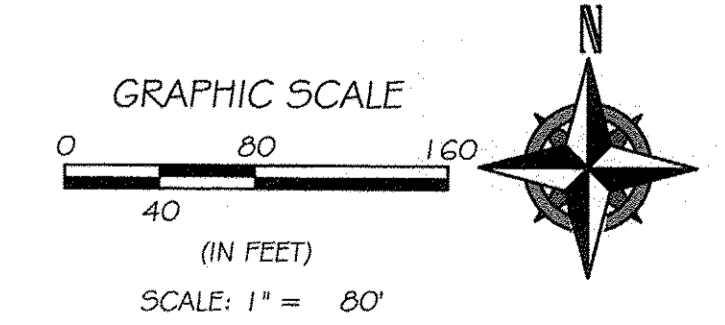
BY R. MAINES

1703780

12-00-041-000-046



- LEGEND:**
- IRON PIN/PIPE FOUND AS NOTED
 - REBAR SET WITH CAP STAMPED "Rafter A Ltd" (LINE PINS = GREEN, CORNER PINS = YELLOW)
 - ⊞ MONUMENT BOX FOUND
 - △ STONE FOUND
 - SQUARE BOLT FOUND



REV.	BY	DATE	DESCRIPTION
1	JSR	02-04-2019	ISSUE TO CLIENT

CONSOLIDATION SURVEY
 SITUATED IN THE TOWNSHIP OF COLUMBIA, COUNTY OF LORAIN,
 STATE OF OHIO, AND KNOWN AS BEING PART OF ORIGINAL
 COLUMBIA TOWNSHIP LOT NO. 41

DOUBLE BEAR LANDCORP, LLC
 25271 SPRAGUE ROAD
 COLUMBIA STATION, OHIO 44028

RAFTER A, LTD
 LAND SURVEYING & ENGINEERING

Office: 440-458-6294 700 Oberlin-Elyria Road
 Fax: 440-458-4483 Elyria, Ohio 44035
 www.RafterA.com

DRAWN BY: JSR CHECKED BY: RAF

JOB No: 1358B-18 SHEET 1 of 1