

07-00-033-102-025  
 07-00-039-000-084  
 07-00-040-000-151

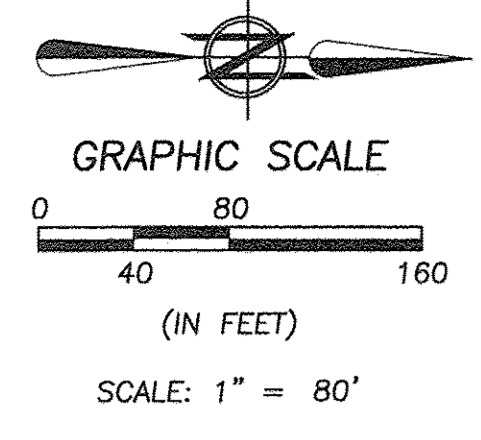
# LOT-SPLIT & CONSOLIDATION SURVEY

for  
**RIDGE MINERALS, LLC**

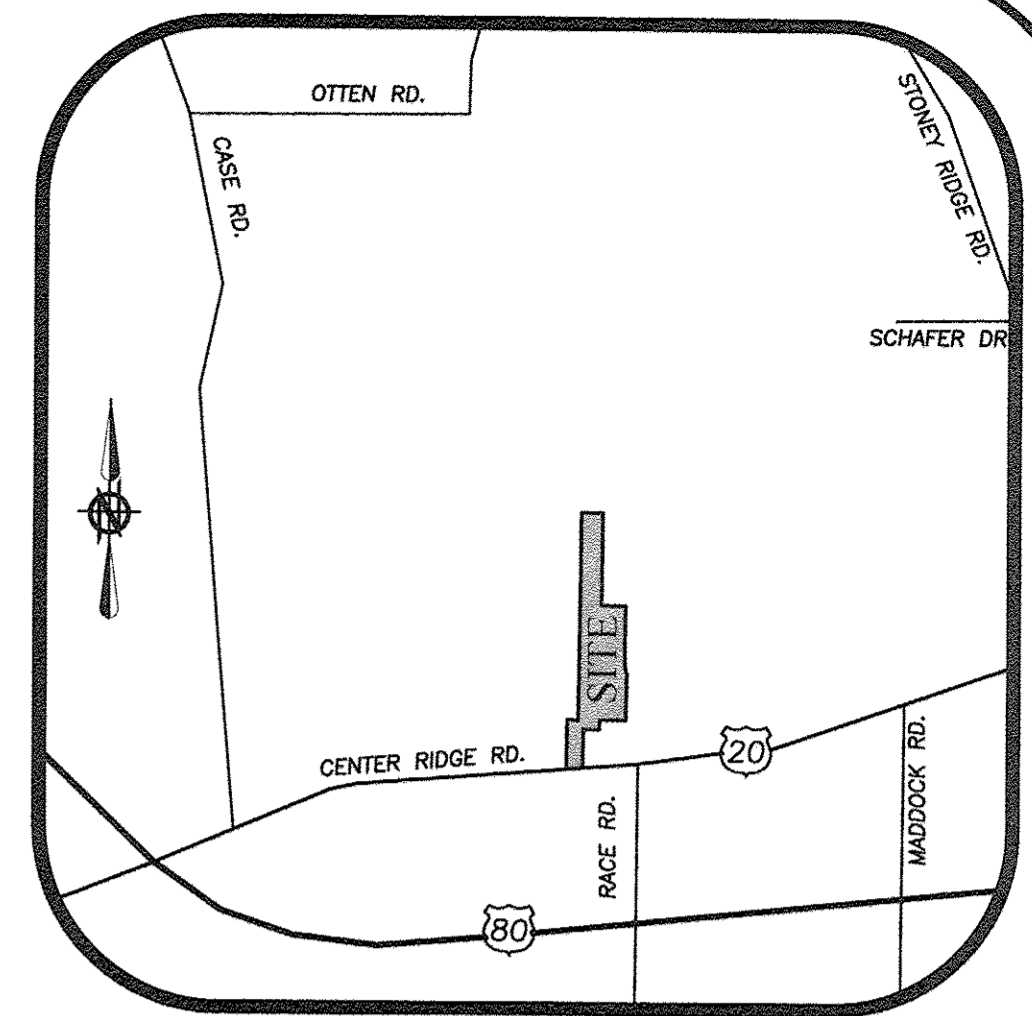
SITUATED IN THE CITY OF NORTH RIDGEVILLE, COUNTY OF LORAIN, STATE OF OHIO AND KNOWN AS BEING PART OF ORIGINAL RIDGEVILLE TOWNSHIP LOT NUMBERS 33, 39 & 40.

**BASIS OF BEARINGS:**  
 A PORTION OF THE CENTERLINE OF MEADOW LAKES BOULEVARD AS SHOWN ON THE MEADOW LAKES BOULEVARD VACATION & DEDICATION PLAT (P.V. 93, PG. 56), WHICH WAS ASSUMED TO BE NORTH 00° 48' 13" EAST

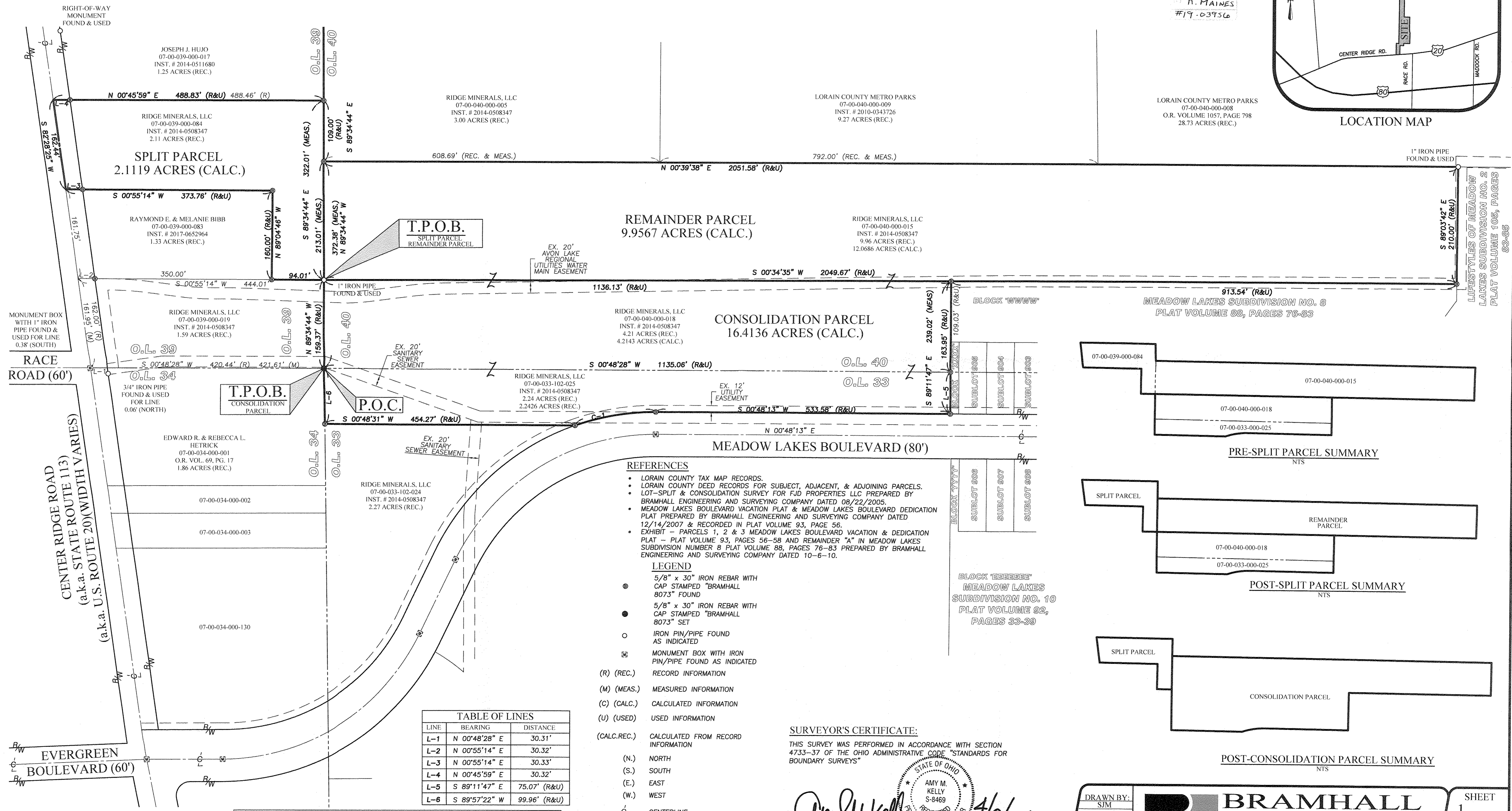
AS SURVEYED IN MAY & JULY OF 2005 & UPDATED MARCH 2019



APPROVED  
 L.S. # 19-03756  
 DATE 4-12-19  
 DATE 7-00-040  
 BY R. MAINES  
 #19-03756



LOCATION MAP



**REFERENCES**

- LORAIN COUNTY TAX MAP RECORDS.
- LORAIN COUNTY DEED RECORDS FOR SUBJECT, ADJACENT, & ADJOINING PARCELS.
- LOT-SPLIT & CONSOLIDATION SURVEY FOR FJD PROPERTIES LLC PREPARED BY BRAMHALL ENGINEERING AND SURVEYING COMPANY DATED 08/22/2005.
- MEADOW LAKES BOULEVARD VACATION PLAT & MEADOW LAKES BOULEVARD DEDICATION PLAT PREPARED BY BRAMHALL ENGINEERING AND SURVEYING COMPANY DATED 12/14/2007 & RECORDED IN PLAT VOLUME 93, PAGE 56.
- EXHIBIT - PARCELS 1, 2 & 3 MEADOW LAKES BOULEVARD VACATION & DEDICATION PLAT - PLAT VOLUME 93, PAGES 56-58 AND REMAINDER "A" IN MEADOW LAKES SUBDIVISION NUMBER 8 PLAT VOLUME 88, PAGES 76-83 PREPARED BY BRAMHALL ENGINEERING AND SURVEYING COMPANY DATED 10-6-10.

**LEGEND**

- 5/8" x 30" IRON REBAR WITH CAP STAMPED "BRAMHALL 8073" FOUND
- 5/8" x 30" IRON REBAR WITH CAP STAMPED "BRAMHALL 8073" SET
- IRON PIN/PIPE FOUND AS INDICATED
- ☒ MONUMENT BOX WITH IRON PIN/PIPE FOUND AS INDICATED
- (R) (REC.) RECORD INFORMATION
- (M) (MEAS.) MEASURED INFORMATION
- (C) (CALC.) CALCULATED INFORMATION
- (U) (USED) USED INFORMATION
- (CALC.REC.) CALCULATED FROM RECORD INFORMATION
- (N.) NORTH
- (S.) SOUTH
- (E.) EAST
- (W.) WEST
- C CENTERLINE
- R/W RIGHT-OF-WAY LINE
- P/L PROPERTY LINE

**SURVEYOR'S CERTIFICATE:**

THIS SURVEY WAS PERFORMED IN ACCORDANCE WITH SECTION 4733-37 OF THE OHIO ADMINISTRATIVE CODE, "STANDARDS FOR BOUNDARY SURVEYS"

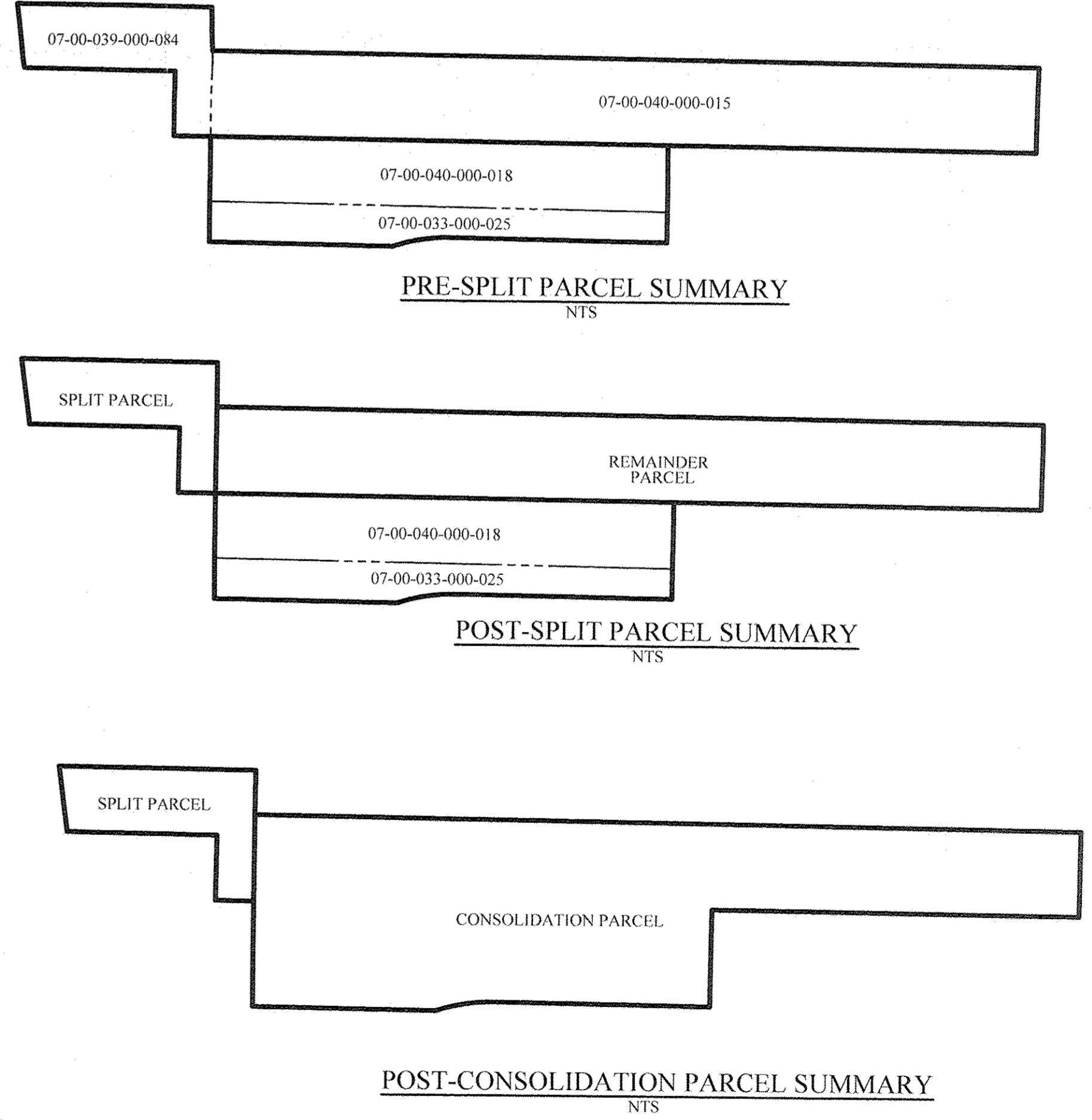
AMY M. KELLY, P.S.  
 REGISTERED OHIO SURVEYOR NO. 8469  
 4/9/2019

**TABLE OF LINES**

LINE	BEARING	DISTANCE
L-1	N 00°48'28" E	30.31'
L-2	N 00°55'14" E	30.32'
L-3	N 00°55'14" E	30.33'
L-4	N 00°45'59" E	30.32'
L-5	S 89°11'47" E	75.07' (R&U)
L-6	S 89°57'22" W	99.96' (R&U)

**PARCEL CURVE TABLE**

CURVE #	ARC LENGTH	RADIUS	CHORD LENGTH	CHORD DIRECTION	TANGENT	DELTA
C-1	148.53'	440.00'	147.83'	S 08°52'02" E	74.98'	19°20'31"



**BRAMHALL**  
 ENGINEERING AND SURVEYING COMPANY  
 801 MOORE ROAD AVON, OHIO 44011  
 (440) 934 - 7878 (440) 934 - 7879 FAX

SHEET 1 OF 1  
 JOB NO. 18-4949

J:\184949\Lot Split 2.1114 Acres (07-00-039-000-084)\DRAWINGS\18-4949 MASTER.dwg, Plotter: Apr 09, 2019, 8:38am