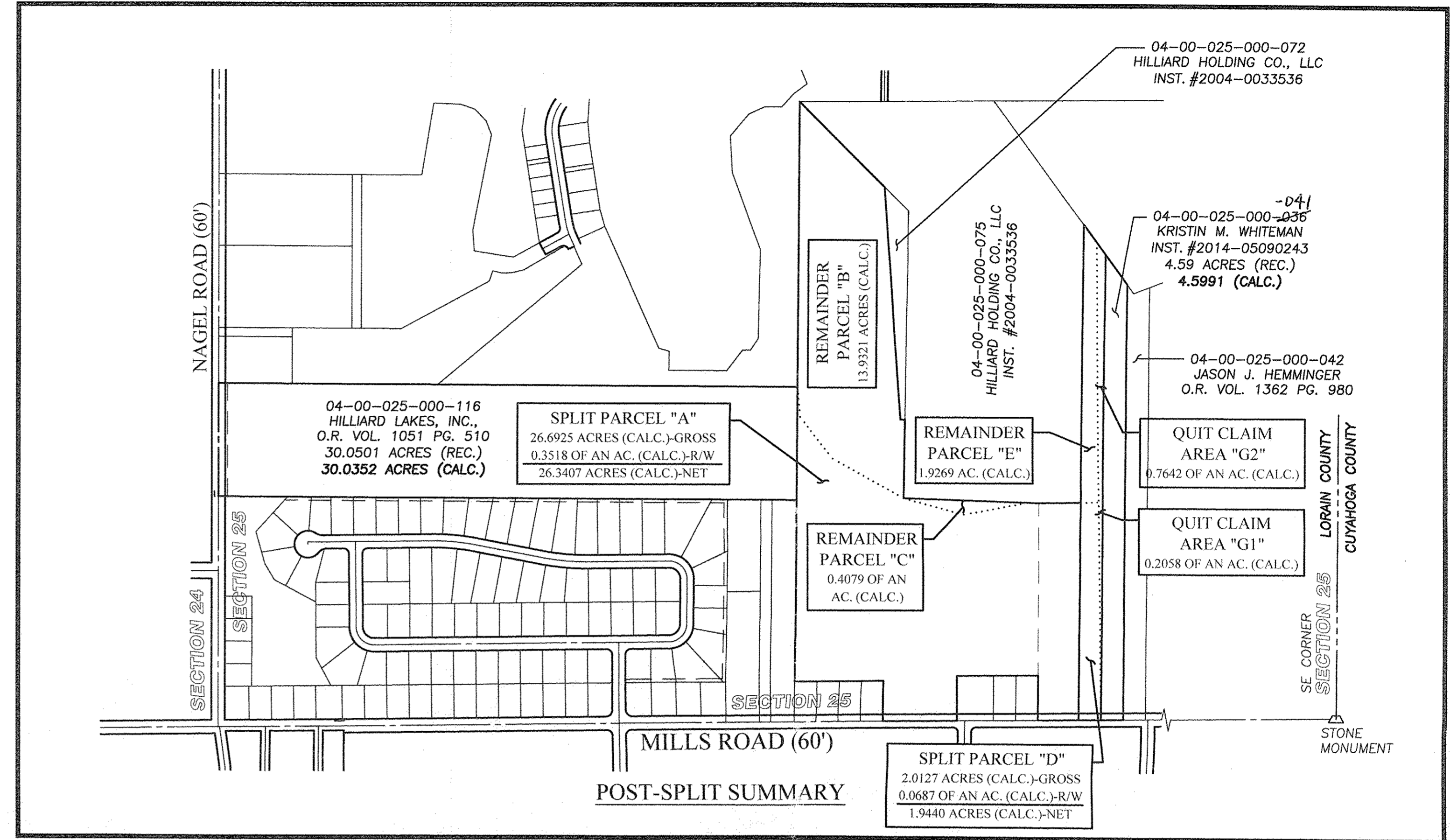
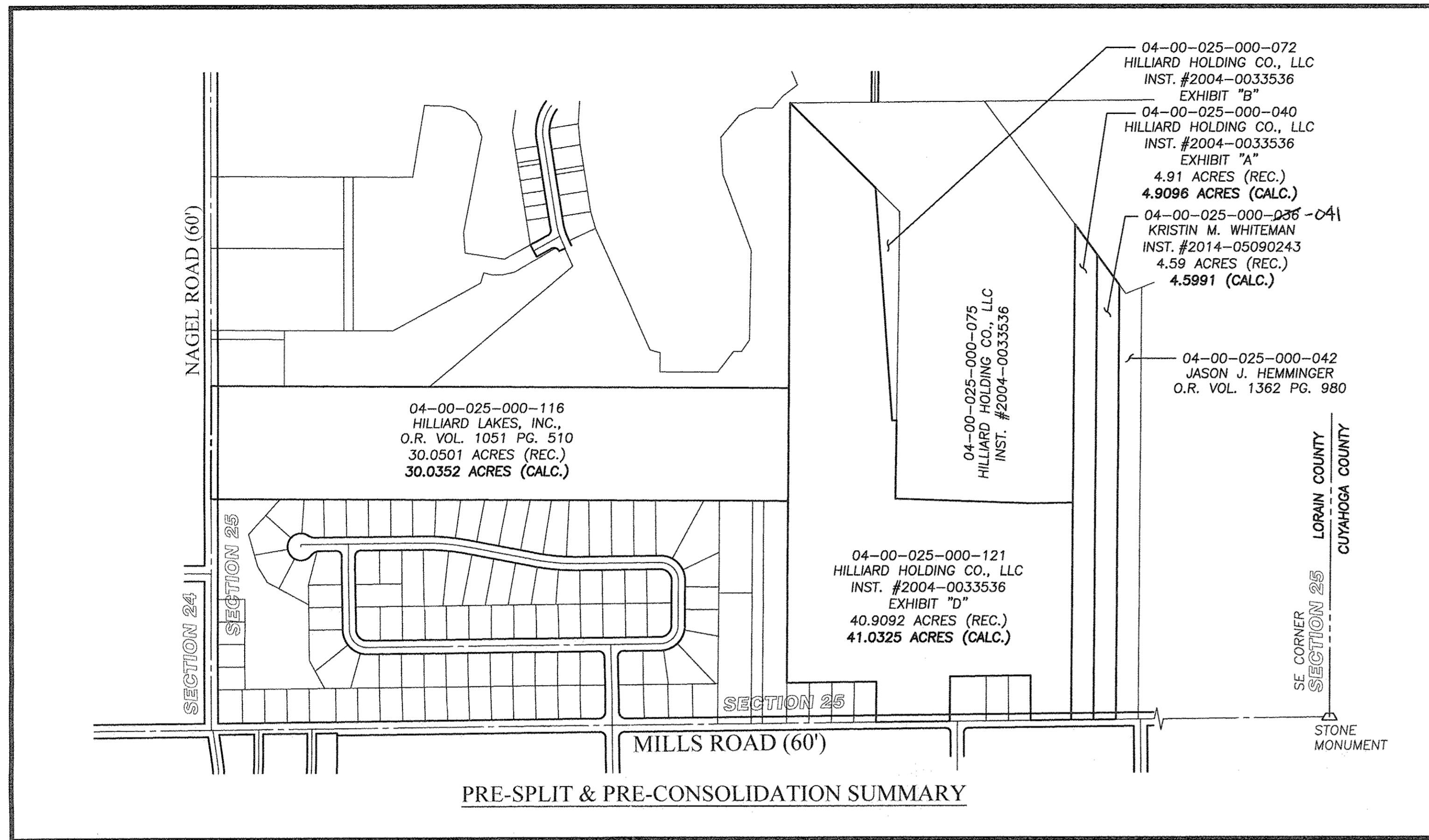


LOT SPLIT & CONSOLIDATION SUMMARY EXHIBIT



SUBJECT PARCELS TO BE SPLIT

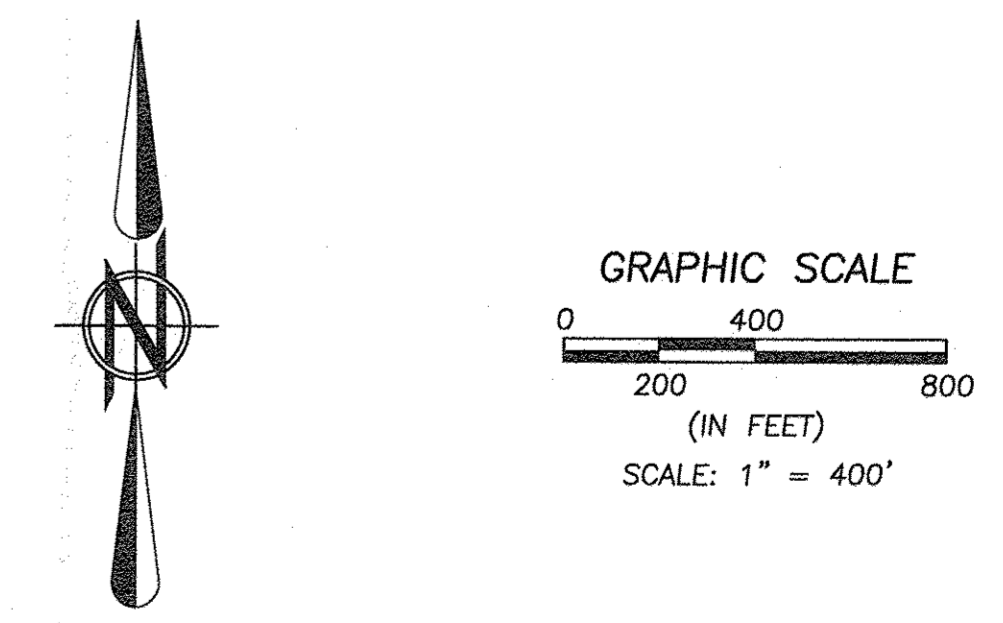
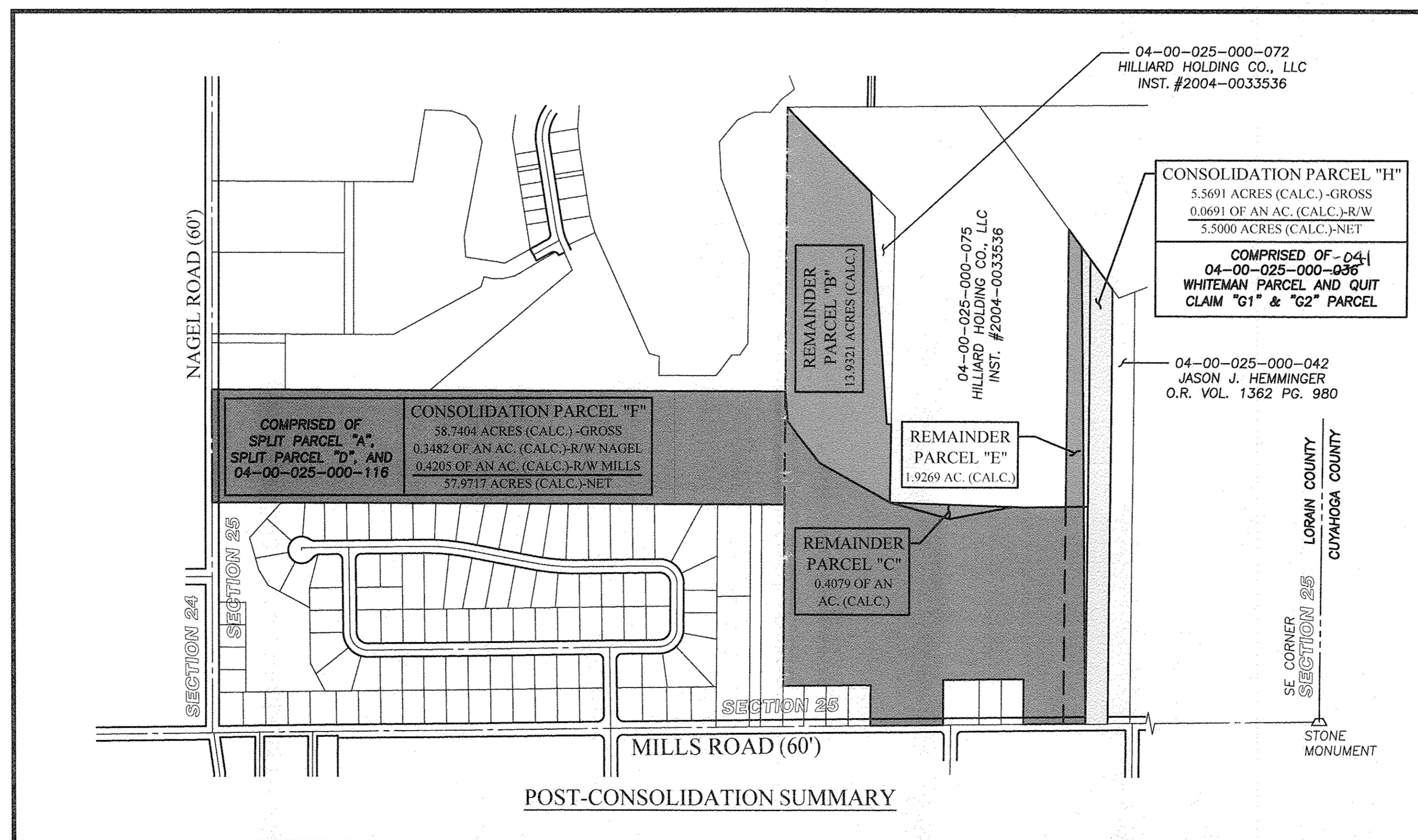
- HILLIARD HOLDING CO., LLC
SUBJECT PARCEL: 04-00-025-000-121
INST. #2004-0033536
40.9092 ACRES RECORD
41.0325 ACRES MEASURED PRIOR TO SPLIT
26.6925 ACRES SPLIT PARCEL "A" TO BECOME PART OF CONSOLIDATION PARCEL "F"
13.9321 ACRES REMAINDER PARCEL "B"; TO STAY WITH HILLIARD HOLDING CO., LLC
0.4079 ACRES REMAINDER PARCEL "C"; TO STAY WITH HILLIARD HOLDING CO., LLC
- HILLIARD HOLDING CO., LLC
SUBJECT PARCEL: 04-00-025-000-040
INST. #2004-0033536
4.91 ACRES RECORD
0.97 ACRES QUIT CLAIM AREAS "G1" & "G2"; TO BE QUIT CLAIMED TO WHITEMAN, OWNER OF ADJACENT PARCEL JUST EASTERLY OF SUBJECT PARCEL. WHITEMAN PARCEL 04-00-025-000-036 INST. #2014-05090243. 0.2058 ACRES G1 SOUTHERLY, FRONTAGE. 0.7642 ACRES G2 NORTHERLY, REAR.
2.0127 ACRES SPLIT PARCEL "D" TO BECOME PART OF CONSOLIDATION PARCEL "F"
1.9269 ACRES REMAINDER "E"; TO STAY WITH HILLIARD HOLDING CO., LLC

SUBJECT PARCELS AND SPLIT REFERENCES TO BE CONSOLIDATED INTO PARCEL "F"

- HILLIARD LAKES, INC.
SUBJECT PARCEL: 04-00-025-000-116
O.R. VOL. 1051 PAGE 510
30.0501 ACRES RECORD
30.0352 ACRES MEASURED PRIOR TO CONSOLIDATION
26.6925 SPLIT PARCEL "A"
2.0127 SPLIT PARCEL "D"
TOTAL ACREAGE CONSOLIDATION PARCEL "F" = 58.7404
TOTAL ACREAGE TO BE QUIT CLAIMED TO WHITEMAN = 0.97

SUBJECT PARCELS AND SPLIT REFERENCES TO BE CONSOLIDATED INTO PARCEL "H"

- KRISTIN M. WHITEMAN -041
SUBJECT PARCEL: 04-00-025-000-036
INST. #2014-05090243
4.59 ACRES RECORD
4.5991 ACRES MEASURED PRIOR TO CONSOLIDATION
0.2058 QUIT CLAIM AREA "G1"
0.7642 QUIT CLAIM AREA "G2"
TOTAL ACREAGE CONSOLIDATION PARCEL "H" = 5.5691



DATE	BY	DESCRIPTION
08-14-2018	MCB	ISSUE FOR DISCUSSION
08-21-2018	MCB	ISSUE TO CLIENT

DRAWN BY: JAD	BRAMHALL ENGINEERING AND SURVEYING COMPANY 801 MOORE ROAD AVON, OHIO 44011 (440) 934 - 7878 (440) 934 - 7879 FAX	SHEET 2 OF 3
CHECKED BY: MCB		JOB NO. 15-4219

J:\154219\Drawings\SPLITCONSOLIDATIONS\SUMMARY.dwg Printed Aug 21, 2018 - 11:09am