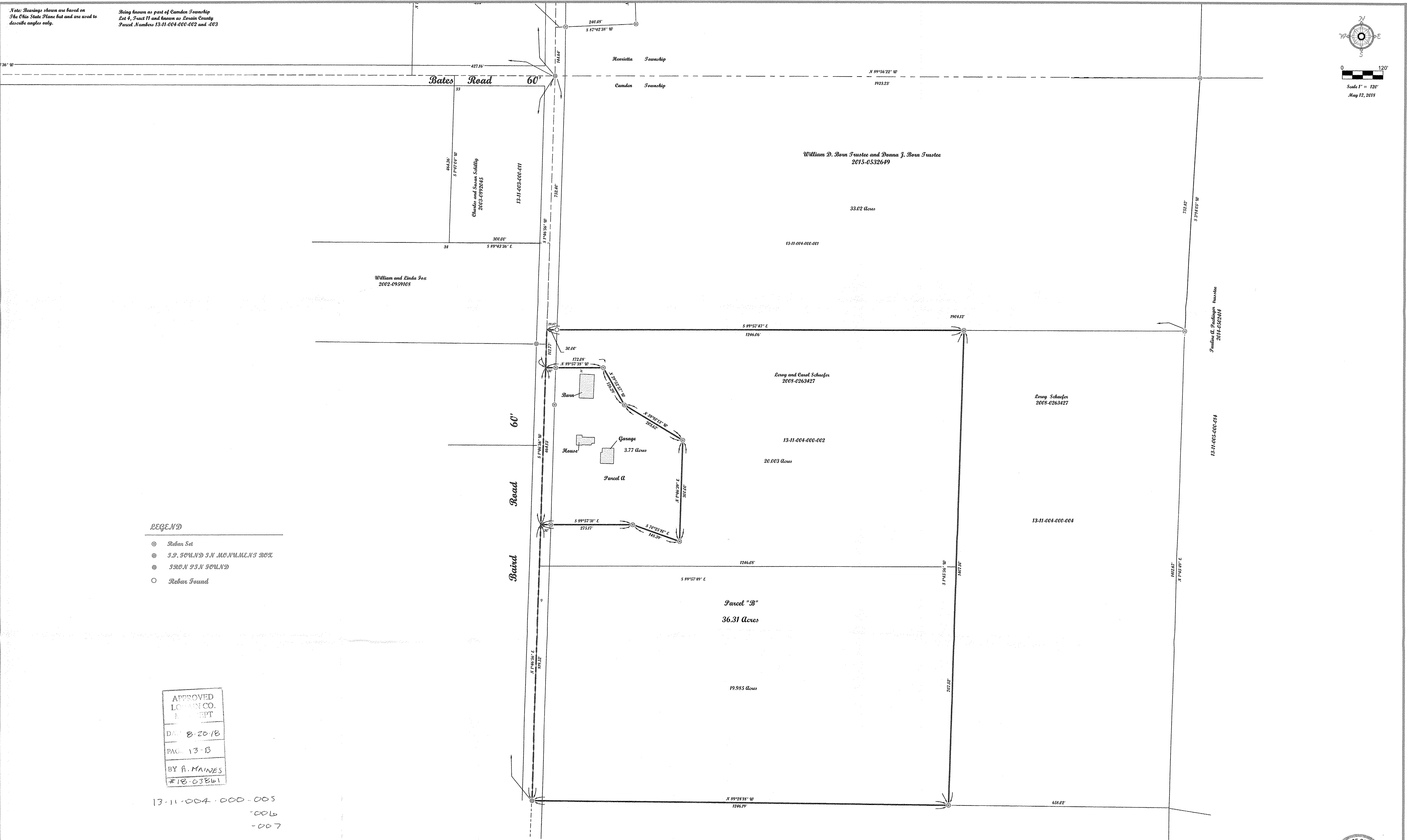
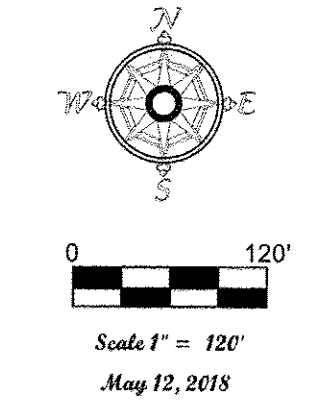


Note: Readings shown are based on the Ohio State Plane but are used to describe angles only.

Being known as part of Camden Township Lot 4, Tract II and known as Lorain County Parcel Numbers 13-11-004-000-002 and -003



- LEGEND**
- ⊙ Rebar Set
 - ⊙ S.P. FOUND IN MONUMENTS BOX
 - ⊙ IRON I.I.N. FOUND
 - Rebar Found

APPROVED
LOHMAN CO.
RECEIPT
DATE 8-20-18
PAGE 13-B
BY R. MAINES
#18-03861

13-11-004-000-005
-006
-007

McGannon Surveying, LLC
Boundary Survey
Patrick A. McGannon
Registered Professional Surveyor
1731 Gettysburg Drive, Lorain, Ohio 44053 (440) 282-2712
www.mcgannon-surveying.com

Note: Only copies signed with Red ink shall be considered Valid.
Patrick A. McGannon
Patrick A. McGannon P.S. 7154

Jason D. and April L. Bann
2014-0506381
13-11-017-000-027

