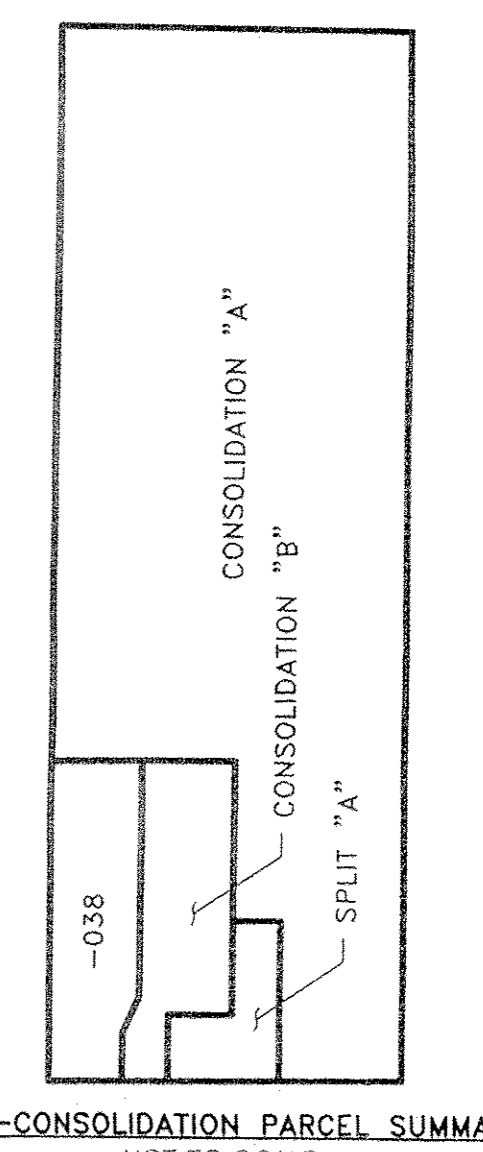
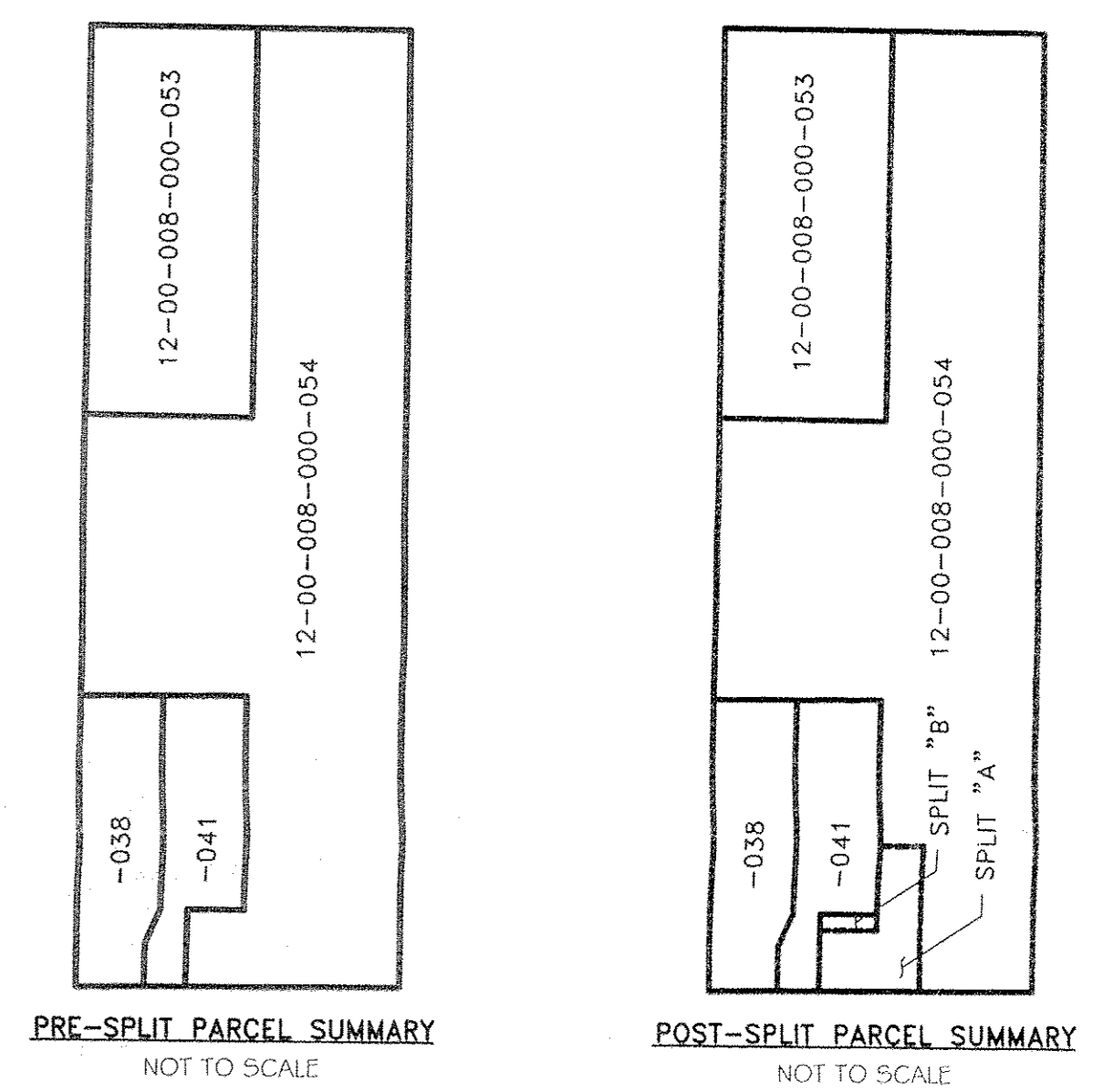
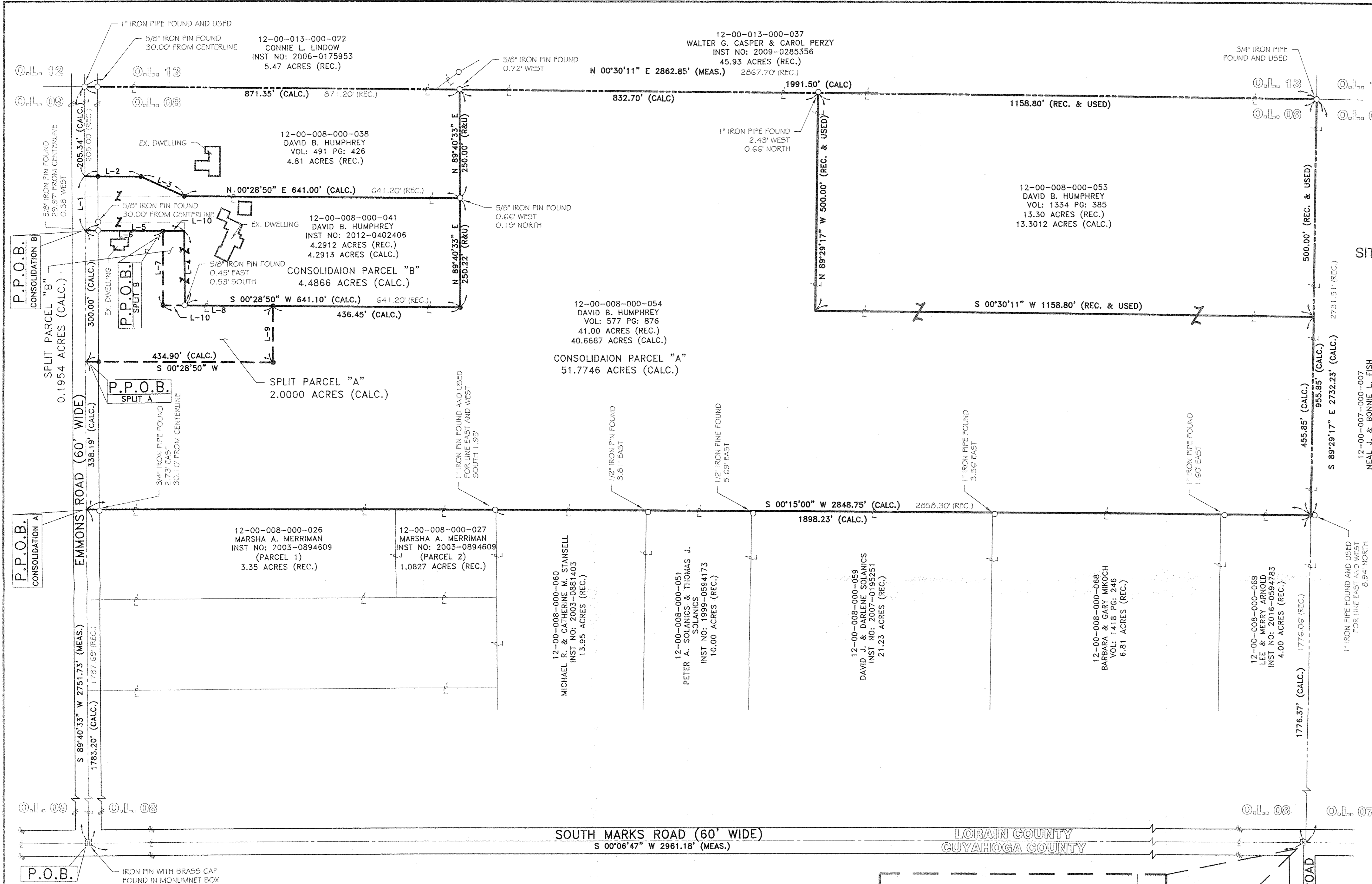


LOT SPLIT AND CONSOLIDATION SURVEY

FOR
DAVID B. HUMPHREY
 SITUATED IN THE TOWNSHIP OF COLUMBIA, COUNTY OF LORAIN,
 STATE OF OHIO, AND KNOWN AS BEING PART OF ORIGINAL
 COLUMBIA TOWNSHIP LOT NUMBER 8.

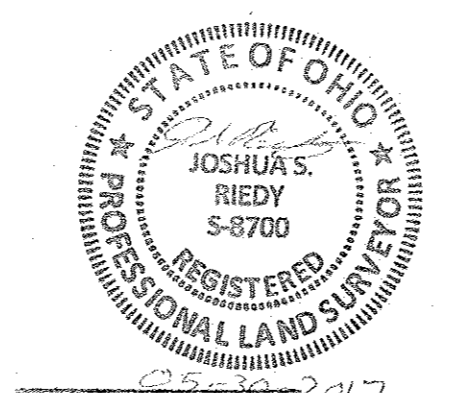


- REFERENCES USED**
- SUBJECT & ADJACENT PARCEL RECORDINGS AS LISTED HEREON
 - LORAIN COUNTY TAX MAPS
 - PLAT OF SURVEY FOR VERA L. HUMPHREY, PREPARED BY JAMES B. ROOT IN JANUARY OF 2005.
 - PARCEL SPLIT SURVEY FOR ARLINE WOLF, PREPARED BY JOHN POZYWAK IN DECEMBER OF 1963.
 - PARCEL SPLIT SURVEY FOR NEAL J. AND BONNIE L. FISH, PREPARED BY FREDERICK W. BOREMAN IN JULY OF 2004
 - DEDICATION PLAT OF LOUISE LANE, PREPARED BY JAMES B. ROOT AND ASSOCIATES IN JULY OF 1986.
 - PLAT OF SURVEY FOR MARY CASPER, PREPARED BY GARY E. PENFOUND.
 - PLAT OF SURVEY FOR WILBERT G. AND ELIZABETH M. NOWAK.
 - PARCEL SPLIT SURVEY FOR HUMPHREY AND WOLF, PREPARED BY ROLLING, HOCEVAR AND ASSOCIATES IN JUNE OF 1978.

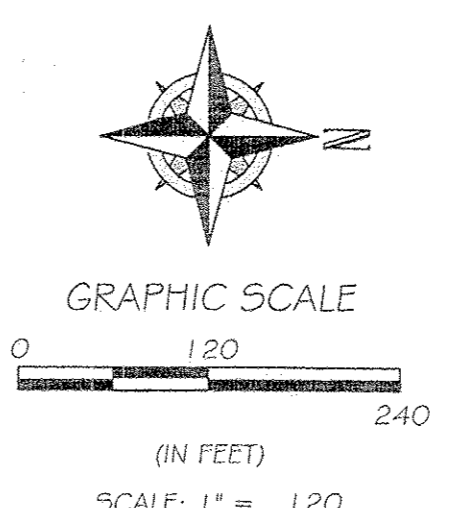
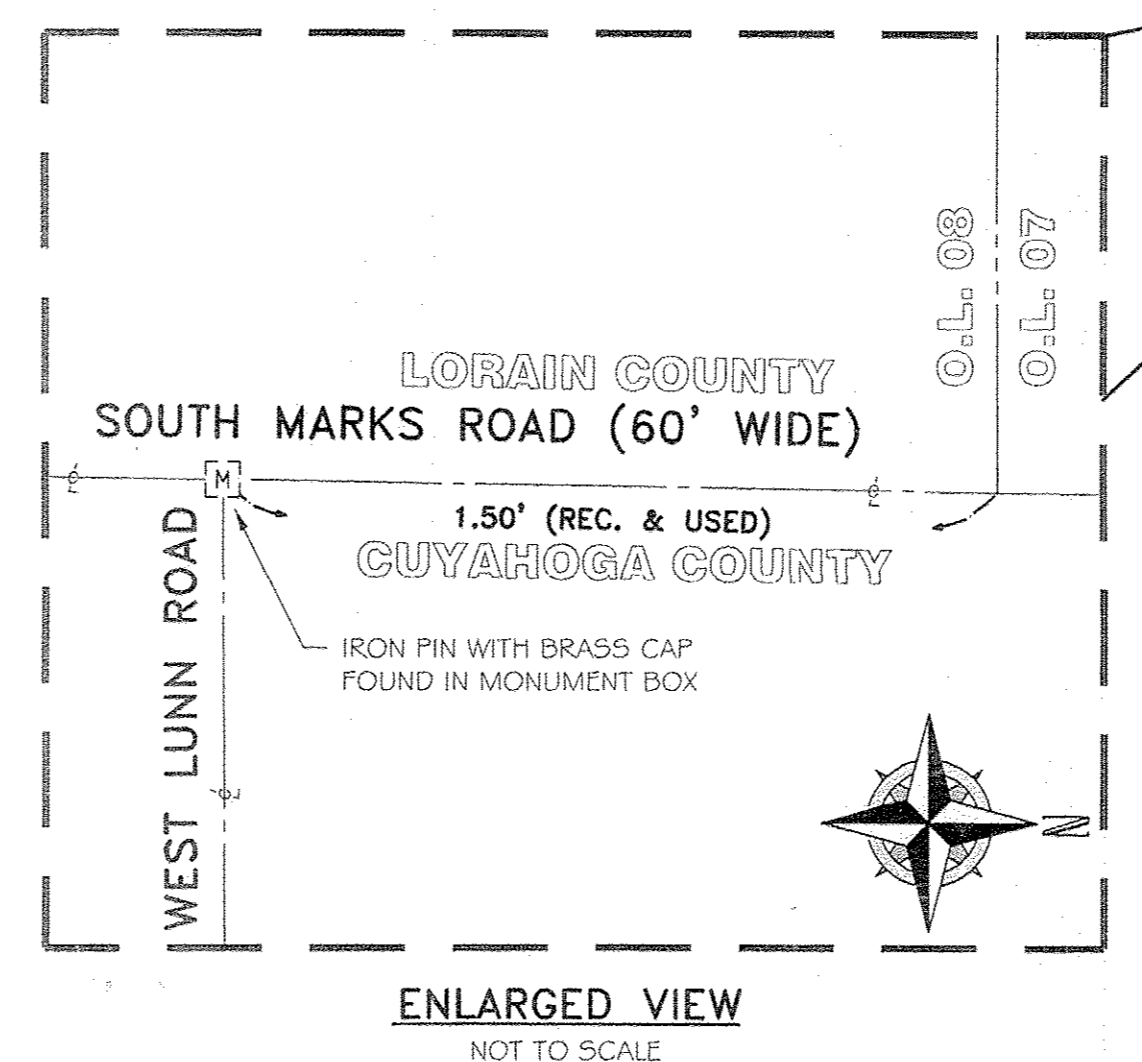
BASIS OF BEARINGS
 BASIS OF BEARING IS A PORTION OF THE CENTERLINE OF EMMONS ROAD WHICH IS ASSUMED TO BE SOUTH 89°40'33" WEST BEARINGS ARE ASSUMED AND ARE FOR THE PURPOSES OF DESCRIBING ANGLES ONLY.
 THIS PLAN IS BASED UPON A FIELD SURVEY PERFORMED BY RAFTER A, LTD FINALIZED IN MARCH OF 2017.

REV	BY	DATE	DESCRIPTION
1	JSR	05-30-2017	ISSUE TO CLIENT

LINE REFERENCE TABLE		
L-1	125.00' (R&U)	S 89°40'33" W
L-2	130.35' (CALC.) 130.00' (REC.)	N 00°28'50" E
L-3	110.22' (R&U)	N 24°34'30" E
L-4	170.22' (R&U)	S 89°41'50" W
L-5	230.31' (CALC.) 230.00' (REC.)	S 00°28'50" W
L-6	180.31' (CALC.)	N 00°28'50" E
L-7	170.22' (CALC.)	N 89°41'50" E
L-8	254.65' (CALC.)	N 00°28'50" E
L-9	129.78' (CALC.)	N 89°40'33" E
L-10	50.00' (CALC.)	N 00°28'50" E



APPROVED
 LORAIN CO. MAP DEPT
 DATE 7-14-17
 PAGE 12-00-008
 BY R. MAINES
 # 17-03694



- LEGEND:**
- IRON PIN/PIPE FOUND AS NOTED
 - REBAR SET WITH CAP STAMPED "Rafter A Ltd" OR "FREDRICKSON 5-8265" (LINE PINS = GREEN CAP, CORNER PINS = YELLOW CAP)
 - ☒ MONUMENT BOX FOUND WITH IRON PIN/PIPE FOUND AS NOTED

LOT SPLIT/ CONSOLIDATION SURVEY
 SITUATED IN THE TOWNSHIP OF COLUMBIA, COUNTY OF LORAIN,
 STATE OF OHIO, AND KNOWN AS BEING PART OF ORIGINAL
 COLUMBIA TOWNSHIP LOT NUMBER 8

DAVID HUMPHREY
 23492 EMMONS ROAD
 COLUMBIA STATION, OHIO 44028

RAFTER A, LTD
 LAND SURVEYING & ENGINEERING

Office: 440-458-6294 10980 LaGrange Road
 Fax: 440-458-4483 Elyria, Ohio 44035
 www.RafterA.com

DRAWN BY: JSR CHECKED BY: BDA
 JOB No: 1803-17 SHEET 1 of 1

12-00-008-000-071 thru -075