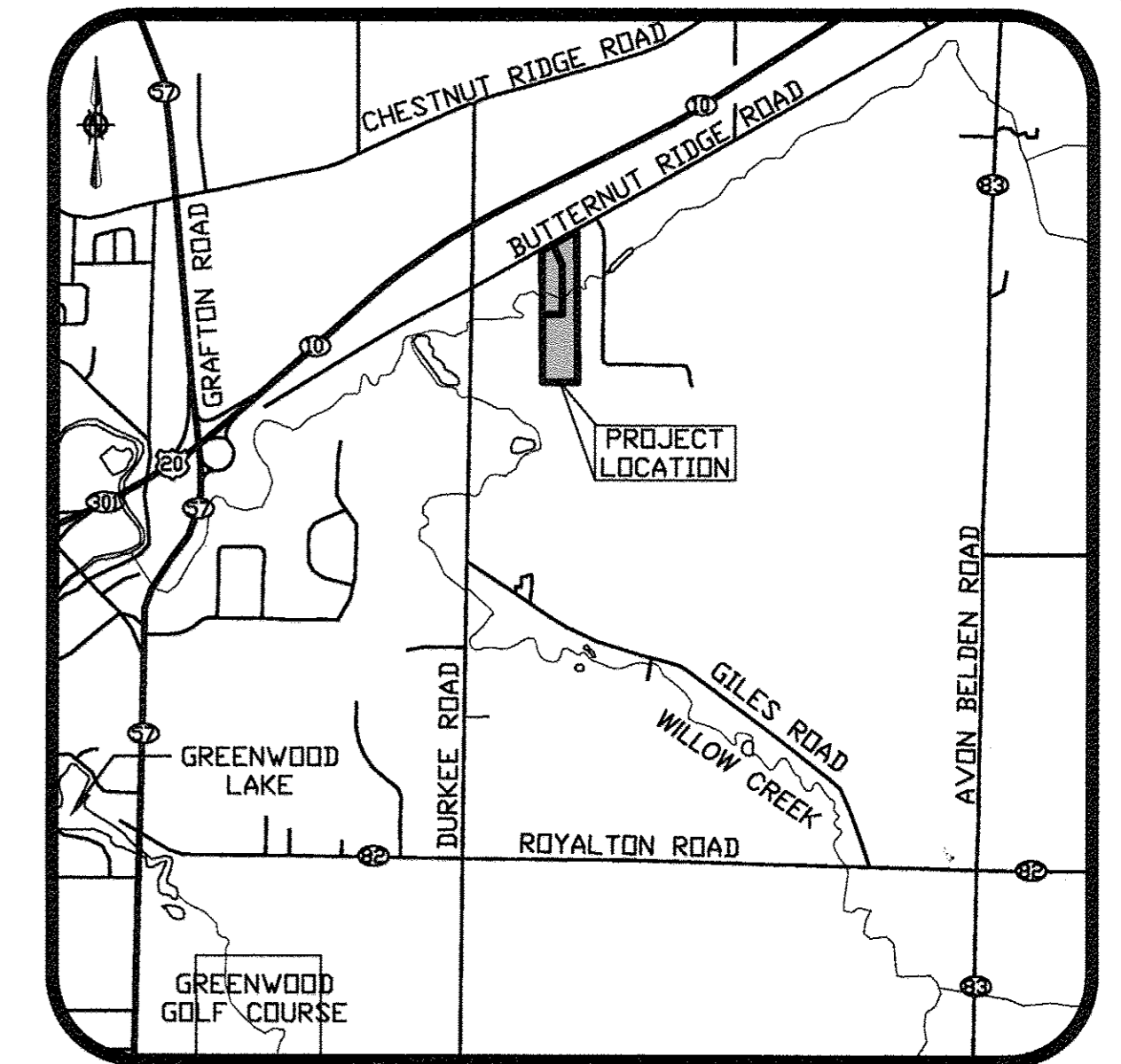


LOT SPLIT SURVEY

SITUATED IN THE TOWNSHIP OF EATON, COUNTY OF LORAIN, STATE OF OHIO
AND KNOWN AS BEING PART OF ORIGINAL EATON TOWNSHIP LOT NUMBERS 72 & 73

LEGEND

- 5/8" x 30" IRON REBAR WITH CAP STAMPED "BRAMHALL 8073" SET
- IRON PIN/PIPE FOUND AS INDICATED
- ☒ MONUMENT BOX WITH IRON PIN/PIPE FOUND AS INDICATED
- M.N.F. MAGNETIC NAIL FOUND
- (R) (REC.) RECORD INFORMATION
- (M) (MEAS.) MEASURED INFORMATION
- (C) (CALC.) CALCULATED INFORMATION
- (U) (USED) USED INFORMATION
- (CALC.REC.) CALCULATED FROM RECORD INFORMATION
- (N.) NORTH (E.) EAST
- (S.) SOUTH (W.) WEST
- C CENTERLINE
- R/W RIGHT-OF-WAY LINE
- P/L PROPERTY LINE
- UTILITY POLE
- WATER WELL
- BUSH
- STUMP
- TREE
- PINE TREE

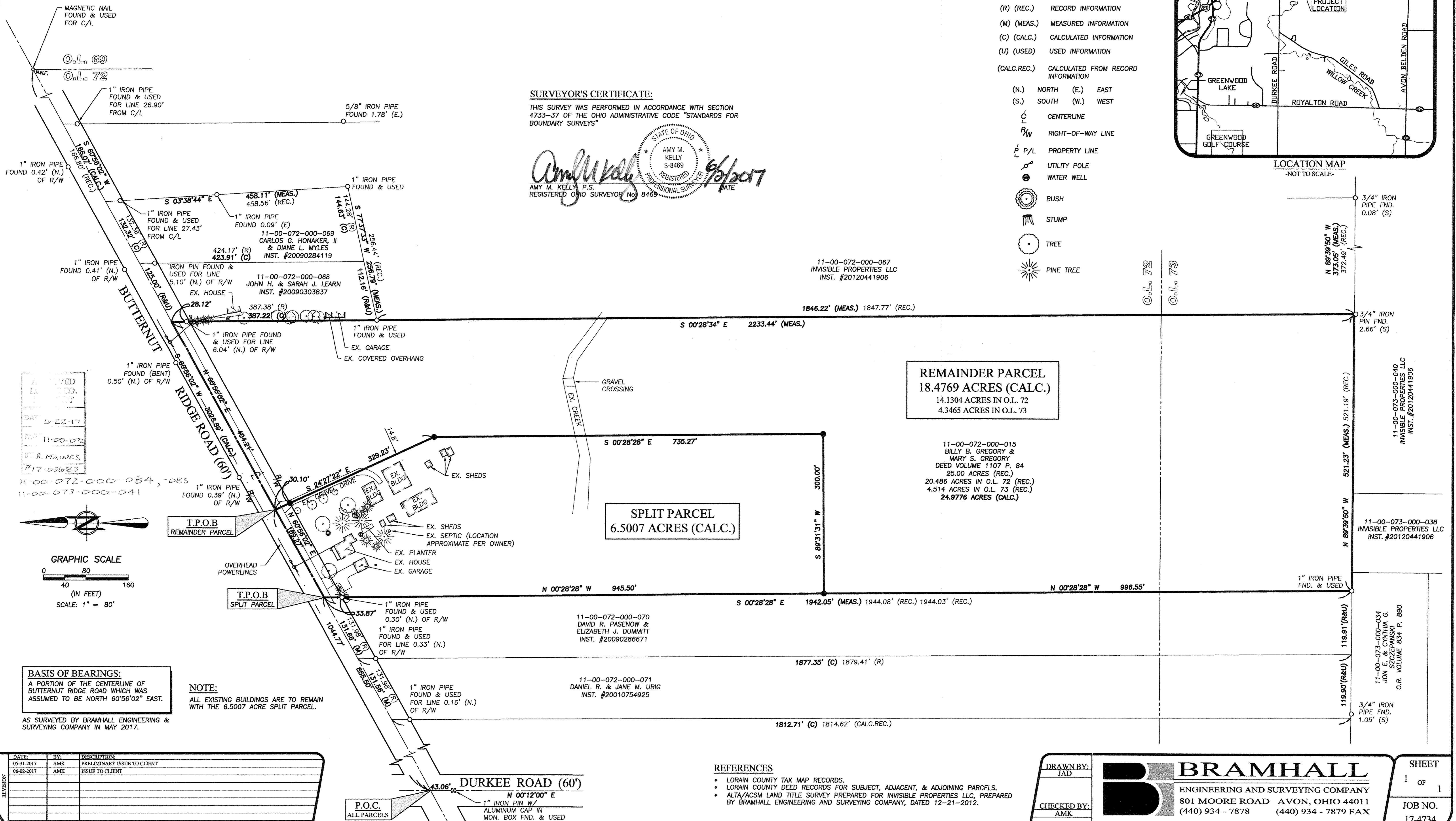


LOCATION MAP
-NOT TO SCALE-

SURVEYOR'S CERTIFICATE:

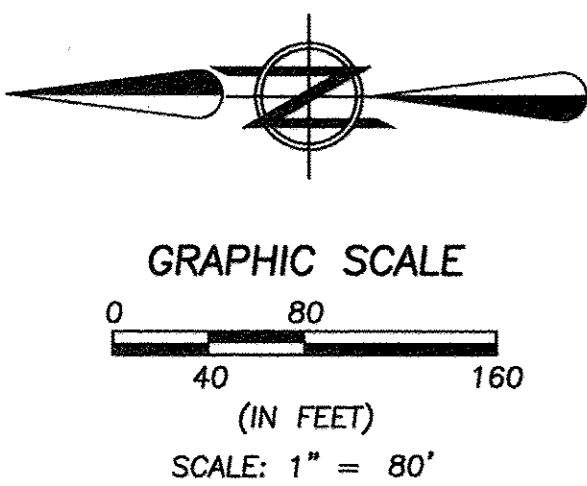
THIS SURVEY WAS PERFORMED IN ACCORDANCE WITH SECTION 4733-37 OF THE OHIO ADMINISTRATIVE CODE "STANDARDS FOR BOUNDARY SURVEYS"

Amy M. Kelly
AMY M. KELLY, P.S.
REGISTERED OHIO SURVEYOR No. 8489
STATE OF OHIO
REGISTERED PROFESSIONAL SURVEYOR
S-8469
6/2/2017



APPROVED	DATE	BY
6-22-17	11-00-072	R. MAINES
#17-03683		

11-00-072-000-084, -085
11-00-073-000-041



BASIS OF BEARINGS:
A PORTION OF THE CENTERLINE OF BUTTERNUT RIDGE ROAD WHICH WAS ASSUMED TO BE NORTH 60°56'02" EAST.

NOTE:
ALL EXISTING BUILDINGS ARE TO REMAIN WITH THE 6.5007 ACRE SPLIT PARCEL.

AS SURVEYED BY BRAMHALL ENGINEERING & SURVEYING COMPANY IN MAY 2017.

DATE	BY	DESCRIPTION
05-31-2017	AMK	PRELIMINARY ISSUE TO CLIENT
06-02-2017	AMK	ISSUE TO CLIENT

REFERENCES

- LORAIN COUNTY TAX MAP RECORDS.
- LORAIN COUNTY DEED RECORDS FOR SUBJECT, ADJACENT, & ADJOINING PARCELS.
- ALTA/ACSM LAND TITLE SURVEY PREPARED FOR INVISIBLE PROPERTIES LLC, PREPARED BY BRAMHALL ENGINEERING AND SURVEYING COMPANY, DATED 12-21-2012.

DRAWN BY:
JAD
CHECKED BY:
AMK

BRAMHALL
ENGINEERING AND SURVEYING COMPANY
801 MOORE ROAD AVON, OHIO 44011
(440) 934 - 7878 (440) 934 - 7879 FAX

SHEET
1 OF 1
JOB NO.
17-4734

JAD:RJK Gregory Lot Split 37521 Butternut Ridge Road WAINESVILLE, OH 43081, Plotted: Jun 02, 2017, 10:22am