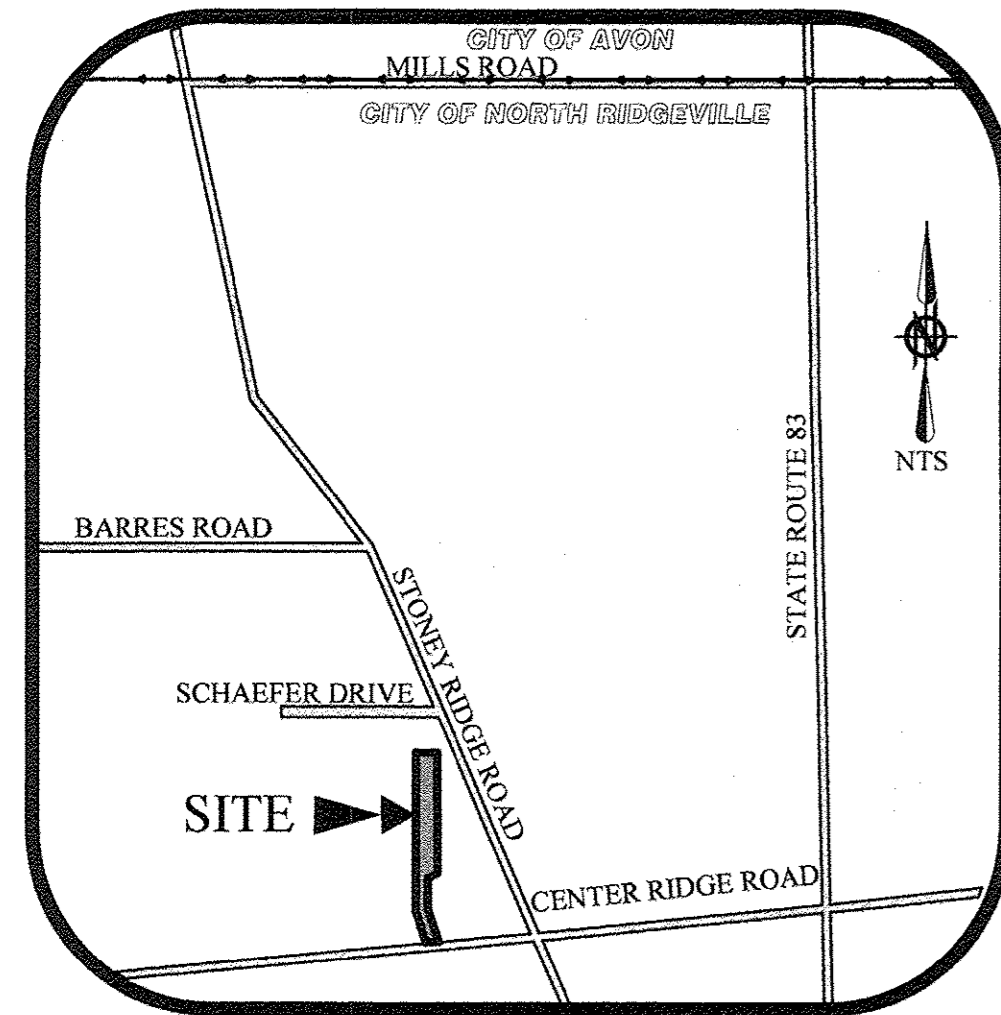


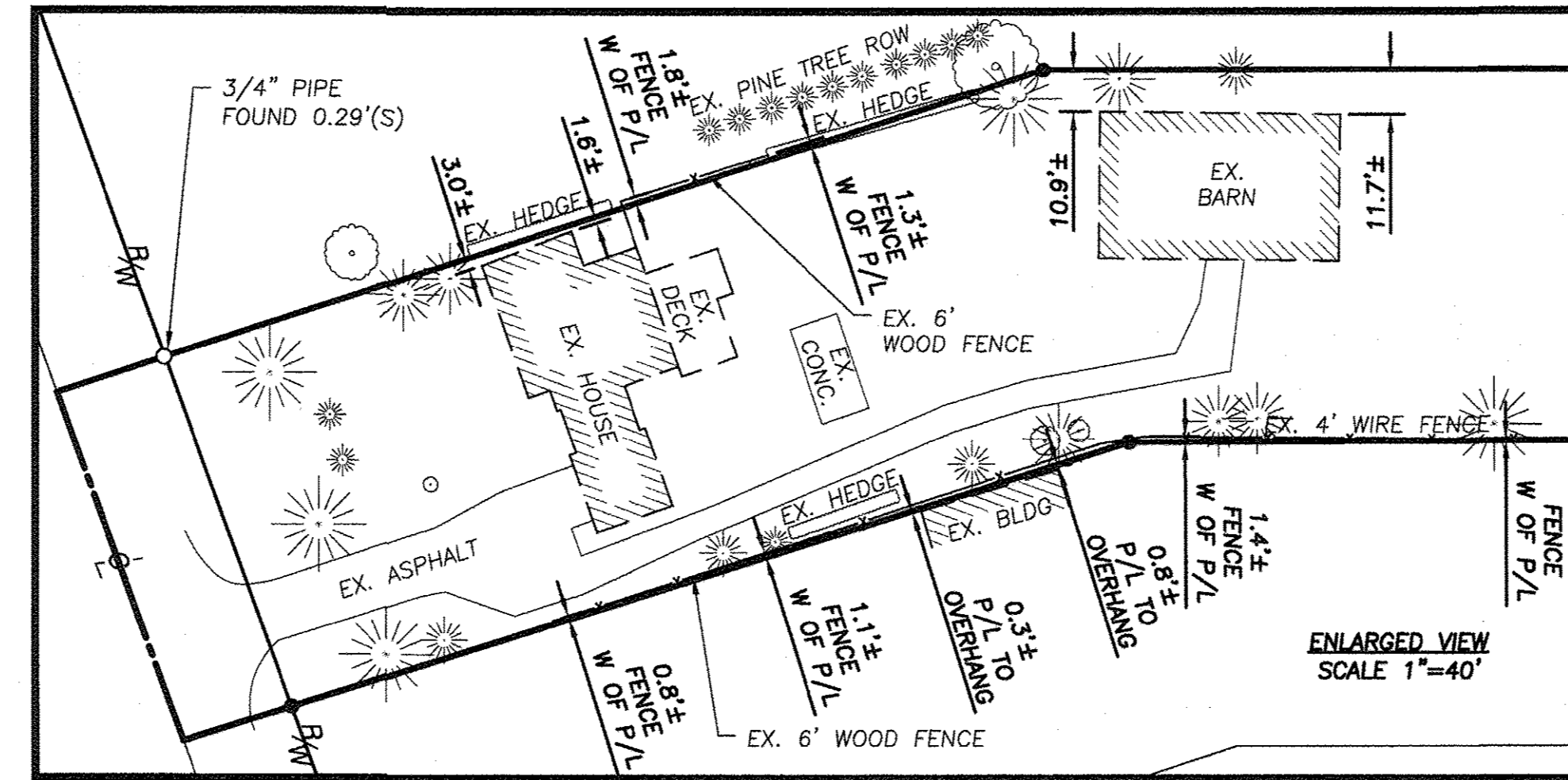
# BOUNDARY SURVEY

FOR  
PATRICIA K. PITTS

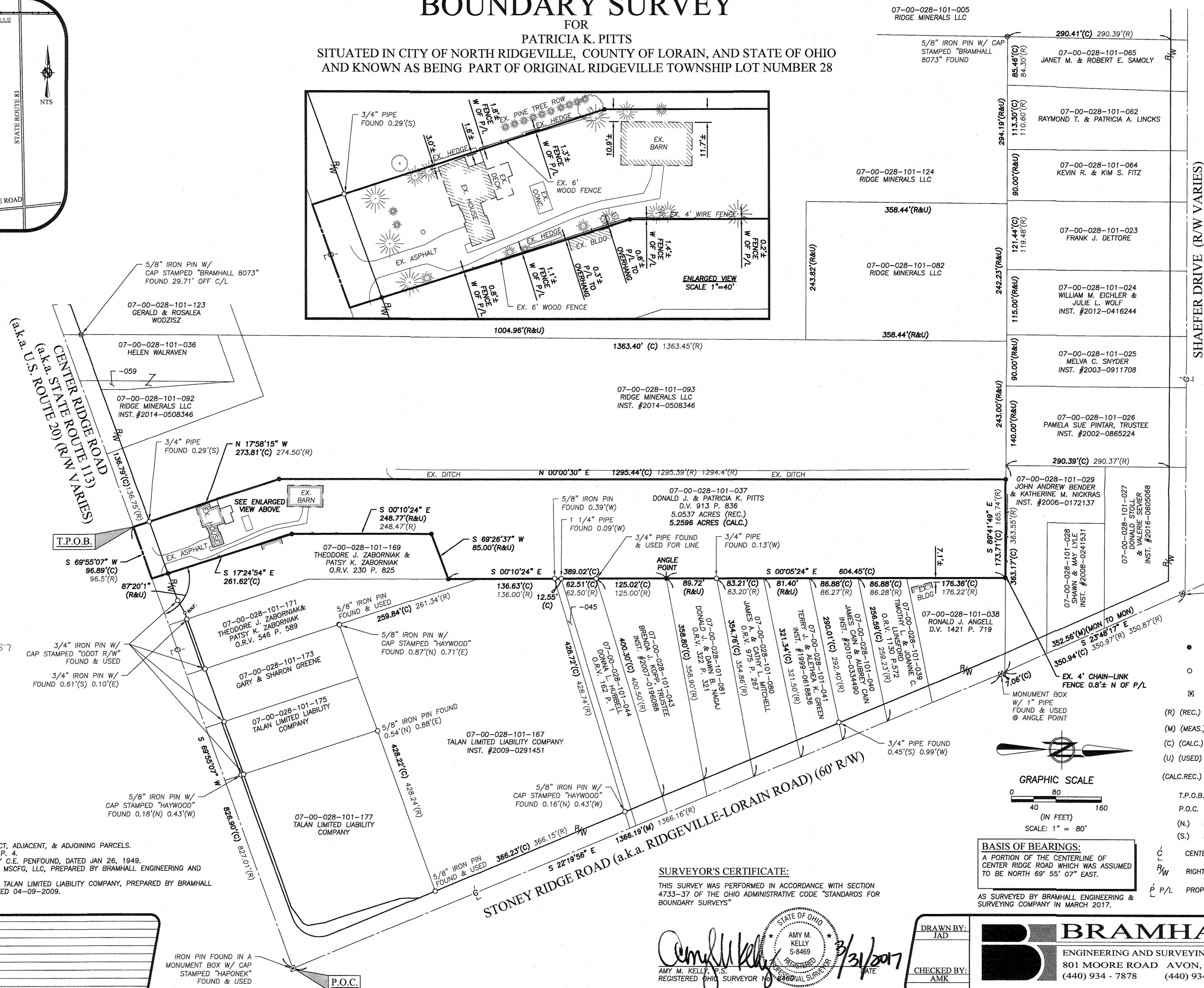
SITUATED IN CITY OF NORTH RIDGEVILLE, COUNTY OF LORAIN, AND STATE OF OHIO  
AND KNOWN AS BEING PART OF ORIGINAL RIDGEVILLE TOWNSHIP LOT NUMBER 28



VICINITY MAP



ENLARGED VIEW  
SCALE 1"=40'



4-7-17  
7-00-028  
R. MAINES  
\*17-03646C

07-00-028-101-037

- REFERENCES**
- LORAIN COUNTY TAX MAP RECORDS.
  - LORAIN COUNTY DEED RECORDS FOR SUBJECT, ADJACENT, & ADJOINING PARCELS.
  - SCHAEFER DRIVE DEDICATION PLAT, P.V. 23 P. 4.
  - SURVEY FOR ANNA SCHAEFER, PREPARED BY C.E. PENFOUND, DATED JAN 26, 1949.
  - LOT SPLIT AND CONSOLIDATION SURVEY FOR MSCFG, LLC, PREPARED BY BRAMHALL ENGINEERING AND SURVEYING COMPANY, DATED 06-11-2008.
  - LOT SPLIT AND CONSOLIDATION SURVEY FOR TALAN LIMITED LIABILITY COMPANY, PREPARED BY BRAMHALL ENGINEERING AND SURVEYING COMPANY, DATED 04-09-2009.

DATE	BY	DESCRIPTION
03-31-2017	AMK	ISSUE TO CLIENT

**SURVEYOR'S CERTIFICATE:**  
THIS SURVEY WAS PERFORMED IN ACCORDANCE WITH SECTION 4733-37 OF THE OHIO ADMINISTRATIVE CODE "STANDARDS FOR BOUNDARY SURVEYS"

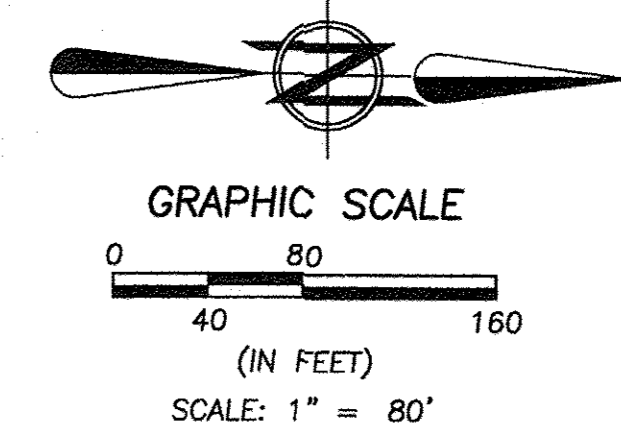
AMY M. KELLY, P.S.  
REGISTERED OHIO SURVEYOR NO. 84869  
3/31/2017

DRAWN BY:  
JAD  
CHECKED BY:  
AMK

**BRAMHALL**  
ENGINEERING AND SURVEYING COMPANY  
801 MOORE ROAD AVON, OHIO 44011  
(440) 934 - 7878 (440) 934 - 7879 FAX

SHEET  
1 OF 1  
JOB NO.  
17-4660

- LEGEND**
- 5/8" x 30" IRON REBAR WITH CAP STAMPED "BRAMHALL 8073" SET
  - IRON PIN/PIPE FOUND AS INDICATED
  - ⊠ MONUMENT BOX WITH IRON PIN/PIPE FOUND AS INDICATED
  - (R) (REC.) RECORD INFORMATION
  - (M) (MEAS.) MEASURED INFORMATION
  - (C) (CALC.) CALCULATED INFORMATION
  - (U) (USED) USED INFORMATION
  - (CALC.REC.) CALCULATED FROM RECORD INFORMATION
  - T.P.O.B. TRUE PLACE OF BEGINNING
  - P.O.C. POINT OF COMMENCEMENT
  - (N) NORTH (E) EAST
  - (S) SOUTH (W) WEST
  - C/L CENTERLINE
  - R/W RIGHT-OF-WAY LINE
  - P/L PROPERTY LINE
  - EX. TREE
  - ⊙ EX. PINE



**BASIS OF BEARINGS:**  
A PORTION OF THE CENTERLINE OF CENTER RIDGE ROAD WHICH WAS ASSUMED TO BE NORTH 69° 55' 07" EAST.

AS SURVEYED BY BRAMHALL ENGINEERING & SURVEYING COMPANY IN MARCH 2017.

J:\174660-36570 Center Ridge\Drawings\17-4660 MASTER.dwg, Plotted: Mar 31, 2017, 2:10pm