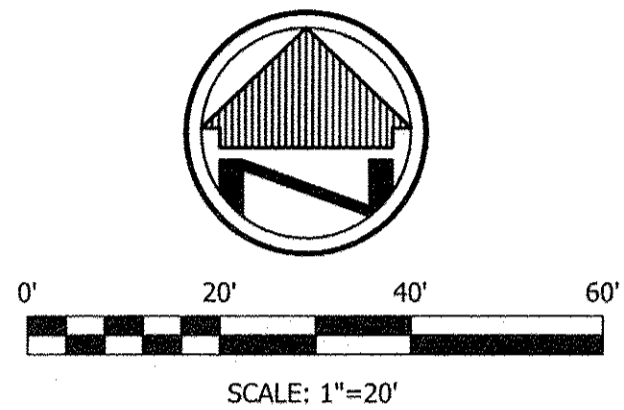


SITUATED IN STATE OF OHIO, COUNTY OF LORAIN, CITY OF EYLRIA,  
 BEING PART OF SUBLOT NO. 2 IN BLOCK 23 OF HERMAN ELY'S  
 PLAT OF OUTLOTS 18 & 23.  
 RECORDED IN PLAT VOLUME 1, PAGE 42.

APPROVED  
 LORAIN COUNTY  
 NOV 17 2016  
 DA 2-13-17  
 6-137  
 R. MAINES  
 #17-03607-D

EIGHTH STREET 66'

WEST AVENUE 66'



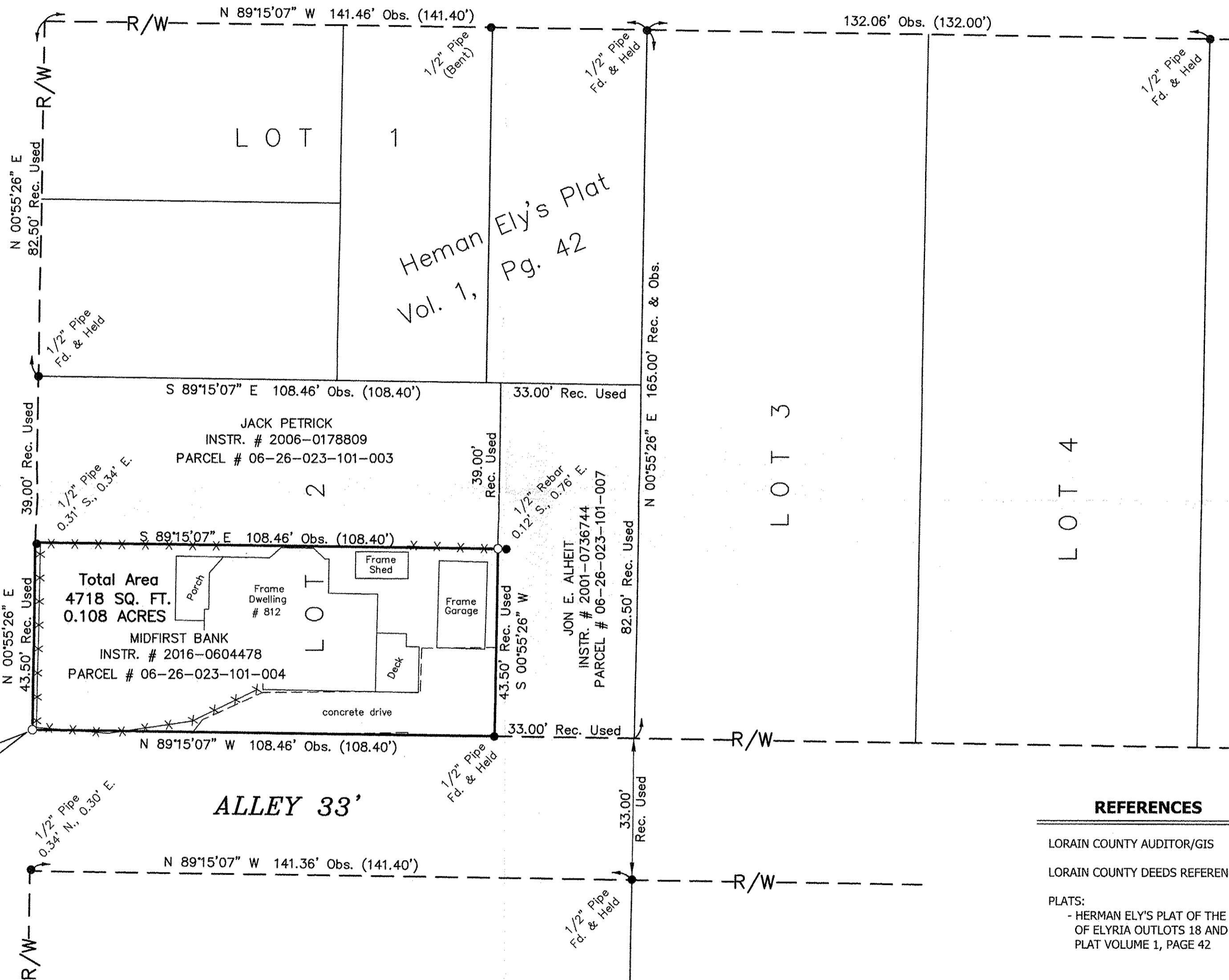
**BASIS OF BEARINGS**

THE BASIS FOR BEARINGS FOR THIS SURVEY IS GRID NORTH OF THE OHIO STATE PLANE COORDINATE SYSTEM, NORTH ZONE, NAD83(2011).

**LEGEND**

- REC. - RECORD
- CALC. - CALCULATED
- OBS. - OBSERVED
- T.P.O.B. - TRUE PLACE OF BEGINNING
- P.O.B. - PLACE OF BEGINNING
- - MONUMENT BOX
- - MONUMENT FOUND, SIZE & TYPE AS INDICATED.
- - 5/8" REBAR, 30 INCHES IN LENGTH, WITH I.D. CAP C&A SET
- △ - MAG NAIL SET
- (XX°XX'XX" XX.XX') - RECORD BEARING & DISTANCE

P.O.B. & T.P.O.B. S.W. CORNER OF LOT 2



**REFERENCES**

- LORAIN COUNTY AUDITOR/GIS
- LORAIN COUNTY DEEDS REFERENCED HEREON
- PLATS:
  - HERMAN ELY'S PLAT OF THE VILLAGE OF ELYRIA OUTLOTS 18 AND 23 PLAT VOLUME 1, PAGE 42

I HEREBY CERTIFY THAT THIS SURVEY WAS PREPARED IN ACCORDANCE WITH THE MINIMUM STANDARDS FOR BOUNDARY SURVEYS IN THE STATE OF OHIO AS DESCRIBED IN O.A.C. CHAPTER 4733-37.

*James P. Yurkschatt*  
 JAMES P. YURKSCHATT REG. NO. 7809 DATE 11/21/2016  
 CAMPBELL & ASSOCIATES, INC.



**Boundary Survey**

812 WEST AVENUE  
 ELYRIA, OHIO 44035



CAMPBELL & ASSOCIATES, INC.  
 Land Surveying  
 (330) 945-4117  
 www.campbellsurvey.com  
 3485 Fortuna Drive Suite 100 Akron, Ohio 44312

Date: NOV. 2016  
 By: DLG/JW  
 Scale: 1"= 20'  
 Job: 20160251  
 Sheet 1 of 1