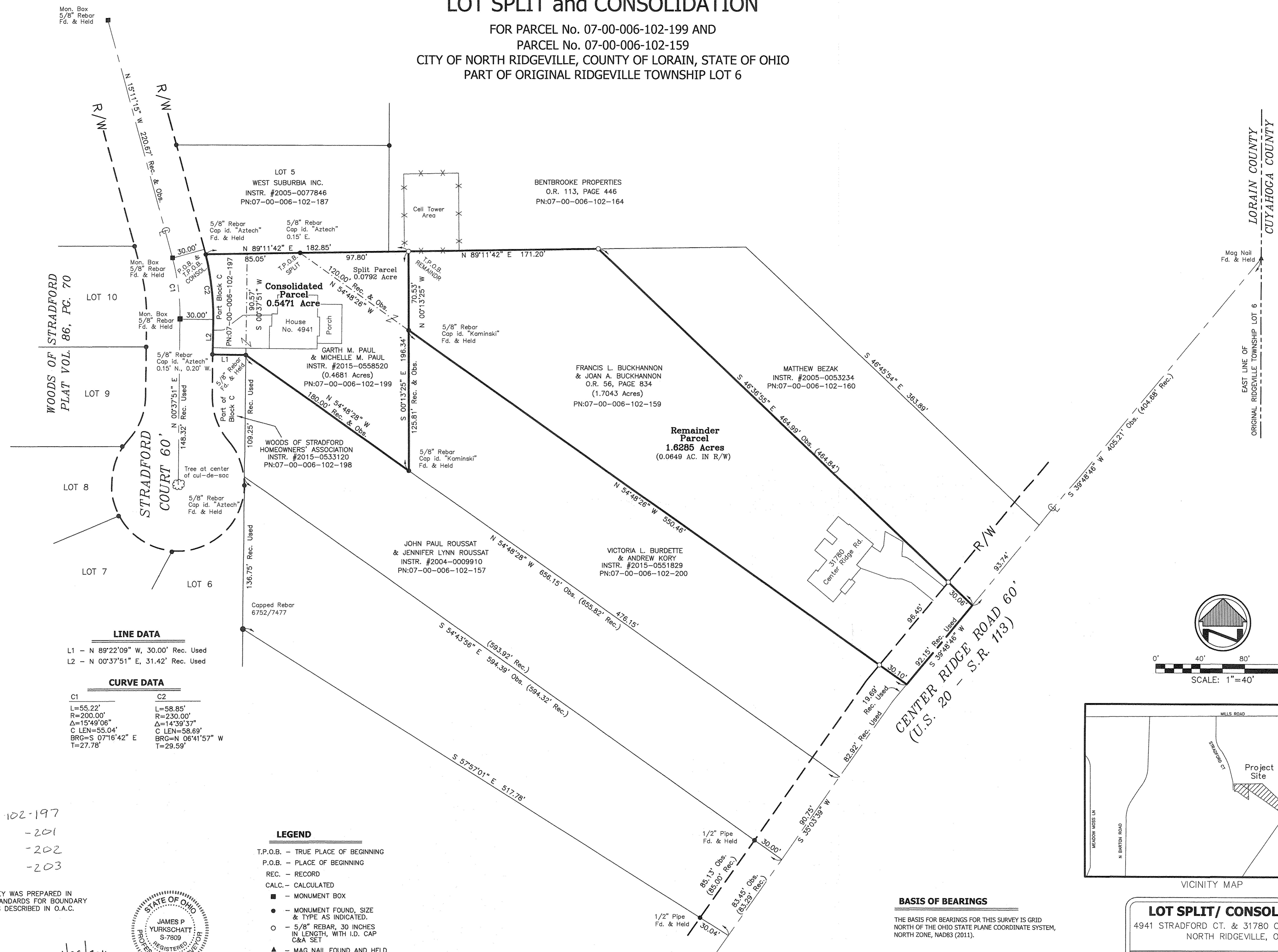


# LOT SPLIT and CONSOLIDATION

FOR PARCEL No. 07-00-006-102-199 AND  
 PARCEL No. 07-00-006-102-159  
 CITY OF NORTH RIDGEVILLE, COUNTY OF LORAIN, STATE OF OHIO  
 PART OF ORIGINAL RIDGEVILLE TOWNSHIP LOT 6



**LINE DATA**

L1	- N 89°22'09" W, 30.00' Rec. Used
L2	- N 00°37'51" E, 31.42' Rec. Used

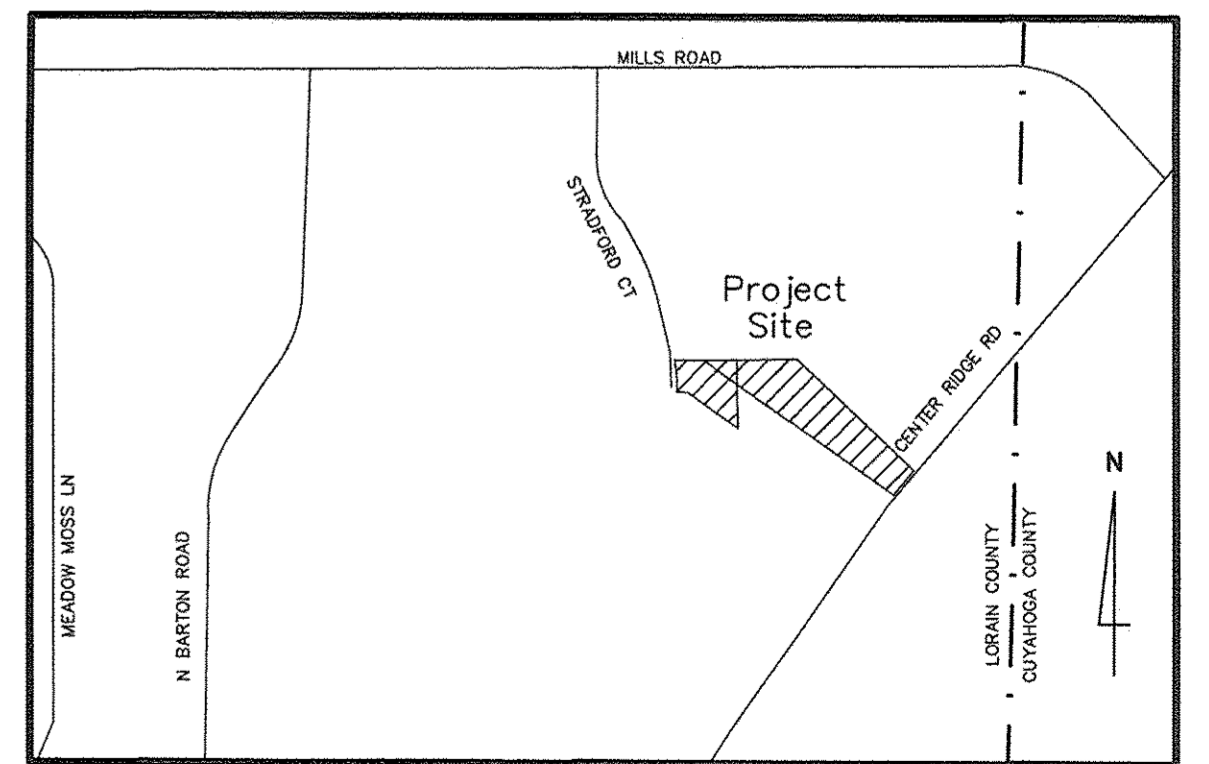
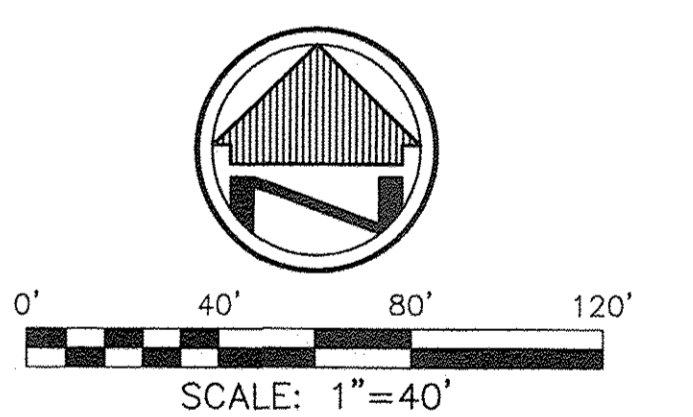
**CURVE DATA**

C1	C2
L=55.22'	L=58.85'
R=200.00'	R=230.00'
Δ=15°49'06"	Δ=14°39'37"
C LEN=55.04'	C LEN=58.69'
BRG=S 07°16'42" E	BRG=N 06°41'57" W
T=27.78'	T=29.59'

DATE: 9-14-16  
 PLAN: 700-006  
 BY: R. MAINES  
 #16-035627

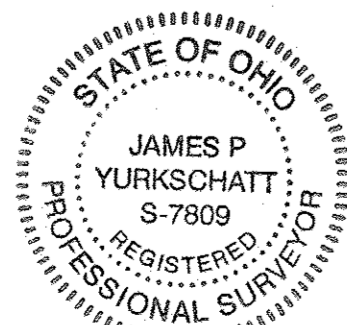
07-00-006-102-197  
 -201  
 -202  
 -203

- LEGEND**
- T.P.O.B. - TRUE PLACE OF BEGINNING
  - P.O.B. - PLACE OF BEGINNING
  - REC. - RECORD
  - CALC. - CALCULATED
  - - MONUMENT BOX
  - - MONUMENT FOUND, SIZE & TYPE AS INDICATED.
  - - 5/8" REBAR, 30 INCHES IN LENGTH, WITH I.D. CAP C&A SET
  - ▲ - MAG NAIL FOUND AND HELD
  - R/W - RIGHT-OF-WAY
  - ⊕ - CENTERLINE



I HEREBY CERTIFY THAT THIS SURVEY WAS PREPARED IN ACCORDANCE WITH THE MINIMUM STANDARDS FOR BOUNDARY SURVEYS IN THE STATE OF OHIO AS DESCRIBED IN O.A.C. CHAPTER 4733-37.

JAMES P. YURKSCHATT  
 CAMPBELL & ASSOCIATES, INC.  
 REG. NO. 7809  
 DATE: 4/29/2016



**BASIS OF BEARINGS**  
 THE BASIS FOR BEARINGS FOR THIS SURVEY IS GRID NORTH OF THE OHIO STATE PLANE COORDINATE SYSTEM, NORTH ZONE, NAD83 (2011).

**LOT SPLIT/ CONSOLIDATION**  
 4941 STRADFORD CT. & 31780 CENTER RIDGE RD.  
 NORTH RIDGEVILLE, OHIO

<p>CAMPBELL &amp; ASSOCIATES, INC.                  Land Surveying                  (330) 945-4117                  www.campbellsurvey.com                  3485 Fortuna Drive Suite 100 Akron, Ohio 44312</p>	Date: 04/20/16
	By: JW
	Scale: 1"= 40'
	Job: 20160071 Sheet 1 of 1