

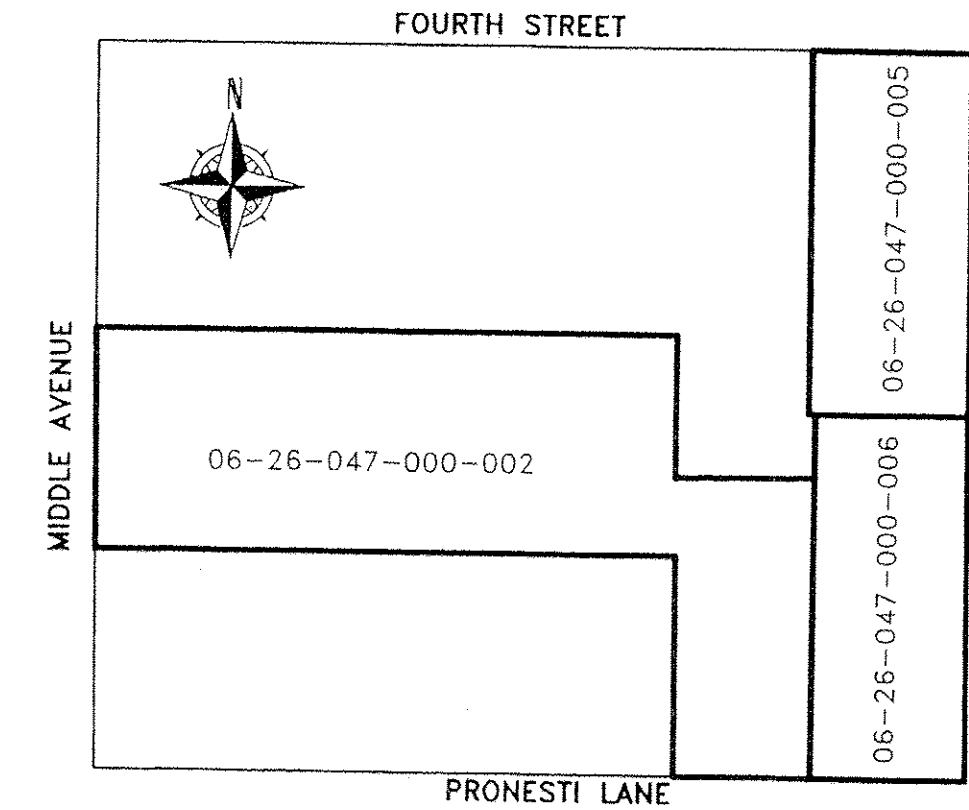
LOT-SPLIT SURVEY

2015 MAR 31 AM 10 15

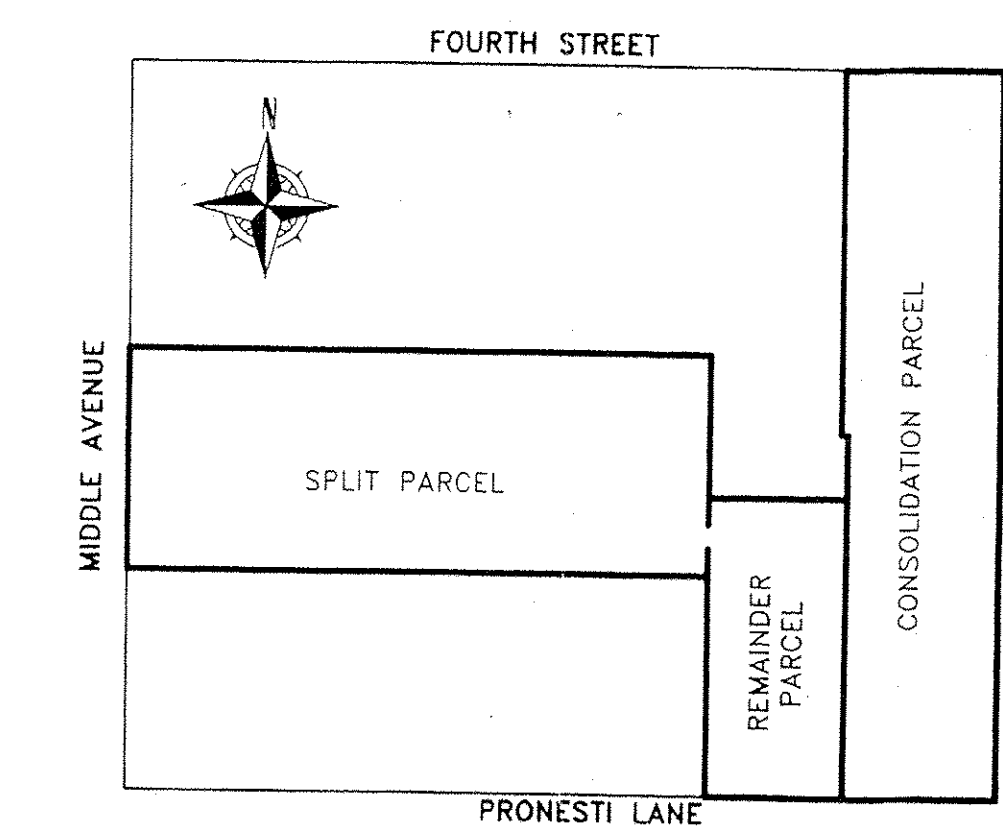
FOR
MECC INCORPORATED, AN OHIO CORPORATION

KNOWN AS BEING PARTS OF SUBLOT Nos. 339, 340 & 341 IN HEMAN ELY'S ORIGINAL PLAT OF THE VILLAGE OF ELYRIA ORIGINAL RECORDED IN PLAT VOLUME 3, PAGE 14 OF THE LORAIN COUNTY PLAT RECORDS, SITUATED IN THE CITY OF ELYRIA, COUNTY OF LORAIN, STATE OF OHIO, ALSO KNOWN AS BEING PART OF ORIGINAL ELYRIA TOWNSHIP LOT No. 47 BETWEEN THE BRANCHES OF THE BLACK RIVER.

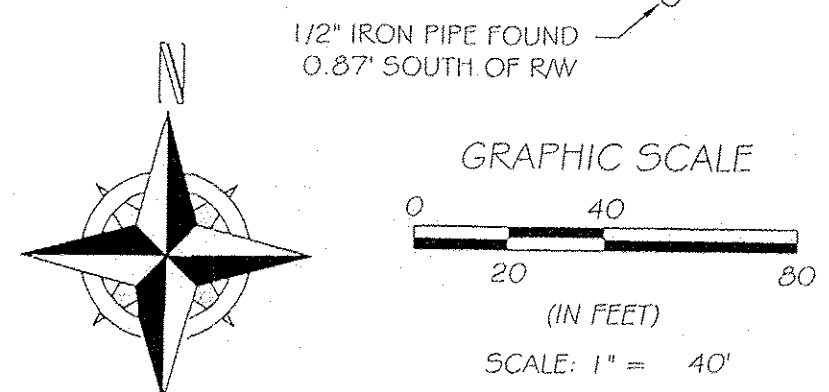
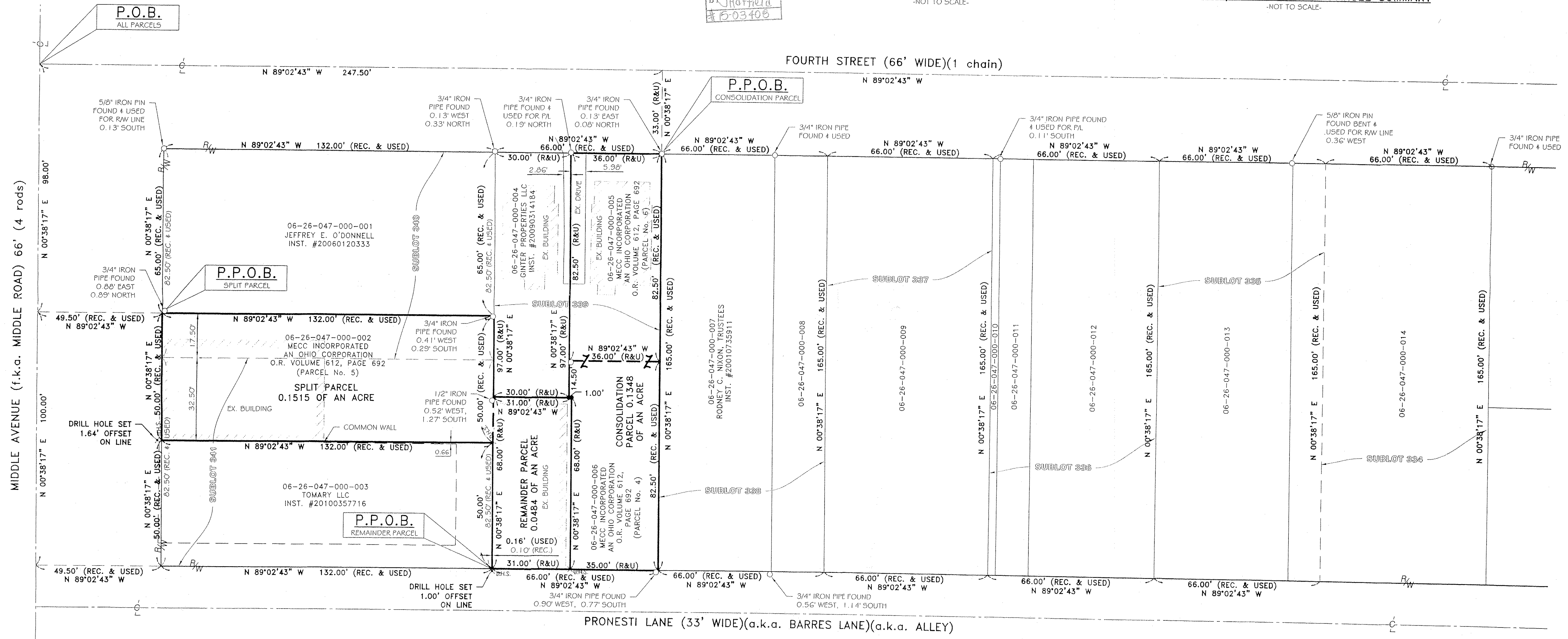
03408
APPROVED
LORAIN CO.
MAP DEPT
DATE 8-11-15
PAGE 6/120
BY J.Hoffield
#15-03408



PRE-SPLIT PARCEL SUMMARY
-NOT TO SCALE-



POST-SPLIT/CONSOLIDATION PARCEL SUMMARY
-NOT TO SCALE-



REFERENCES USED

- SUBJECT & ADJACENT PARCEL RECORDINGS AS LISTED HEREON
- LORAIN COUNTY TAX MAPS
- HEMAN ELY'S ORIGINAL PLAT OF THE VILLAGE OF ELYRIA AS RECORDED ON PAGE 3, PAGE 14 OF THE LORAIN COUNTY PLAT RECORDS
- PLAT OF SURVEY PREPARED BY J.W. WARDEN FOR ALFRED P.M. O'DONNELL ON NOV. 27 1948.
- PLAT OF SURVEY PREPARED BY J.W. WARDEN FOR CHRISTIAN W. & MARGARET D. BARRES ON FEB. 6 1948.
- PLAT OF SURVEY PREPARED BY GARY E. FENFOLD FOR CITY TITLE CO. ORDER No. E-1302-3 ON DEC. 8TH, 1970.

LEGEND:

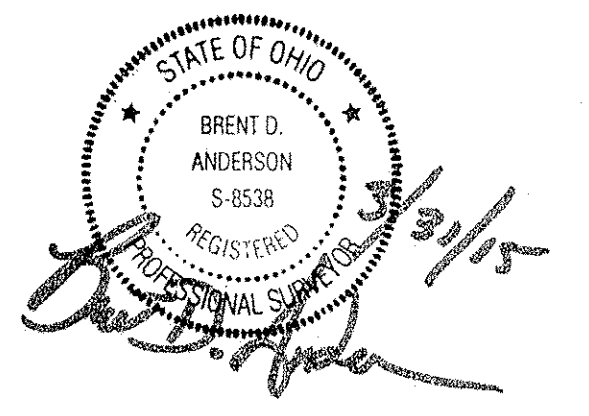
- IRON PIN/PIPE FOUND AS NOTED
- MONUMENT BOX FOUND AS NOTED
- P.K.S. MAGNETIC NAIL SET
- × D.H.S. DRILL HOLE SET
- REBAR SET WITH CAP STAMPED "Rafter A Ltd" (LINE PINS = GREEN, CORNER PINS = YELLOW)

BASIS OF BEARINGS

BASIS OF BEARING IS A PORTION THE CENTERLINE OF MIDDLE AVENUE WHICH IS ASSUMED TO BE N 00°38'17" W AND IS USED TO DESCRIBE ANGLES ONLY.
THIS PLAN IS BASED UPON A SURVEY PREPARED BY RAFTER A., LTD IN JUNE OF 2014.

| REV | BY | DATE | DESCRIPTION |
|-----|-----|------------|-----------------|
| 1 | BDA | 07-09-2014 | ISSUE TO CLIENT |
| | | | |
| | | | |
| | | | |

APPROVED BY PLANNING COMMISSION
CITY OF ELYRIA, OH
NO PLAT REQUIRED
DATE
Alisa A. L... 4/6/15



LOT SPLIT SURVEY
SURVEY PLAT
IN THE CITY OF ELYRIA, COUNTY OF LORAIN, STATE OF OHIO.

MECC INCORPORATED
725 KENT CIRCLE
ELYRIA, OHIO 44035

RAFTER A, LTD
LAND SURVEYING & ENGINEERING
Office: 440-458-6294
Fax: 440-458-4463
www.RafterA.com
10980 LaGrange Road
Elyria, Ohio 44035

DRAWN BY: BDA
JOB No: 1157-14

CHECKED BY: RAF
SHEET 1 of 1