

ELYRIA - TWINSBURG ROAD

N. 89° 53' 00" E.

S. 0° 20' 30" E.

407.69'

N. 0° 20' 30" W.

100.00'

30'

DURKEE ROAD 60'



N. 89° 53' 00" E.

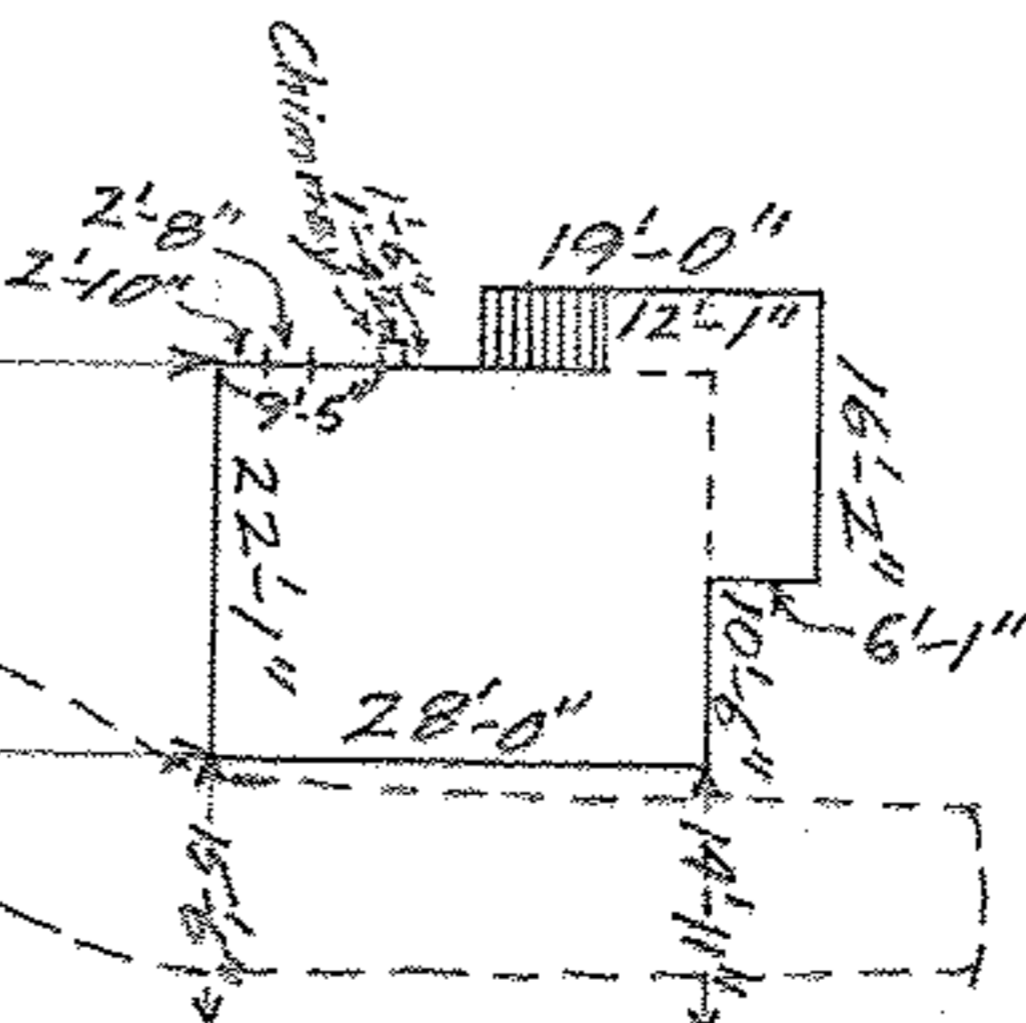
653.92' (Not to scale)

1.501 Acres

#95

101'-3"

Slag Drive 100'-9"



S. 89° 53' 00" W.

654.02' (Not to scale)

MAP OF PART OF ORIG. LOT NO. 76
EATON TWP. - LORAIN COUNTY - OHIO
aka PARCEL NO. 8 OF DURKEE ACRES
SCALE: 1" = 30' MAY 16-1964 4:00 P.M.
Gary E. Penfound REG. SURVEYOR

Charles A. Lentz, Jr. & Betty J. Lentz

Charles & Dorothy Nelson
D. Vol. 454 Pg. 146