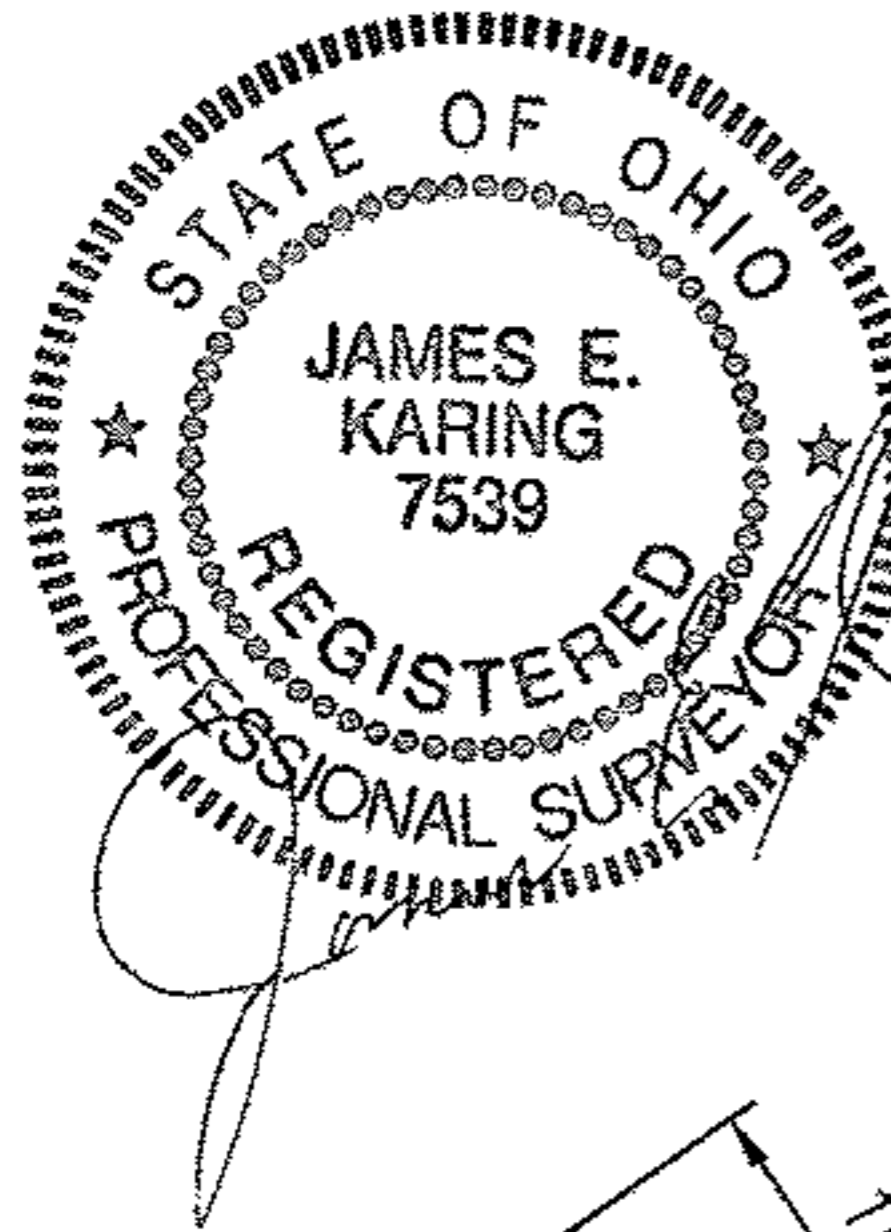
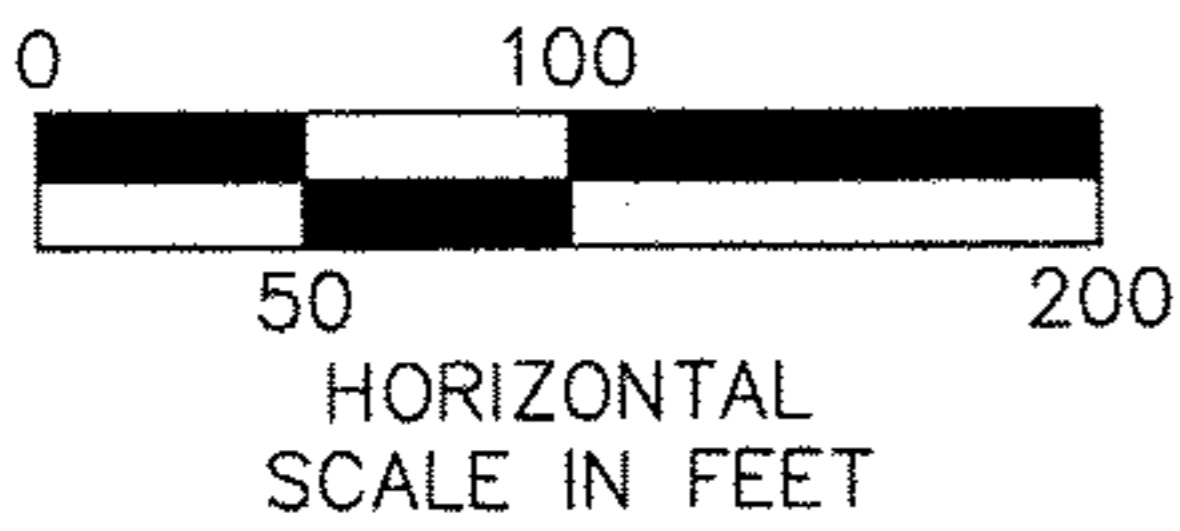


PART OF ORIGINAL EATON TWP. LOT 58,
VILLAGE OF GRAFTON,
COUNTY OF LORAIN,
STATE OF OHIO



8/16/2000

C.C.C. & ST. L. R.R.

CONC POST

#5 REBAR

CONC POST

CONC POST

WOOSTER AVON LAKE ROAD

(S.R. 83)

No 01102

APPROVED
LORAIN CO.
MAP DEPT

DATE 6-7-02

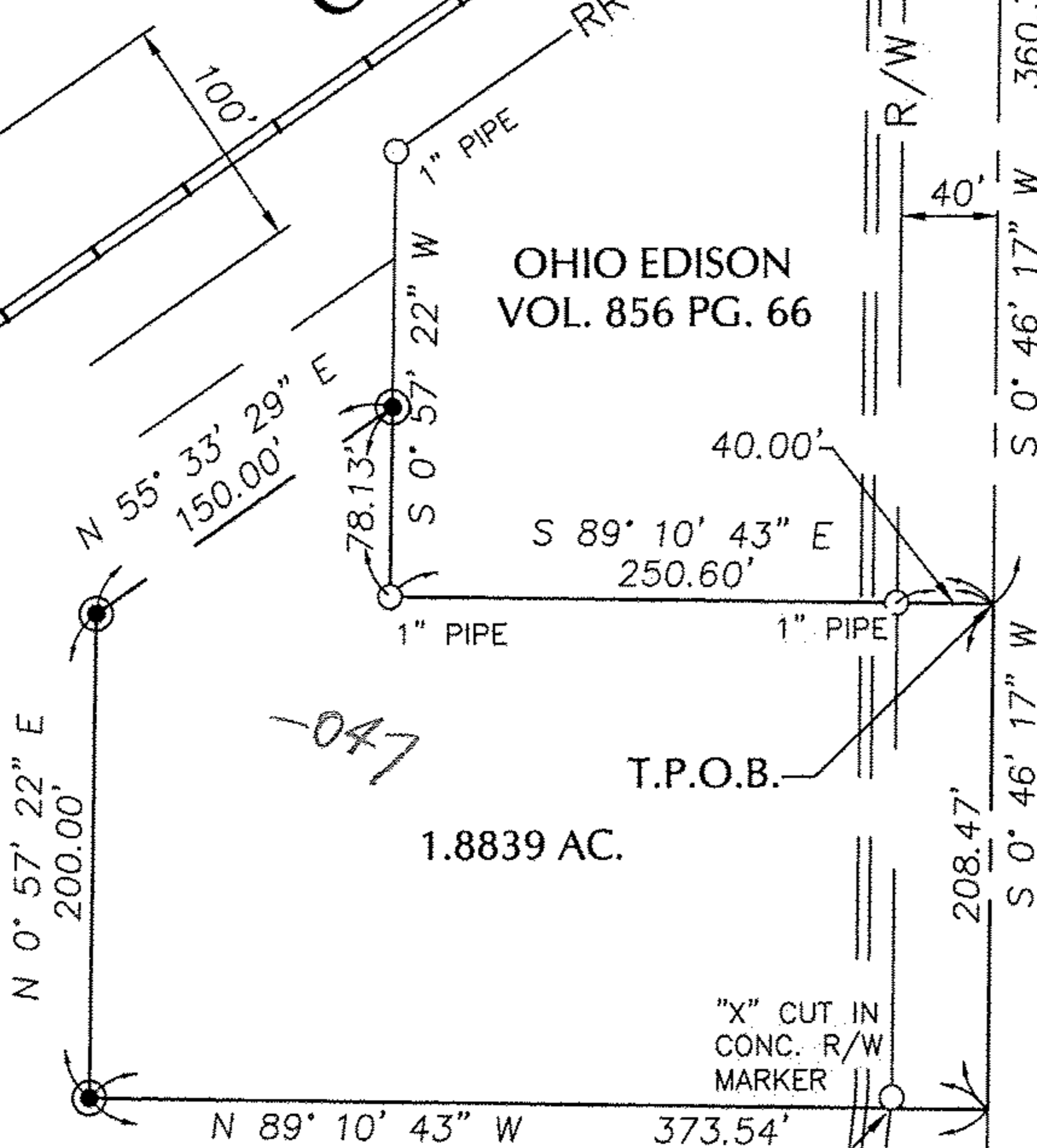
PAGE 11-00-058-B

"X" CUT-IN
CONC. R/W
MARKER

JHATfield

02-01102

Scan # 47963



OHIO EDISON
VOL. 856 PG. 66

1.8839 AC.

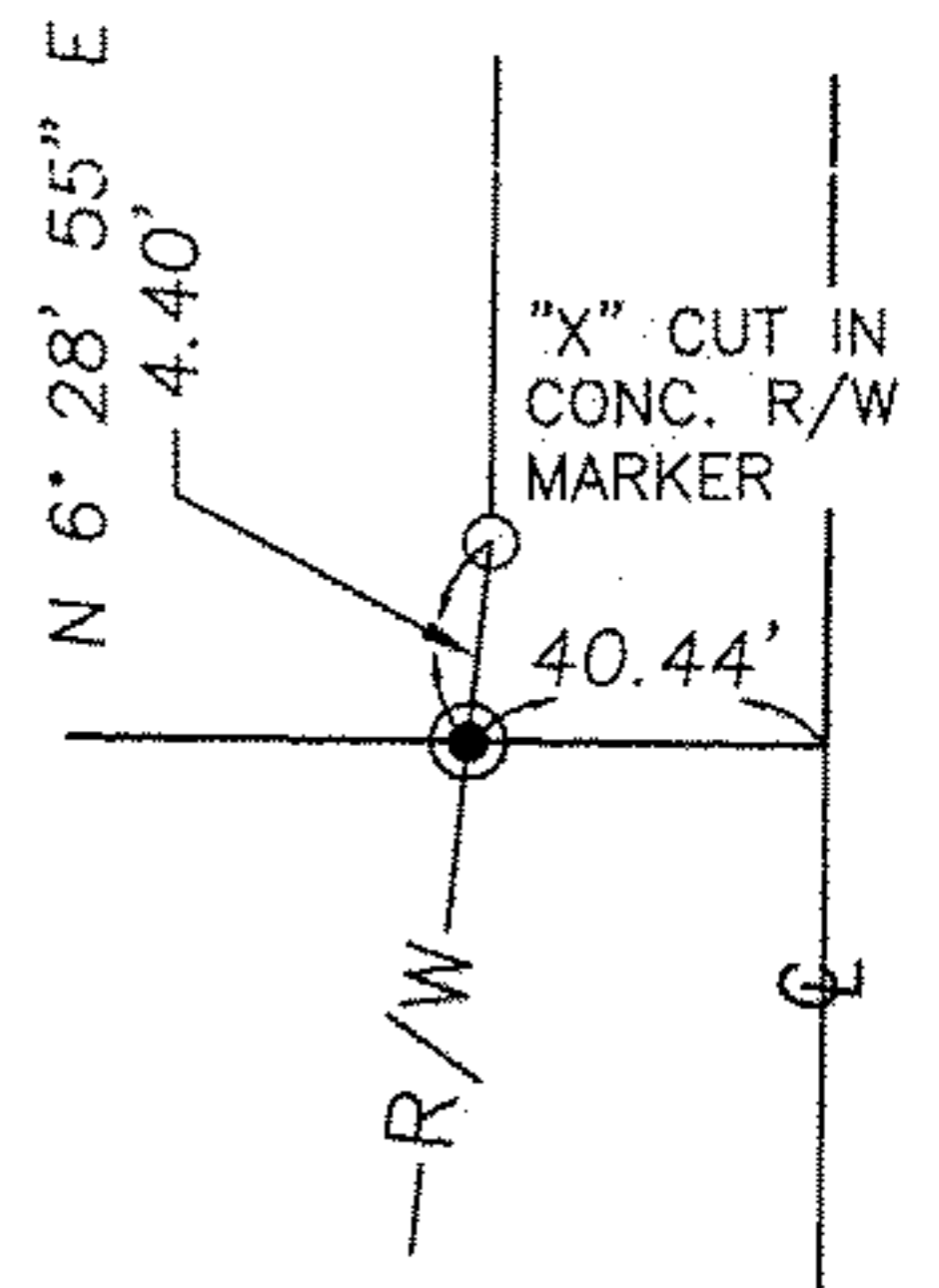
T.P.O.B.

STATE OF OHIO
VOL. 186 PG. 369

OHIO EDISON EASEMENT
VOL. 1425, PAGE 676

COLUMBIA GAS OF OHIO, INC.
EASEMENT VOL. 1307, PAGE 784

SEE DETAIL



DETAIL
(NO SCALE)

11-00-058-000-046 14.11A

TH 11-00-058-8