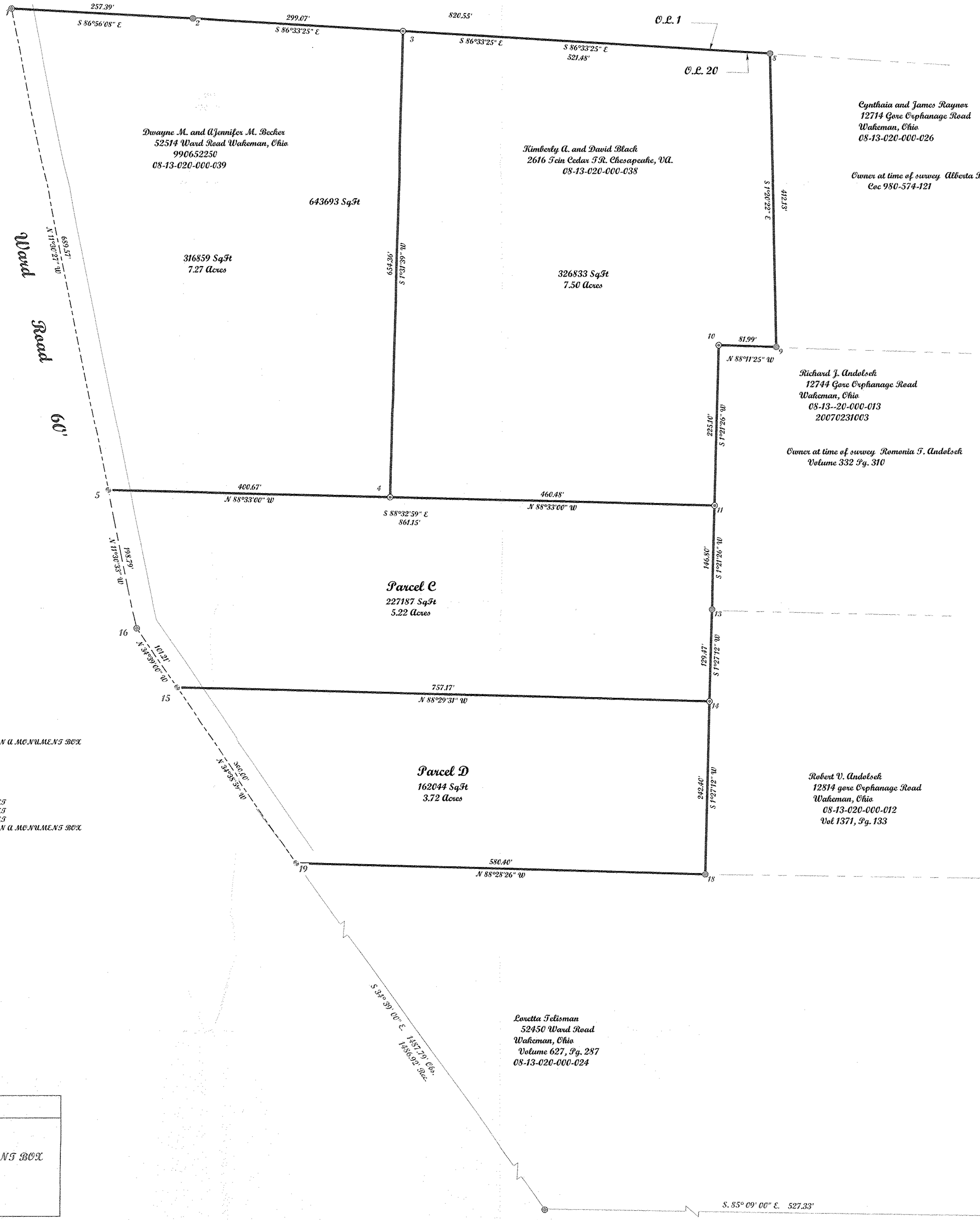
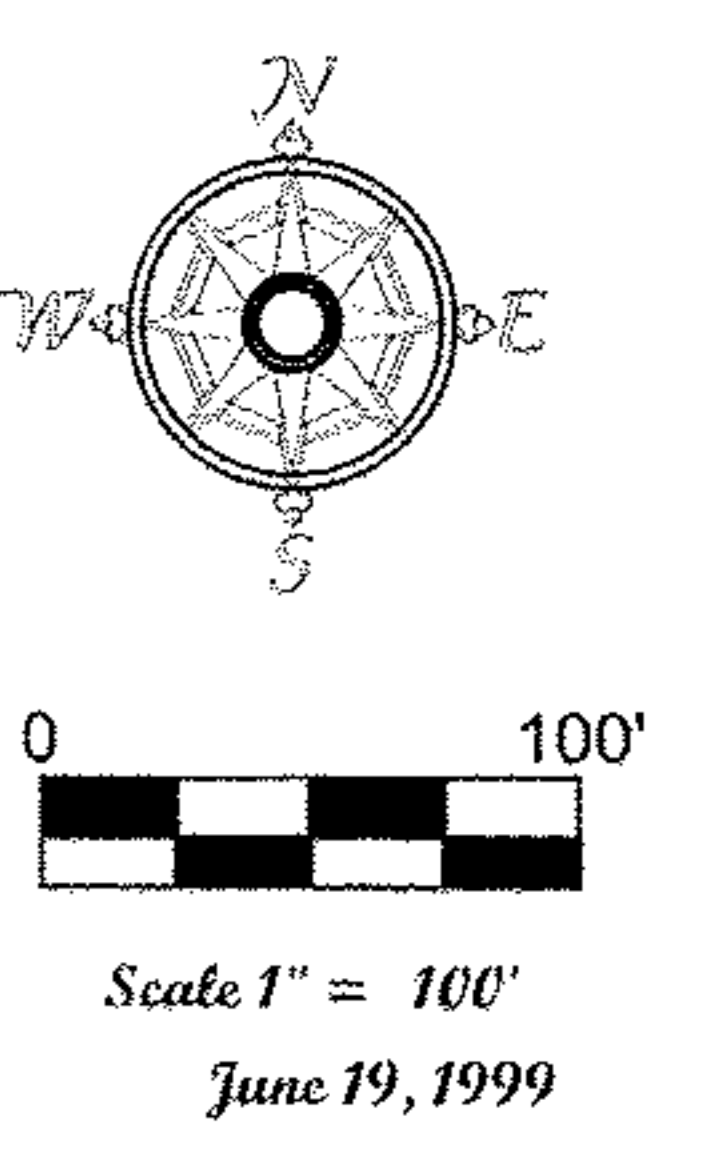


Note: Bearings shown are to an assumed Meridian and are used to describe angles only.

Being known as part of Original Lot 20 of Hamietta Township in the county of Lorain, and State of Ohio.

Cover at time of survey James J. Cole and Jean L. Melet Trustee  
C. R. Vol. 236, Page 407  
08-13-001-000-004



POINT	N	X	DESC
2	4986.24015	5257.02194	IRON P.N FOUND
8	4936.96079	6076.09083	IRON P.N FOUND
9	4524.94341	6085.72461	IRON P.N FOUND
1	5000.00000	5000.00000	IRON P.N FOUND J.N U. MONUMENT BOX
18	3783.99664	5985.33513	IRON P.N FOUND
3	4965.27905	5355.53211	IRON P.N SET
4	4314.15158	5538.10901	IRON P.N SET
10	4527.53268	6003.77551	IRON P.N SET
11	4302.49583	5998.44384	IRON P.N SET
14	4026.30866	5991.68305	IRON P.N SET
5	4324.29057	5137.56731	RAILROAD SPIKE SET
15	4046.23548	5224.77531	RAILROAD SPIKE SET
19	3799.44415	5405.34100	RAILROAD SPIKE SET
16	4129.49493	5177.23117	IRON P.N FOUND J.N U. MONUMENT BOX
13	4155.73701	5994.96677	IRON P.N FOUND

03240  
 APPROVED  
 LORAIN CO.  
 MAP DEPT  
 DATE 4-1-14  
 PAGE 8-E  
 BY JHATfield  
 #14-03240

**LEGEND**

- ⊙ Set Iron Pipe
- ⊙ IRON P.N FOUND J.N U. MONUMENT BOX
- ⊙ IRON P.N FOUND
- ⊙ RAILROAD SPIKE SET

**McGannon Surveying, LLC**  
 Boundary Survey  
 Patrick A. McGannon  
 Registered Professional Surveyor  
 1731 Gettysburg Drive, Lorain, Ohio 44053 (440) 282-2712  
 www.mcannonssurveying.com

Note: Only copies signed with Red ink shall be considered Valid.  
*Patrick A. McGannon*  
 Patrick A. McGannon P.S. 7154

Prepared for David Black of  
 2616 Fern Cedar F.R. Chesapeake, VA.

Note: Dimensions shown in Blue are record values and those shown in red are field observed values.  
 REC'D: JSD  
 J.N. 0591