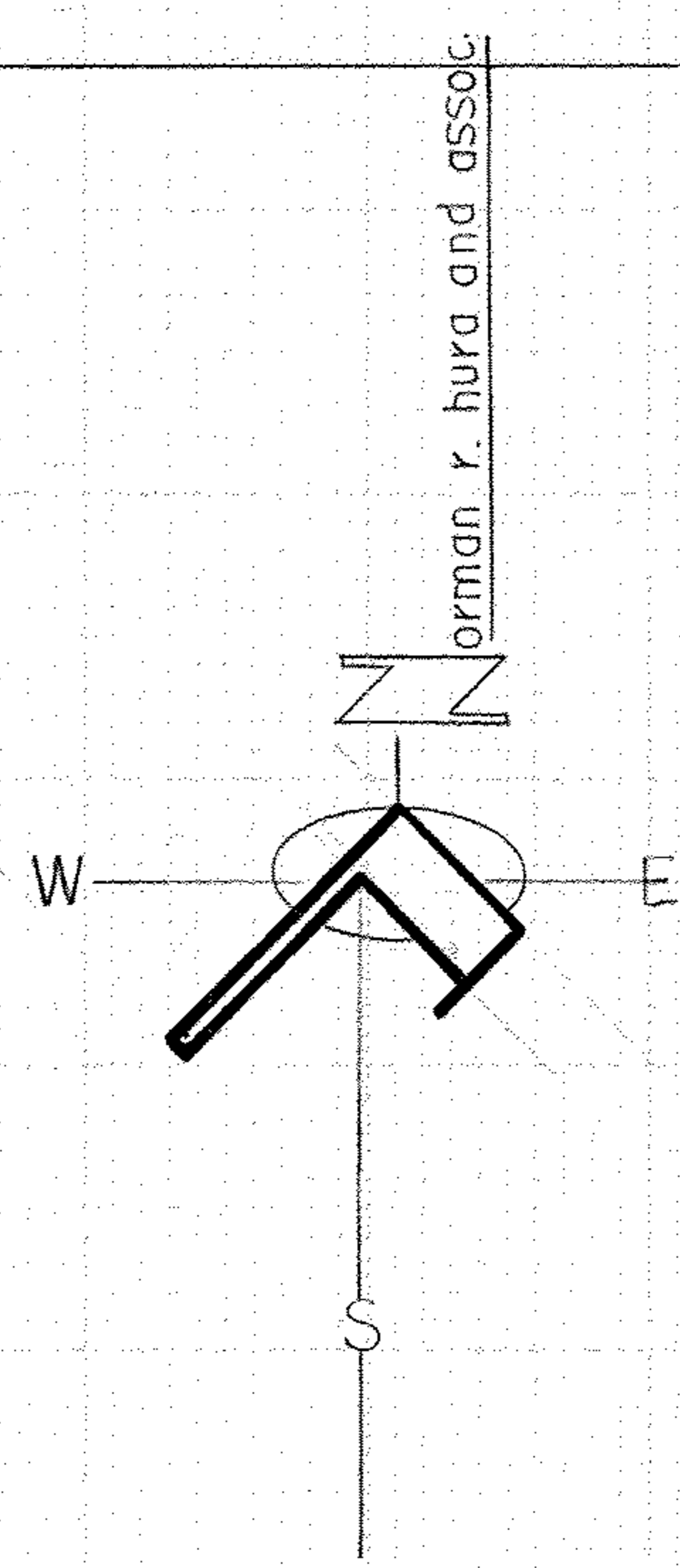


INDICATES PPN 4-00-011-107-081  
 PRESENTLY UNDER PURCHASE  
 BY HUNTERS WOODS, LTD.  
 PARTNERSHIP

APPROXIMATE ACREAGES		
SPLIT PARCEL	ACRES	SF
A	0.411	17920
B	0.367	16000
C	0.473	20607



PRELIMINARY PLAN

HUNTERS WOODS, A LIMITED PARTNERSHIP

PROPOSED LOT SPLITS FROM PPN 4-00-011-107-082

SCALE 1"=100'  
 NOVEMBER 1991