

REVISED 10-10-89

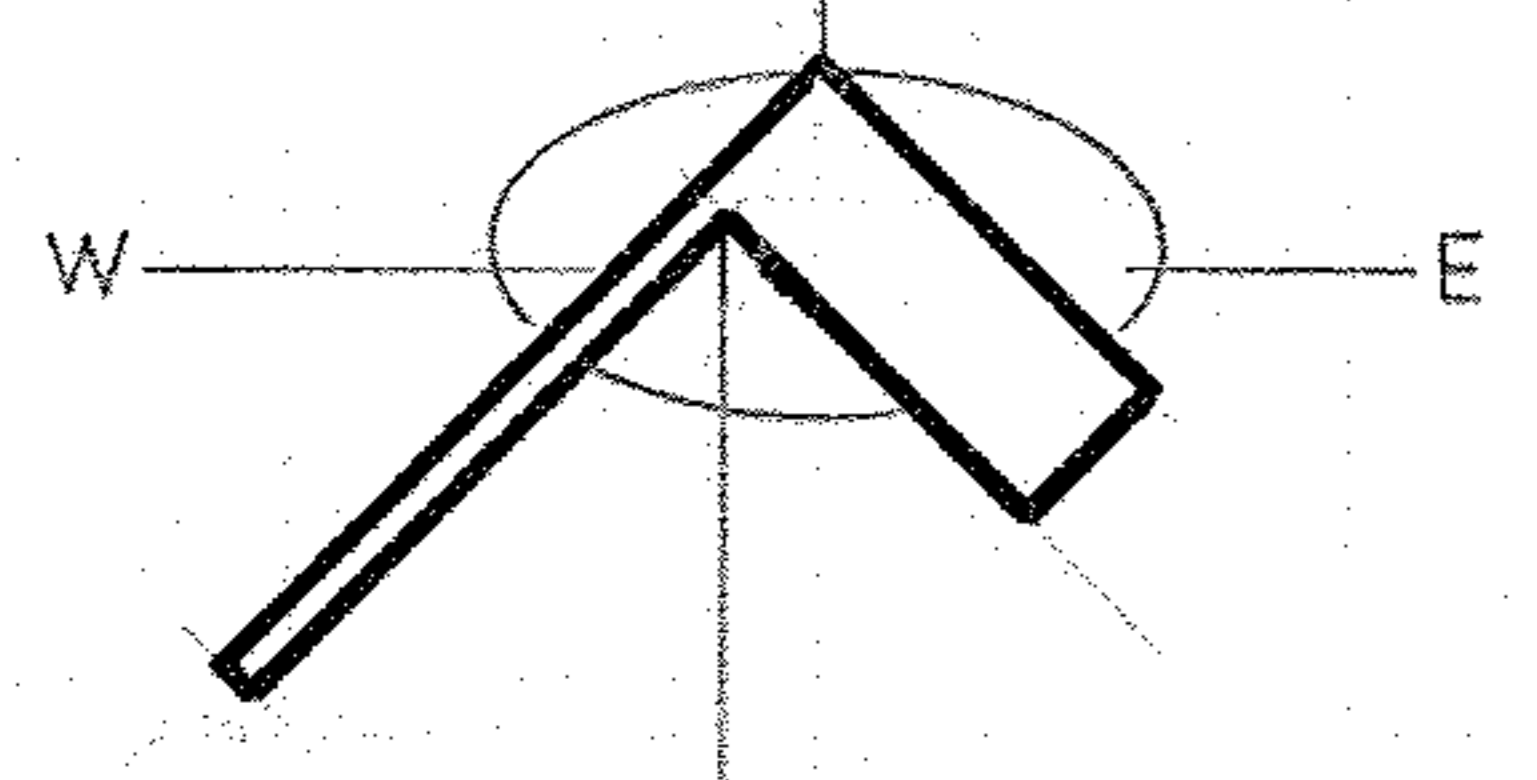
APRIL 1989  
SCALE 1" = 200'

CITY OF LORAIN  
LORAIN CO., OHIO

PLAT OF EASEMENTS  
O.L. NOS. 2, 3 TRACT NO. 2  
BLACK RIVER TWP.

BROADVIEW SAVINGS BANK

Norman R. Hura and Associates



MEADOWVIEW SUBDIVISION VOL. 36 PG 77

BROADVIEW SAVINGS AND LOAN CO.  
PARCEL NO. 7  
VOL. 1345 PG. 9-10

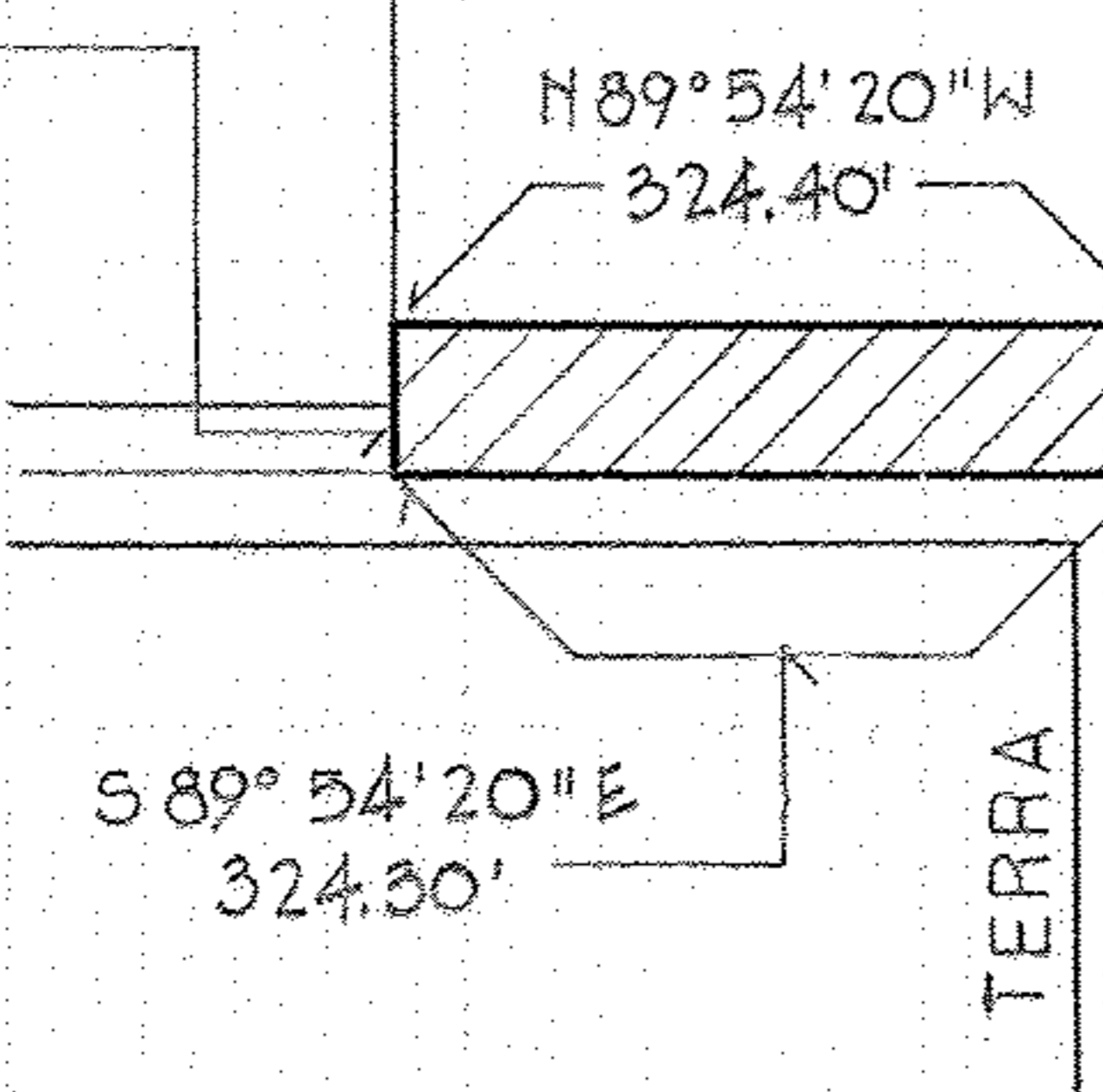
BROADVIEW SAVINGS AND LOAN CO.  
PARCEL NO. 8  
VOL. 1345 PG. 10-11

BROADVIEW SAVINGS & LOAN CO.  
PARCEL NO. 2  
VOL. 1345 PGS. 7-8

O.L. NO. 2  
O.L. NO. 3  
BROADVIEW SAVINGS AND LOAN CO.  
PARCEL NO. 3  
VOL. 1345 PG. 8

BROADVIEW SAVINGS AND LOAN CO.  
PARCEL NO. 5  
VOL. 1345 PG. 9

DUE SOUTH  
75.00'



COOPER

FOSTER

PARK ROAD  
SHARONDALE DR.

LEAVITT ROAD  
AKA SR 58

