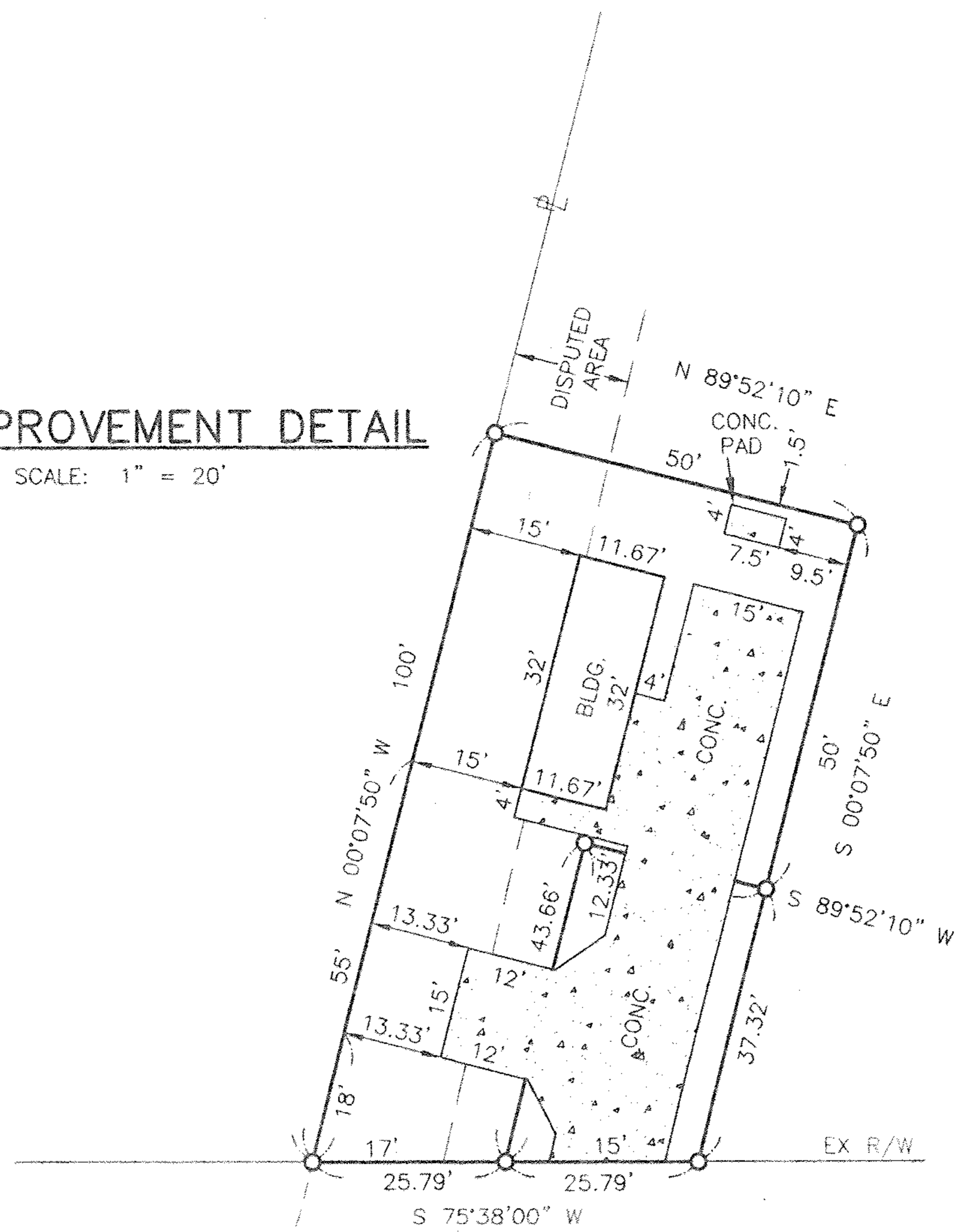


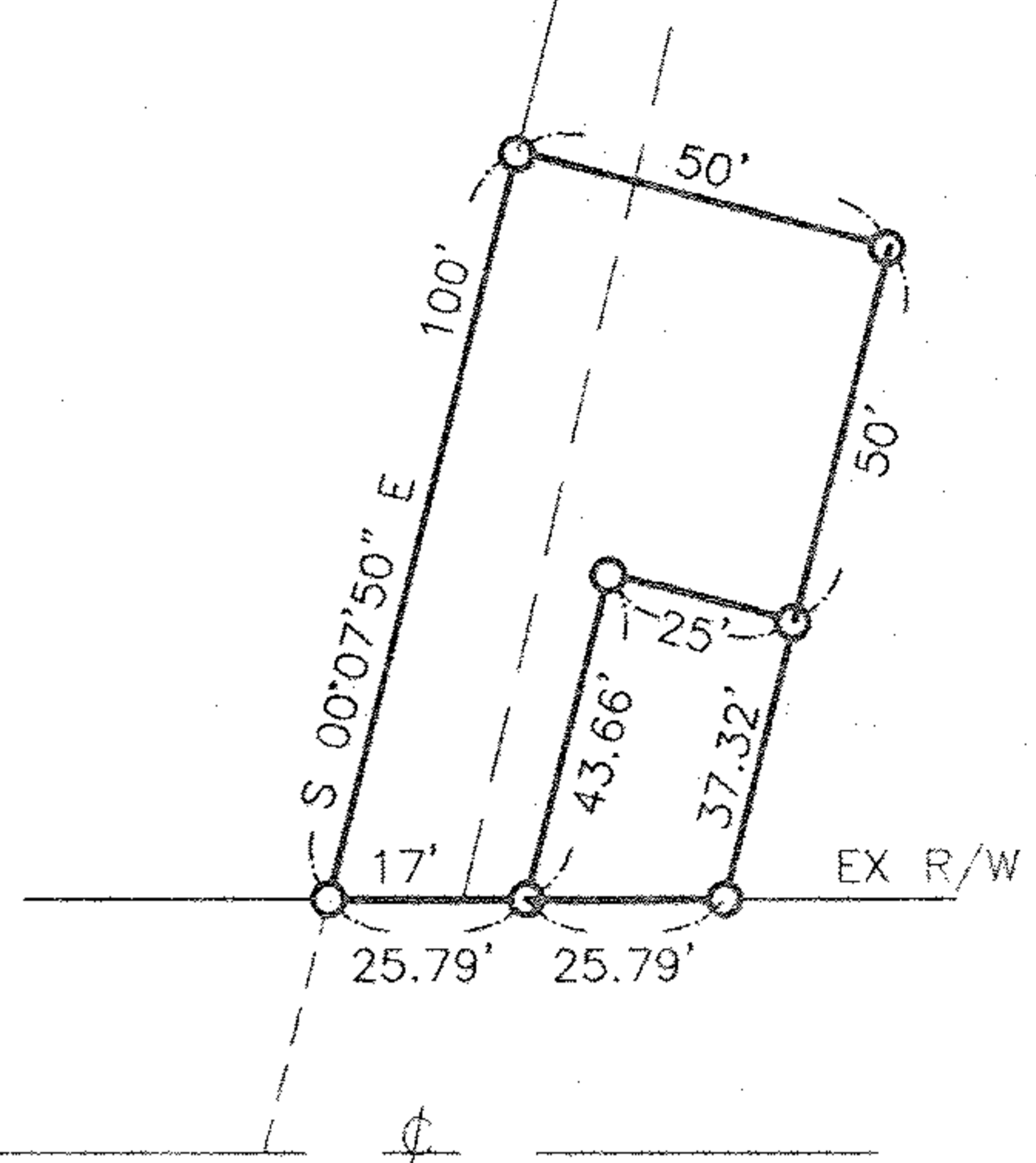
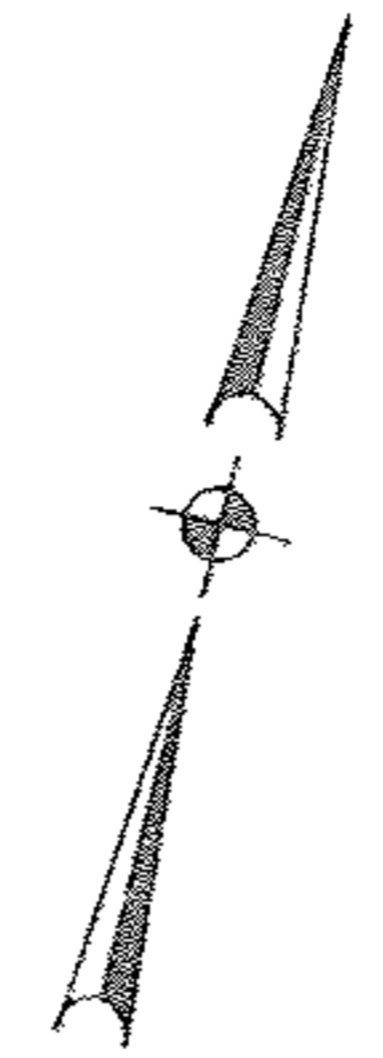
**SITE IMPROVEMENT DETAIL**

SCALE: 1" = 20'



S.R. 113 ELYRIA - MILAN RD 66'

BEARINGS SHOWN HEREON ARE TO AN ASSUMED MERIDIAN AND ARE USED TO DENOTE ANGLES ONLY.



**EASEMENT DETAIL**

SCALE: 1" = 40'

MAXINE L. SMITH  
ORV 1303 P 850

JOSEPH D. SIEKERS  
ORV 47 P 690

ORIGINAL EASEMENT TO  
CENTURY TELEPHONE OF OHIO, INC.  
O.R.V. 1234 P. 790  
EXPANDED EASEMENT AREA  
O.R.V. 1398 P. 540

CONC. R.O.W. MARKER  
FOUND & USED

EX R/W

142.03' CALC  
139.92' REC

1" PIPE  
FD & USED

S 75°38'00" W

773.81' CALC

192.50' R & U

CONC. R.O.W. MARKER  
FOUND & USED

CONC. R.O.W. MARKER  
FOUND & USED

S.R. 113

ELYRIA - MILAN RD 66'

EX R/W

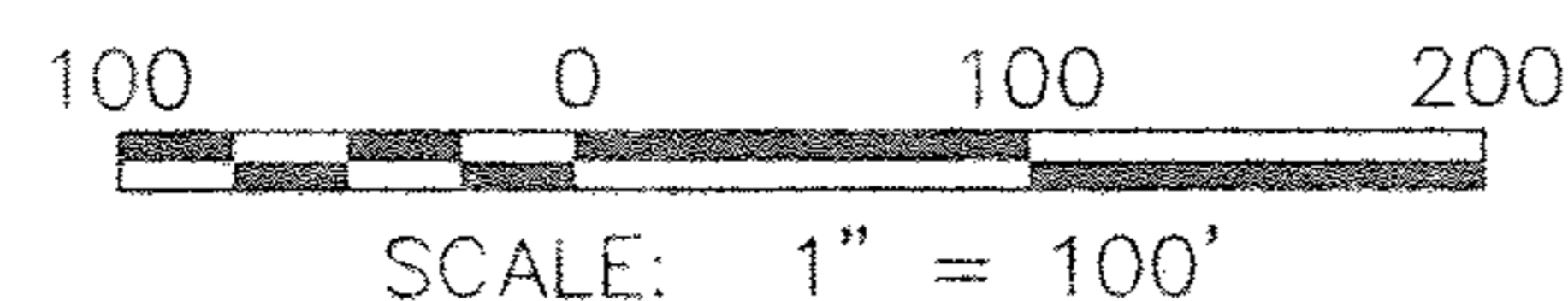
CONC. R.O.W. MARKER  
FOUND & USED

**LEGEND**

- 5/8" CAPPED REBAR SET
- IRON PIN FOUND
- Ⓜ MONUMENT BOX FOUND

**ABBREVIATIONS**

- REC - RECORD
- R & U - RECORD & USED
- CALC - CALCULATED



1" PIPE  
FD & USED

*David L. Elwell*  
DAVID L. ELWELL  
REGISTERED SURVEYOR NO. 6333



**SURVEY MAP**  
PART OF ORIG. HENRIETTA TWP.  
LOT NO. 91  
TOWNSHIP OF HENRIETTA  
COUNTY OF LORAIN STATE OF OHIO  
11-20-96  
REV. 7-1-97

KS ASSOCIATES, INC.  
ENGINEERS/SURVEYORS  
434 Middle Avenue  
P.O. Box 88  
Elyria, Ohio 44038  
PHONE (216) 322-6317 \* FAX (216) 284-0623

