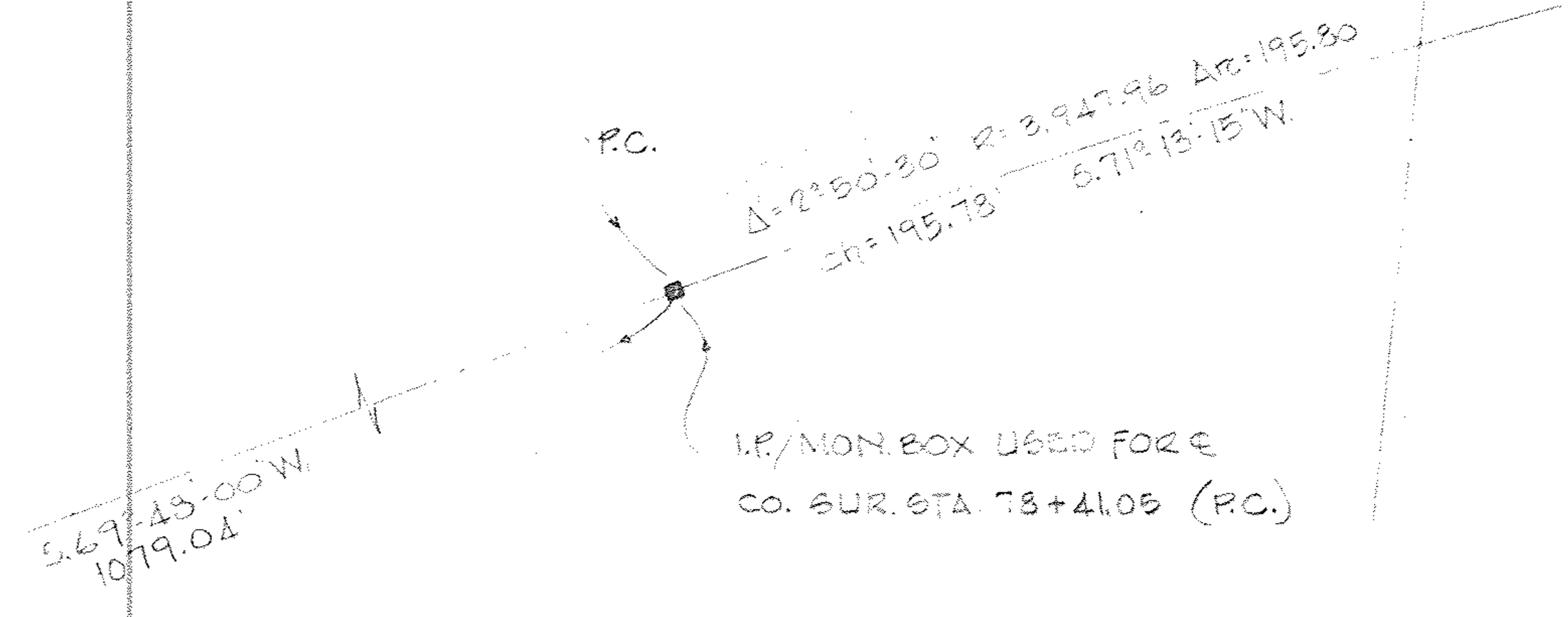


INDIAN HOLLOW RD.



SURVEY FOR
HERBERT W. HALLETT JR.

PART OF ORIG. SEC. NO 7 TOWNSHIP OF CARLISLE
 COUNTY OF LORAIN STATE OF OHIO
 SCALE 1"=50' SEPT. 1994
 LAUNOON • SIMON • CAHL & ASSOC.
 ENGINEERS SURVEYORS
 94-2610 FB 233 P 41

WEST LINE of LEROY FORTHOFFER SUBN. NO 1
 P.V. 19 P 2A

7/24/94