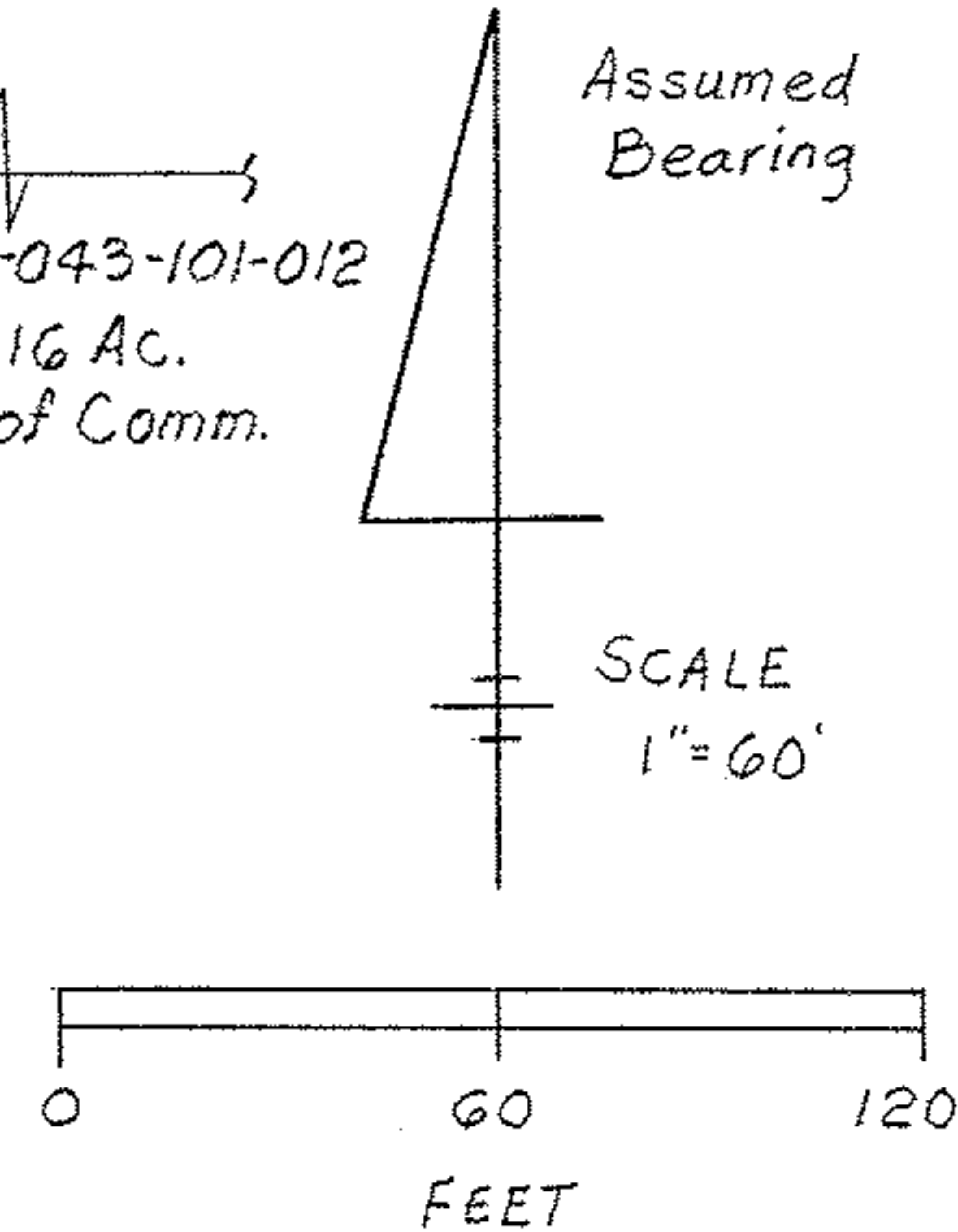
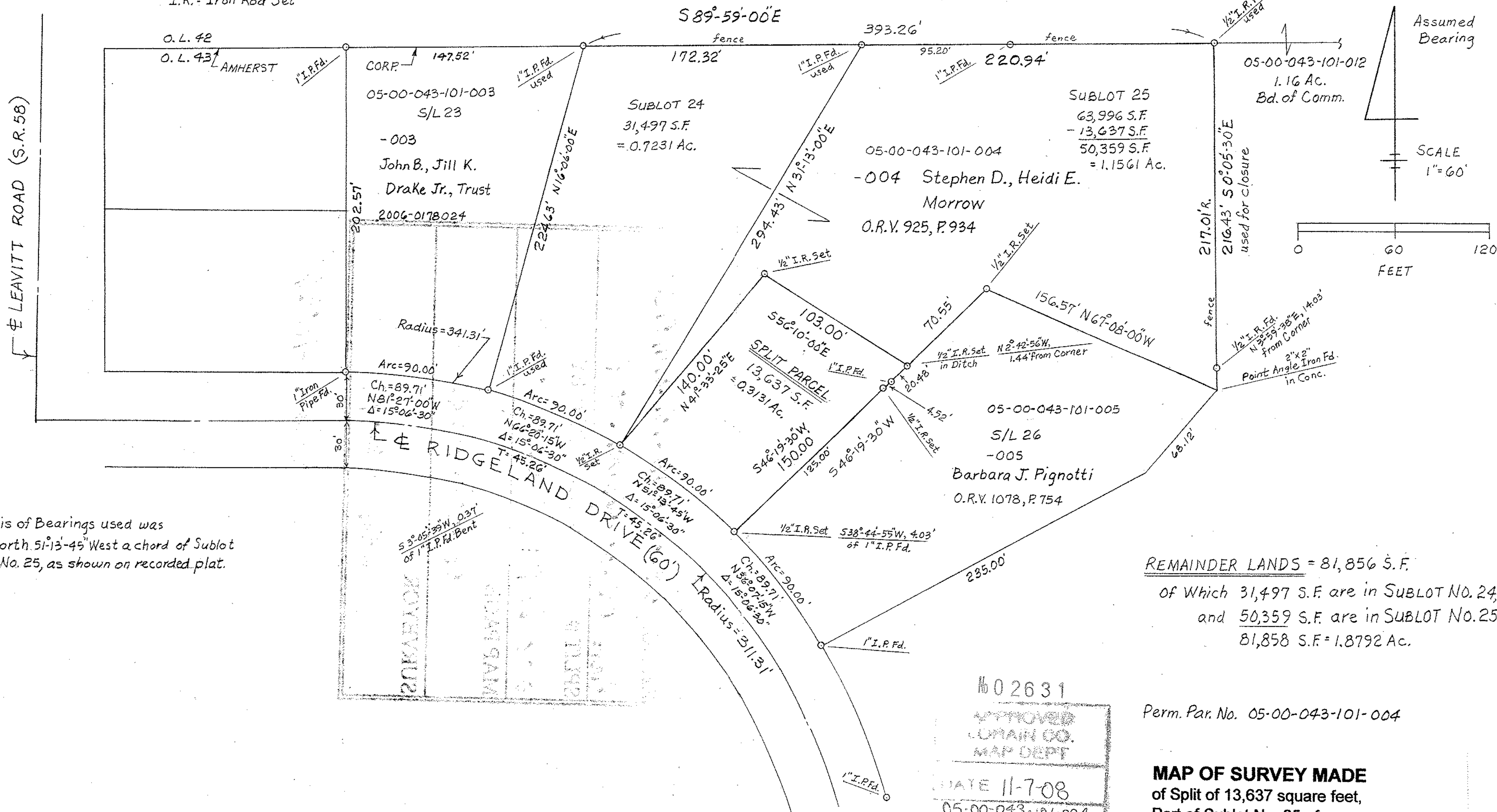


LEGEND:
 ○ Denotes Point
 I.P. = Iron Pipe Found
 I.R. = Iron Rod Set

05-00-042-106 -001 21.27 Ac. Board of Commissioners Lorain County, Ohio.
 Y.252, P.551, 552

NORTH



Basis of Bearings used was
 North 51°13'45" West a chord of Sublot
 No. 25, as shown on recorded plat.

REMAINDER LANDS = 81,856 S.F.
 of which 31,497 S.F. are in Sublot No. 24,
 and 50,359 S.F. are in Sublot No. 25.
 81,858 S.F. = 1.8792 Ac.

Charles P. Waryu November 16, 2007
 CHARLES P. WARYU
 Registered Surveyor No. 5029

02631
 APPROVED
 LORAIN CO.
 MAP DEPT
 DATE 11-7-08
 05-00-043-101-004
 PAGE 5-00-043-A
 BY JHATFIELD
 # 08-02631

Perm. Par. No. 05-00-043-101-004

MAP OF SURVEY MADE
 of Split of 13,637 square feet,
 Part of Sublot No. 25 of
 Ridgeland Heights Subdiv. No.2
 Plat Volume 15, Page 71
 City of Amherst, Lorain Co. Ohio
 For Stephen D. Morrow November 2007