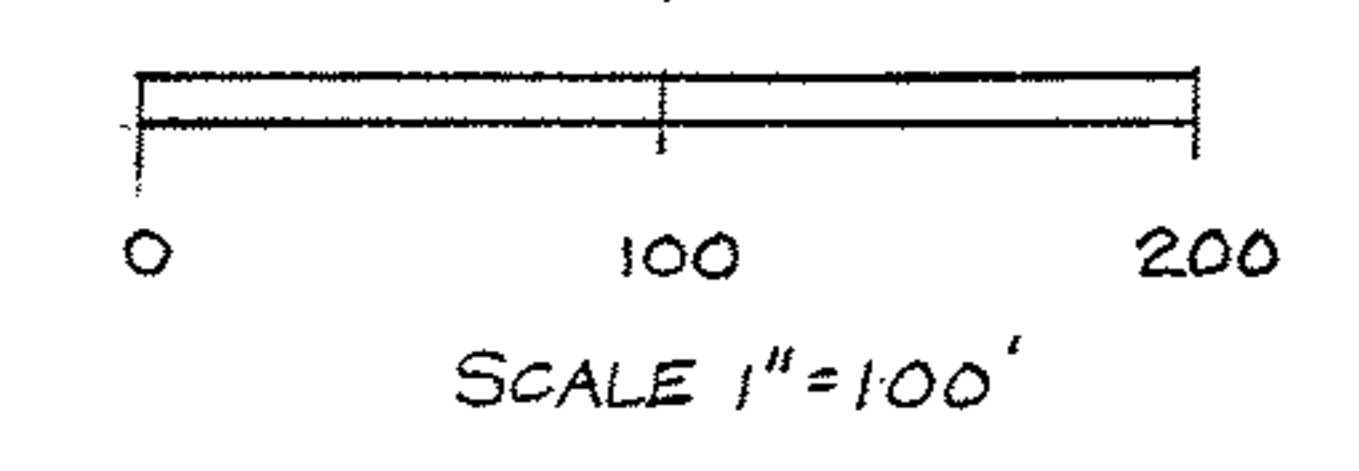
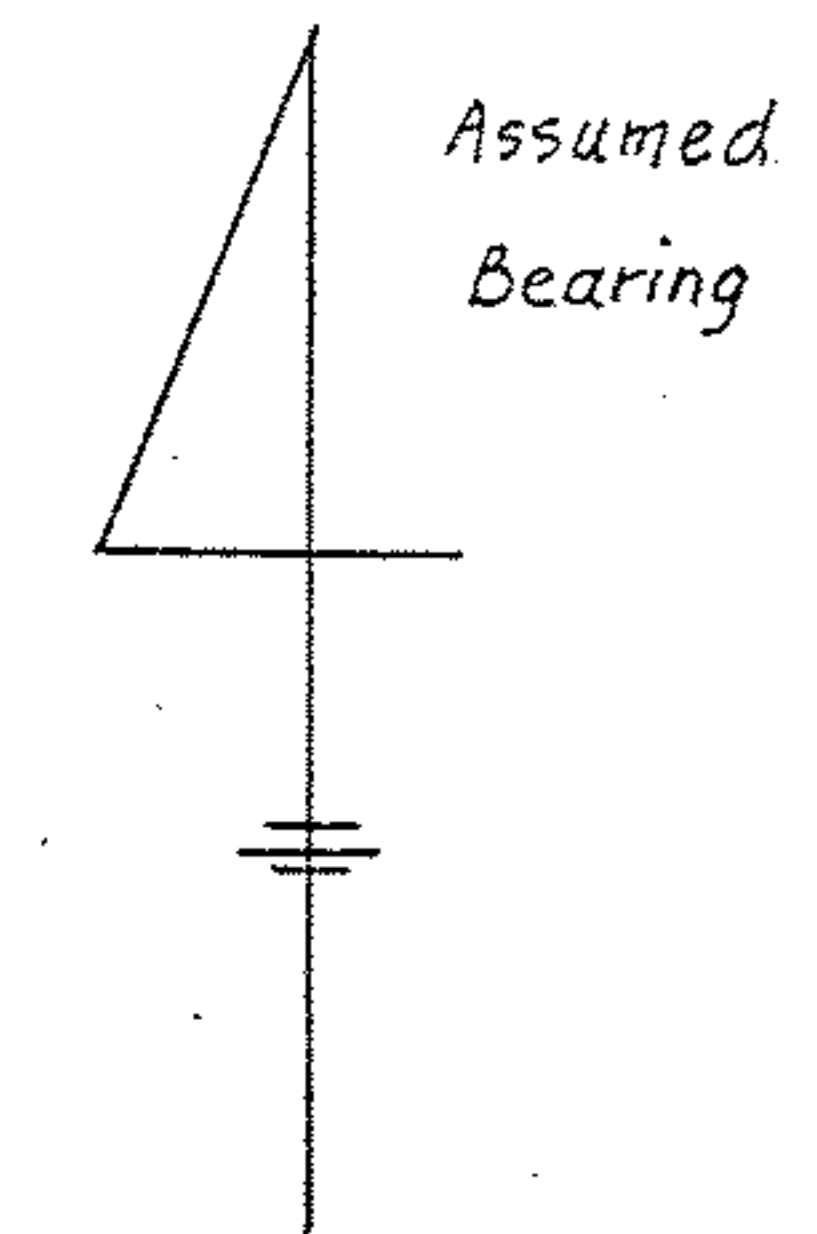


NORTH



No 02597
 APPROVED
 LORAIN CO.
 MAP DEPT
 DATE 8-14-08
 10-00-007-101-019
 PAGE 10-00-007-A
 BY JHAfield
 #08-02597

Perm. Par. No. 10-00-007-101-010

Charles P. Waryu 5/19/08
 CHARLES P. WARYU
 Registered Surveyor No. 5029

MAP OF SURVEY MADE
 Part of Original Lot No. 7
 Carlisle Twp. Lorain Co., Ohio
 For Sean S. Davis May 2008