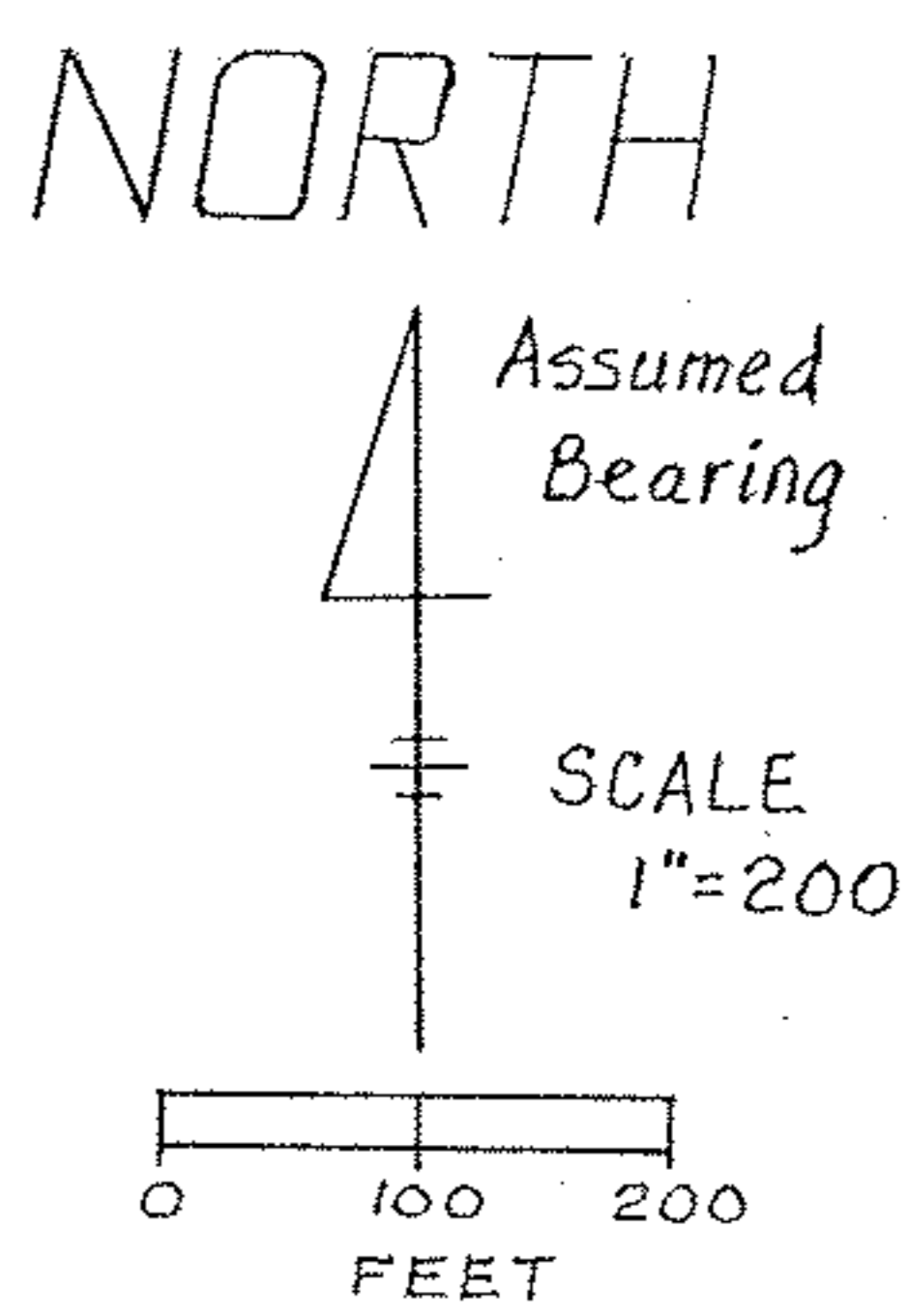


2.7548 Acres
 5.0565 Acres
 Combined = 7.8113 Acres



Daniel E. Brasee 17-08-019-000-002

MAP OF SURVEY MADE
 SPLIT OF 5.0565 ACRES
 PART OF ORIGINAL BRIGHTON
 TOWNSHIP LOT NO. 19, TRACT 8,
 LORAIN COUNTY, OHIO
 For Daniel E. Brasee September 2007

No 02488

APPROVED
 LORAIN CO.
 MAP DEPT

DATE 11-8-07

17-08-019-000-017, -002

PAGE 17-A

BY JWA/field

Sept. 7, 2007

17-08-019-000-002

Charles P. Waryu
 CHARLES P. WARYU
 Registered Surveyor No. 5029