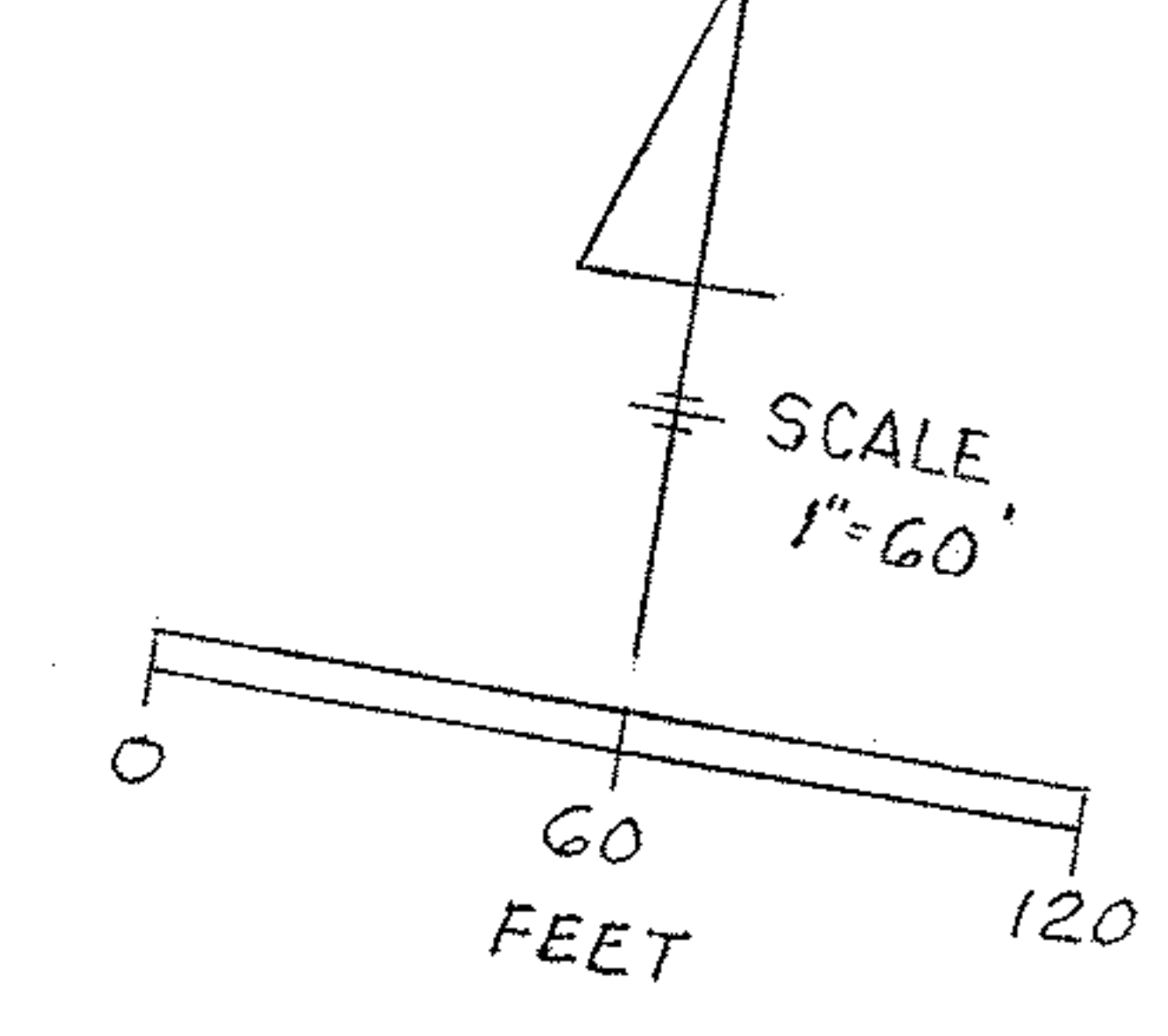
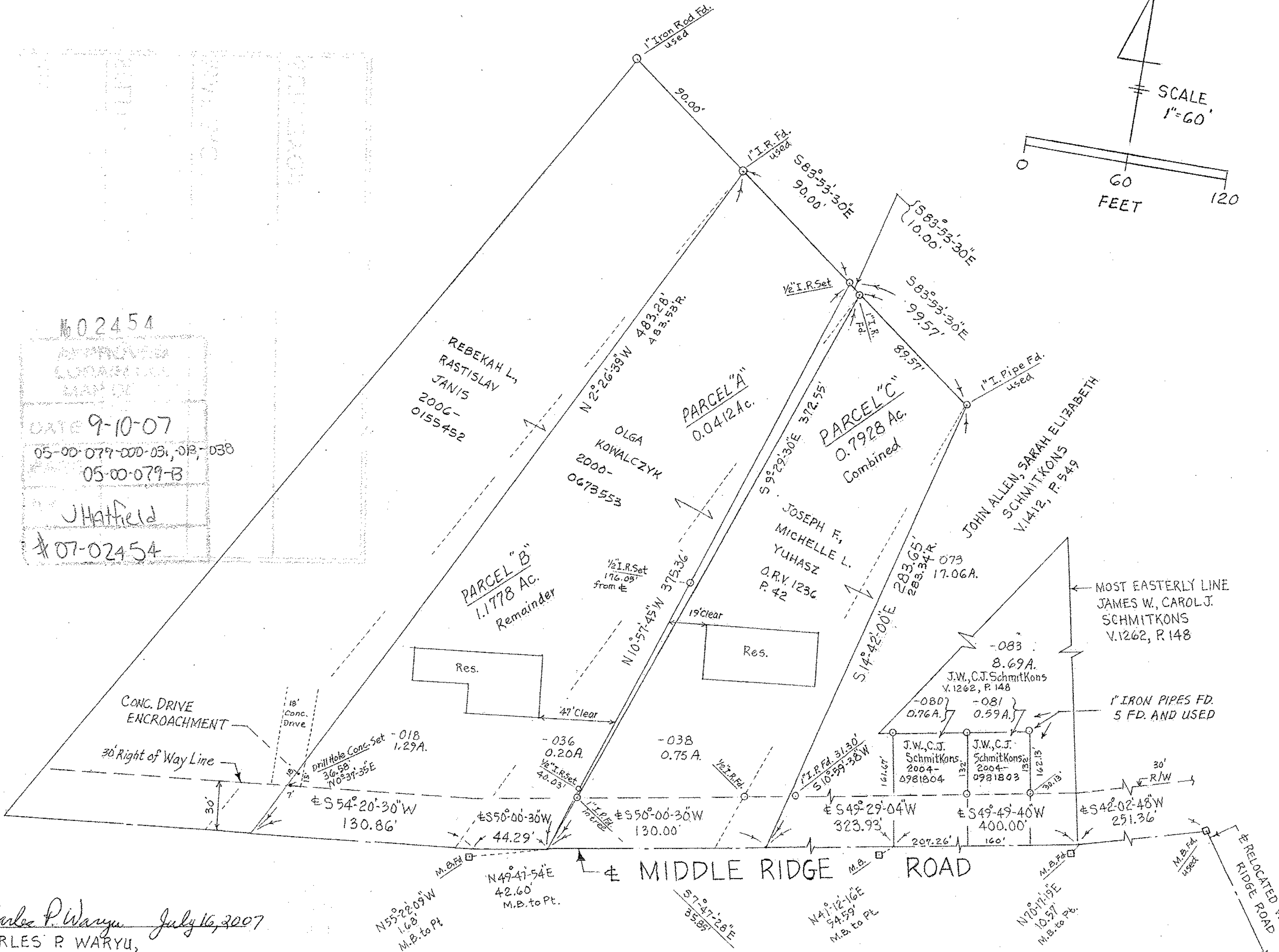


NORTH



NO 02454
 APPROVED
 LOCAL MAP DE
 DATE 9-10-07
 05-00-079-000-031, 018, 038
 05-00-079-B
 J Hatfield
 #07-02454



PROPOSED DIVISION

- PARCEL "A" 0.0412 Acres (SPLIT)
- PARCEL "B" 1.1778 Acres (REMAIN)
- PARCEL "C" 0.7928 Acres (COMBINE)

MAP OF SURVEY MADE
 Part of Original Amherst
 Lot No. 79,
 Lorain County, Ohio
 For Joseph Yuhasz July 2007

Charles P. Waryu July 16, 2007
 CHARLES P. WARYU,
 Registered Surveyor No. 5029