

-002 11.11A.  
Russell H.,  
Beverly A.  
Schmalz, Trust  
2005-0108716

-028 20.42 Ac.  
Russell H., Beverly A. Schmalz, Trust  
22.2099 Ac. by Survey  
(-) 2.0034 Ac. Exception  
20.2065 Ac. Net

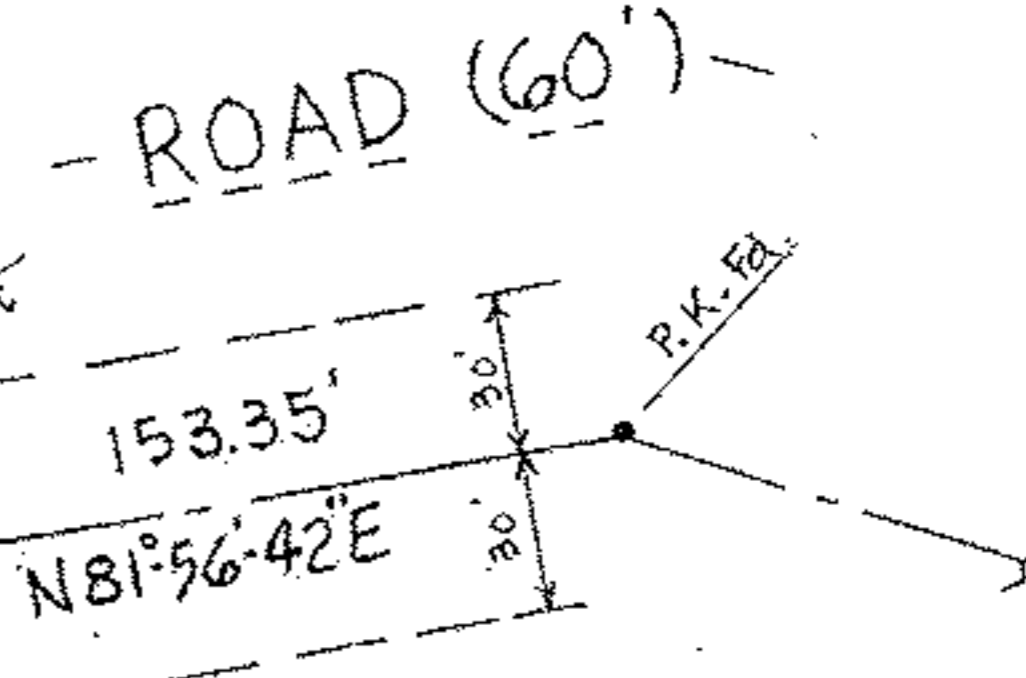
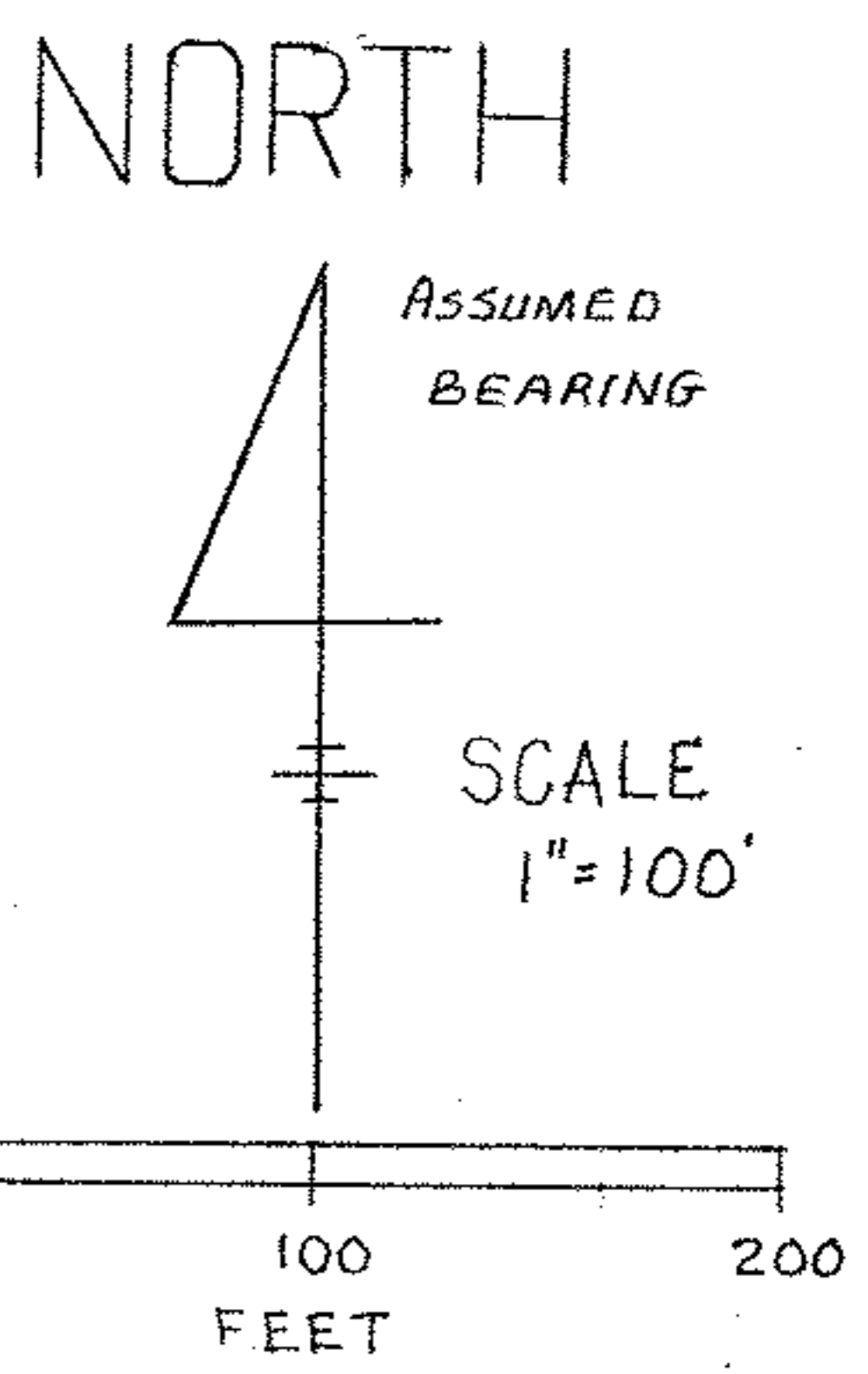
-026 9.70 A.  
R.H., B.A. Schmalz Tr.

-025 7.88A.  
William D., Diane K.  
Perritt  
2006-0174032

-027 39.04 A.  
William D., Diane K. Perritt  
2006-0174033

-023 5.70 A.  
John D.,  
Michelle L.  
Schmalz  
2006-0172318

-010 2.00A.  
2.0034 A. by survey  
Peggy New  
2003-0910914



P. P. No. 01-00-065-000-028

MAP OF SURVEY MADE  
Part of Original Brownhelm  
Township Lot No. 65, Lorain  
County, Ohio.  
For Russell H. Schmalz  
April, 2007

Charles P. Waryu April 9, 2007  
Charles P. Waryu, Reg. Surveyor No. 5029

-002 96.59 A.  
Board of Park Commissioners  
Lor. Co. Metro. Park District