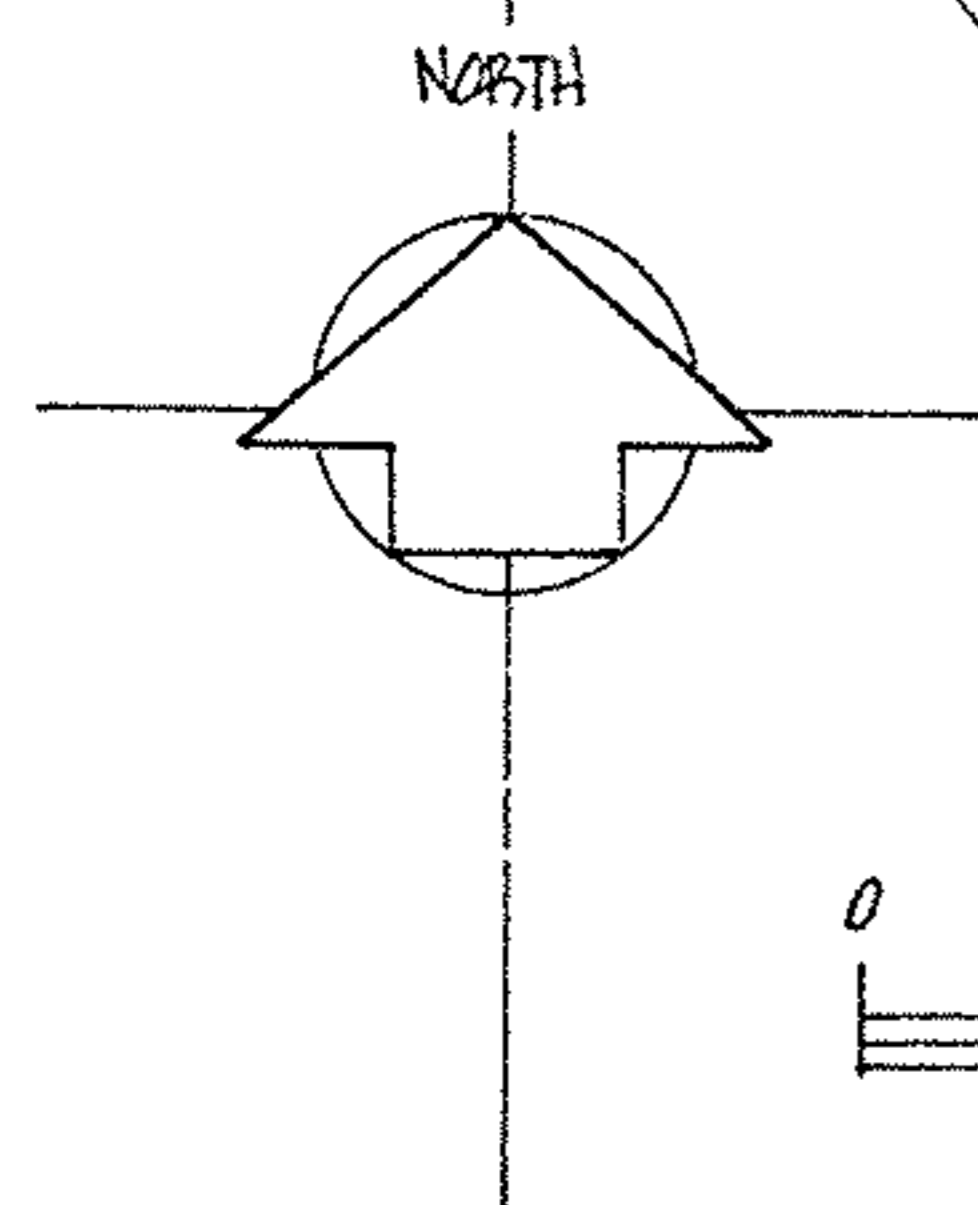


DESCRIPTION, 0.4706 ACRES:

SITUATED in the Village of Sheffield, County of Lorain and State of Ohio. Being known as part of Original Sheffield Township Lot 14, bounded and described as follows;

BEGINNING at a point in the centerline of Abbe Road being South 4°30' West a distance of 756.32 feet from the northeast corner of Original Lot 14. THENCE North 85°09'30" West, a distance of 103.00 feet to a point in the westerly right-of-way line of Abbe Road and the principal place of beginning.

THENCE North 85°09'30" West along the southerly line of lands under title to Jack N. and Sandra A. Hannon by virtue of deed recorded in Volume 1024, Page 142 of Lorain County Records, a distance of 205.00 feet to a point. THENCE South 4°30'00" West, a distance of 100.00 feet to a point in the northerly line of lands conveyed to James E. and Opal P. Lilly by deed recorded in O.R. Volume 895, Page 748 of Lorain County Records. THENCE South 85°09'30" East along said northerly line, a distance of 205.00 feet to the westerly right-of-way line of Abbe Road. THENCE North 4°30'00" East along said right-of-way line, a distance of 100.00 feet to the principal place of beginning, embracing 0.4706 acre of land, but being subject to all legal highways, as surveyed by M.G. Hura, March, 1998.



**#22560**

APPROVED	
LORAIN CO.	
MAP DEPT.	
DATE	6-24-98
PAGE	300-01A-B
BY	F. COLBERT
VOID	
AFTER	



PARCEL SPLIT APPROVALS

PARTS OF ORIGINAL LOT 14 SHEFFIELD VILLAGE  
LORAIN COUNTY, OHIO MARCH, 1998

SCALE 1" = 200 FT.