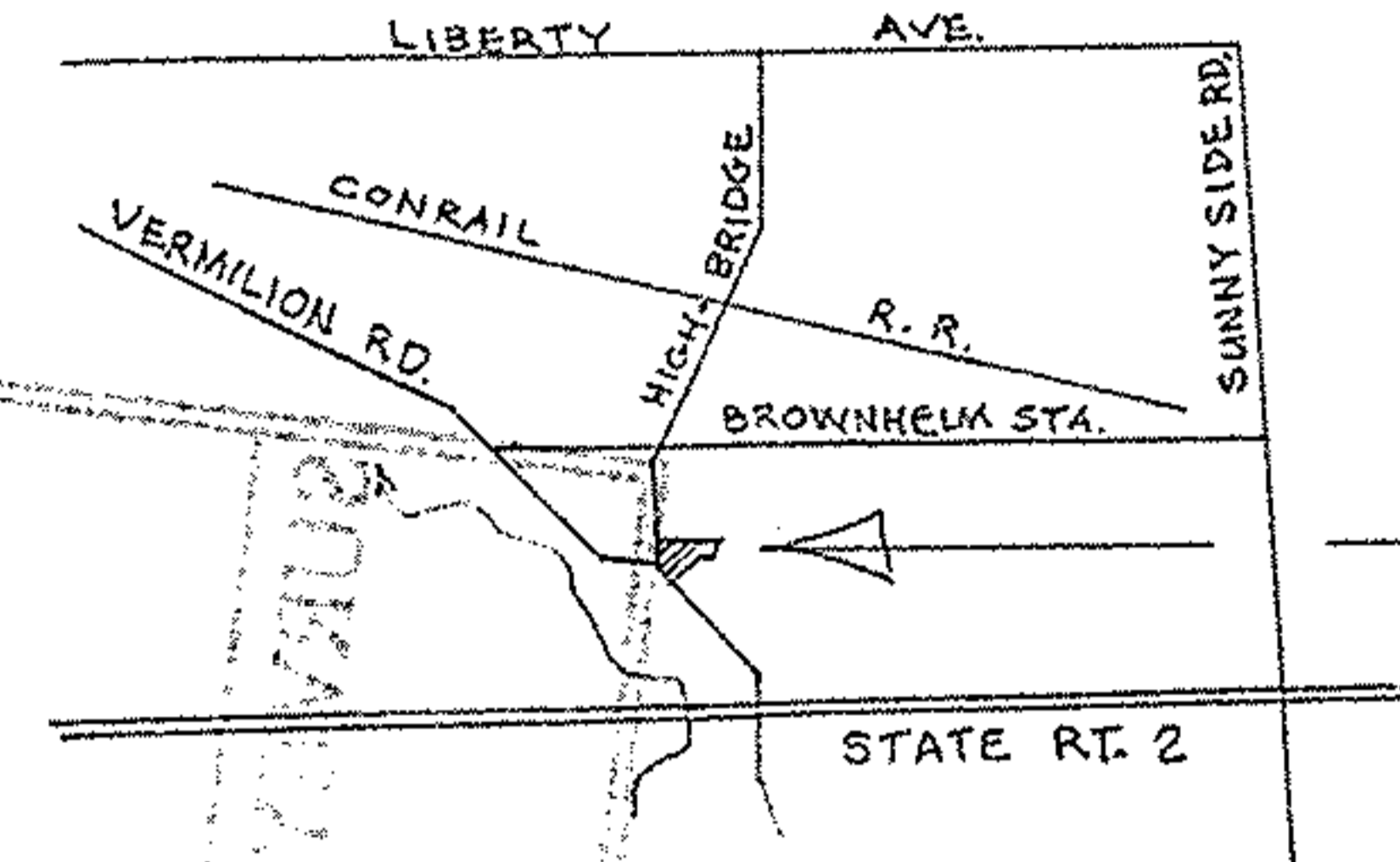
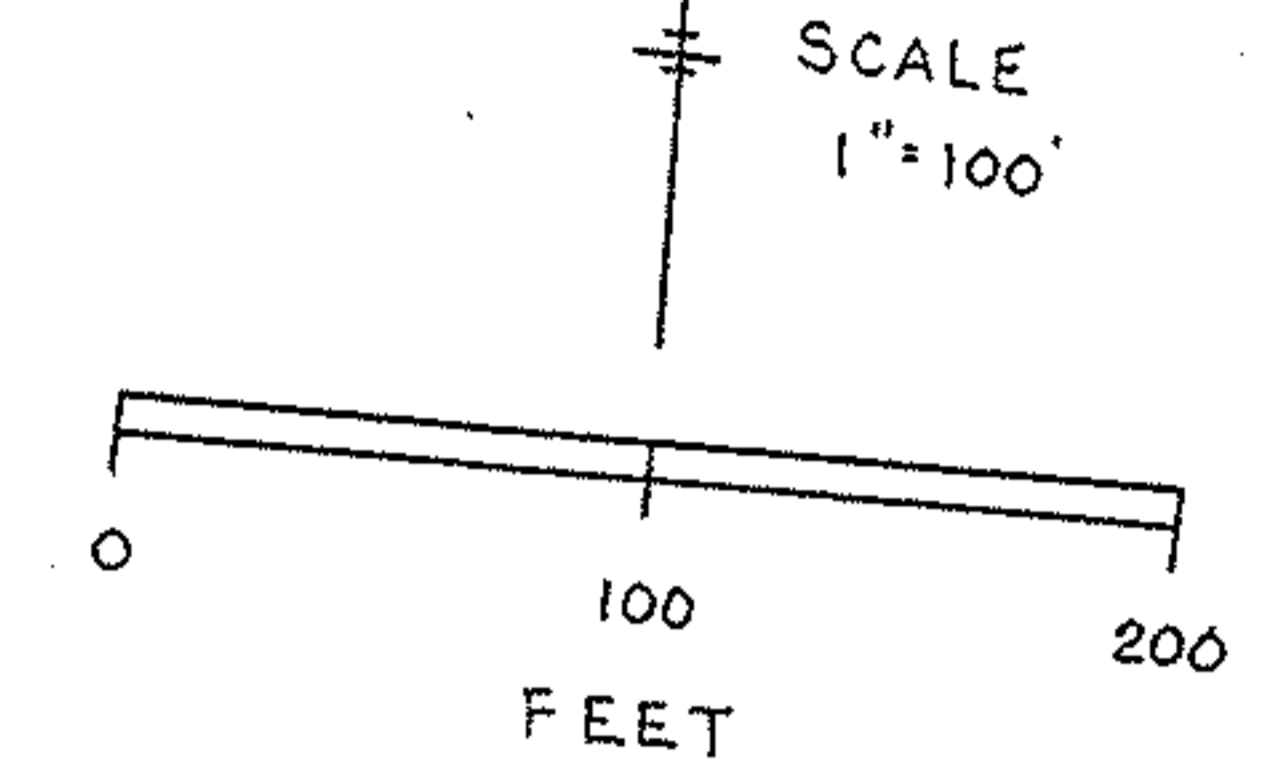


2084.26' To East Line O.L. 18
(by Tax Map)

02356
APPROVED
LORAIN CO.
MAP DEPT.
DATE 4-13-07
PAGE 1-00-018A
BY R. MAINES
07-02356

NORTH
Assumed Meridian



LOCATION
MAP
PROJECT
PARCEL SITE

BASIS OF BEARINGS USED WAS THE CENTERLINE OF
HIGHBRIDGE ROAD, S2°59'30"W.

LEGEND: (Read Map Details)
IRON PIPES FOUND ○
IRON RODS SET ●
P.K.NAIL FOUND •

Combination 0.1953 A.
0.6847 A.
0.8800 A.

P.P.No. 01-00-018-000-017
P.P.No. 01-00-018-000-068

MAP OF SURVEY MADE

Proposed Parcel 0.1953 Acres and
Combination with 0.6847 Acres
Part of Original Brownhelm Twp. No. 18,
City of Vermilion, Lorain County, Ohio
Sept. 15, 2006 Revised
For Ryan Stark April, 2006

-078

01-00-018-000-068 60.13A.
Erie Shores Associates (-) 0.1953 Ac.
V. 1374 P. 228 59.9347 Ac. Remainder

1" Iron Pipe Fd. used for Closure of Combination
1/2" Iron Rod Set

-062 1.00 A.
Todd W. Ott
2006-0141530

-017 0.69 A.
Ryan Stark
Sharon Jackson
1997-0491913

-026 0.52 A.
Richard C.
Diane M. Nader
1998-0512934

-028
Dennis, Kathleen M.
George, Peterka Subdiv.
V. 24, P. 53

Charles P. Waryu Sept 15, 2006
Charles P. Waryu,
Registered Surveyor No. 5029

