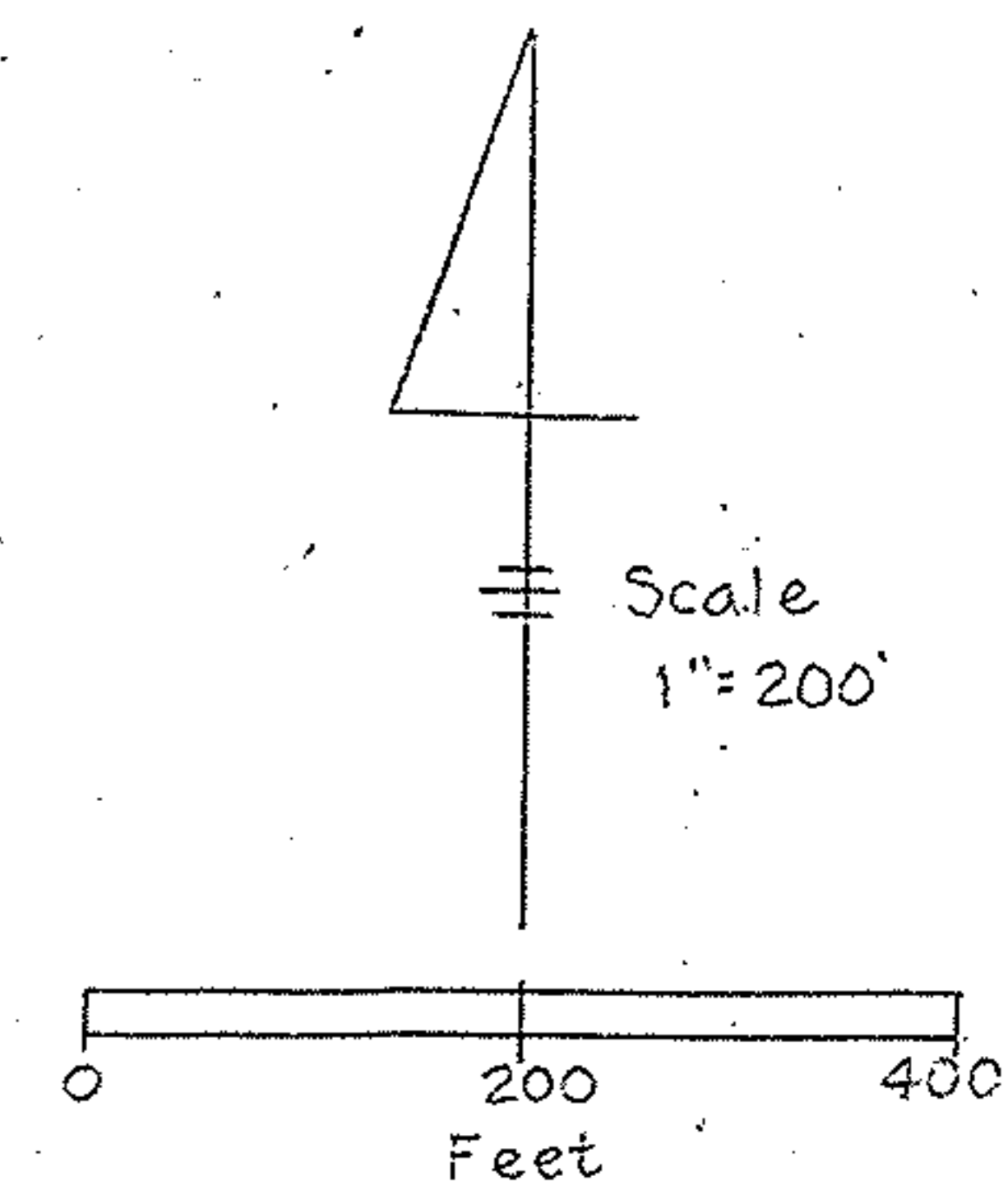


NORTH



BOBERLIN ROAD (60)

ALBRECHT ROAD (50)

P.r. . . . 05-00-051-000-005 05-00-070-000-013	
SPL	OF SUR
07-01447 A	OCT 2004
MAP PAGE	
05-00-051-B	05-00-070-A
SURVEYOR	
Charles Waryu	

Perm. Par.No. 05-00-051-000-005 14.6198A. in Orig. Lot No. 51
 " " " 05-00-070-000-012 20.9389A. in Orig. Lot No. 70
 Kenneth L. Jones, Thomas J. Jones, Shirley A. Law, Trust.
 Prior Inst. Ref. 2004-0986145

Charles P. Waryu October 31, 2004
 Charles P. Waryu, Registered Surveyor
 No. 5029

MAP OF SURVEY MADE
 Part of Original Lot No. 51 and 70,
 Amherst Township, Lorain Co., Ohio.
 For Shirley Law, et.al. October 2004