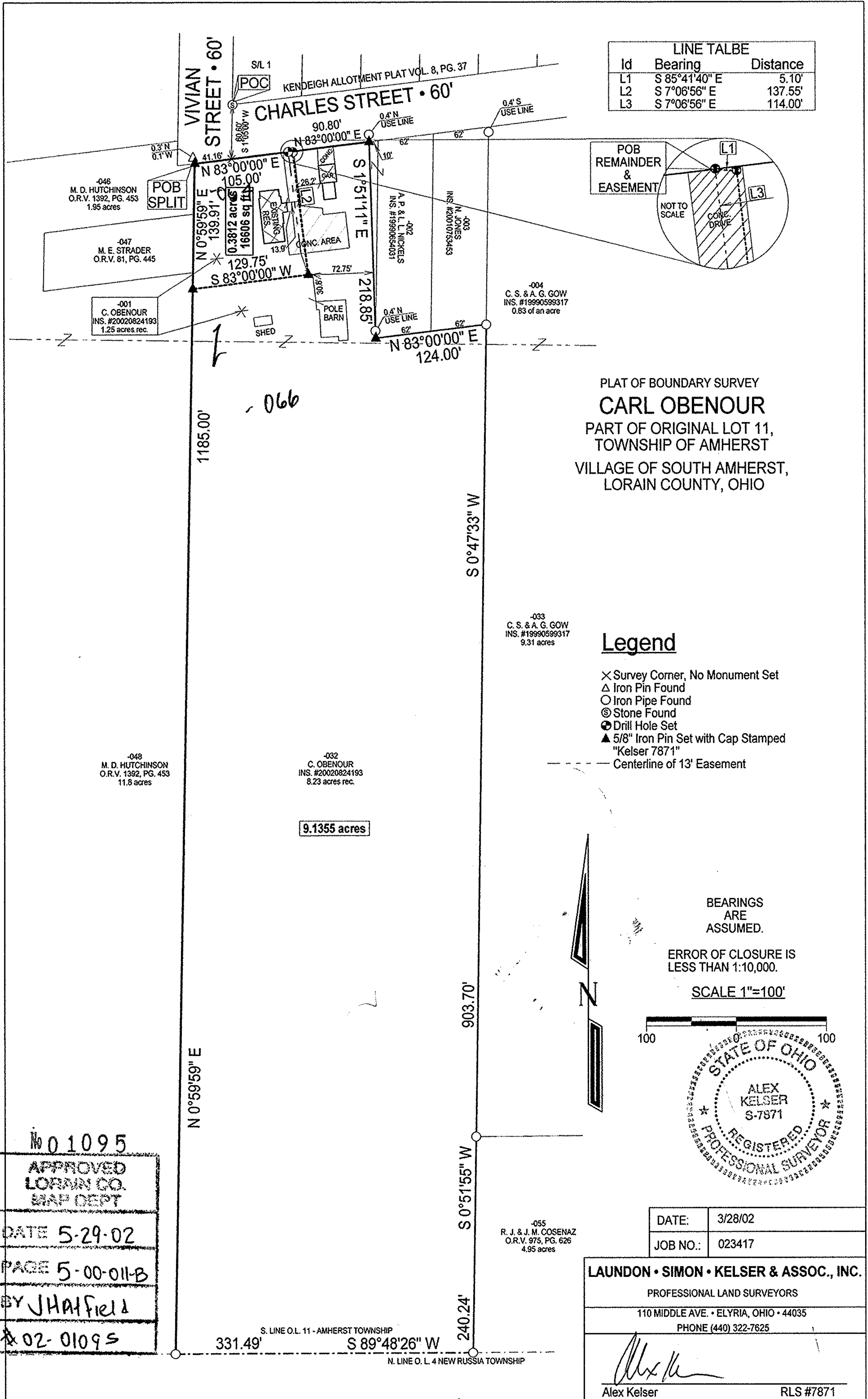
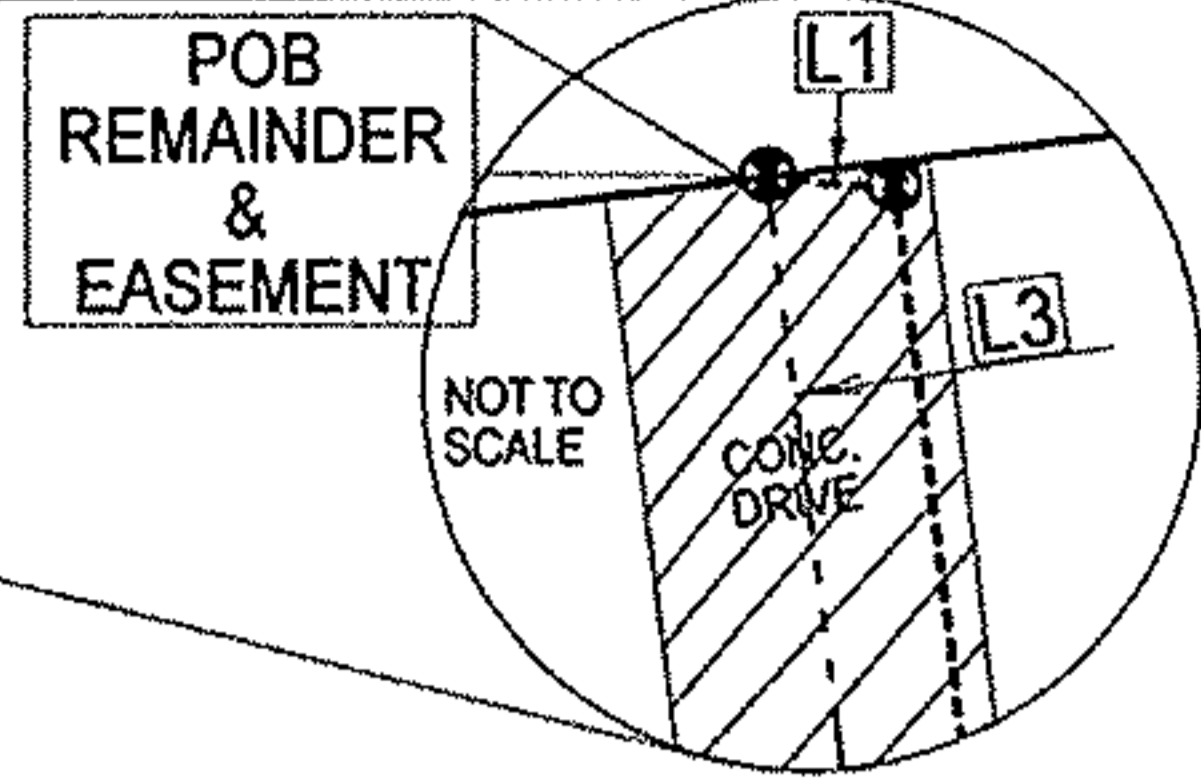


05-00-011-105-002, 003, 064, 066

| LINE TALBE | | |
|------------|---------------|----------|
| Id | Bearing | Distance |
| L1 | S 85°41'40" E | 5.10' |
| L2 | S 7°06'56" E | 137.55' |
| L3 | S 7°06'56" E | 114.00' |



PLAT OF BOUNDARY SURVEY
CARL OBENOUR
 PART OF ORIGINAL LOT 11,
 TOWNSHIP OF AMHERST
 VILLAGE OF SOUTH AMHERST,
 LORAIN COUNTY, OHIO

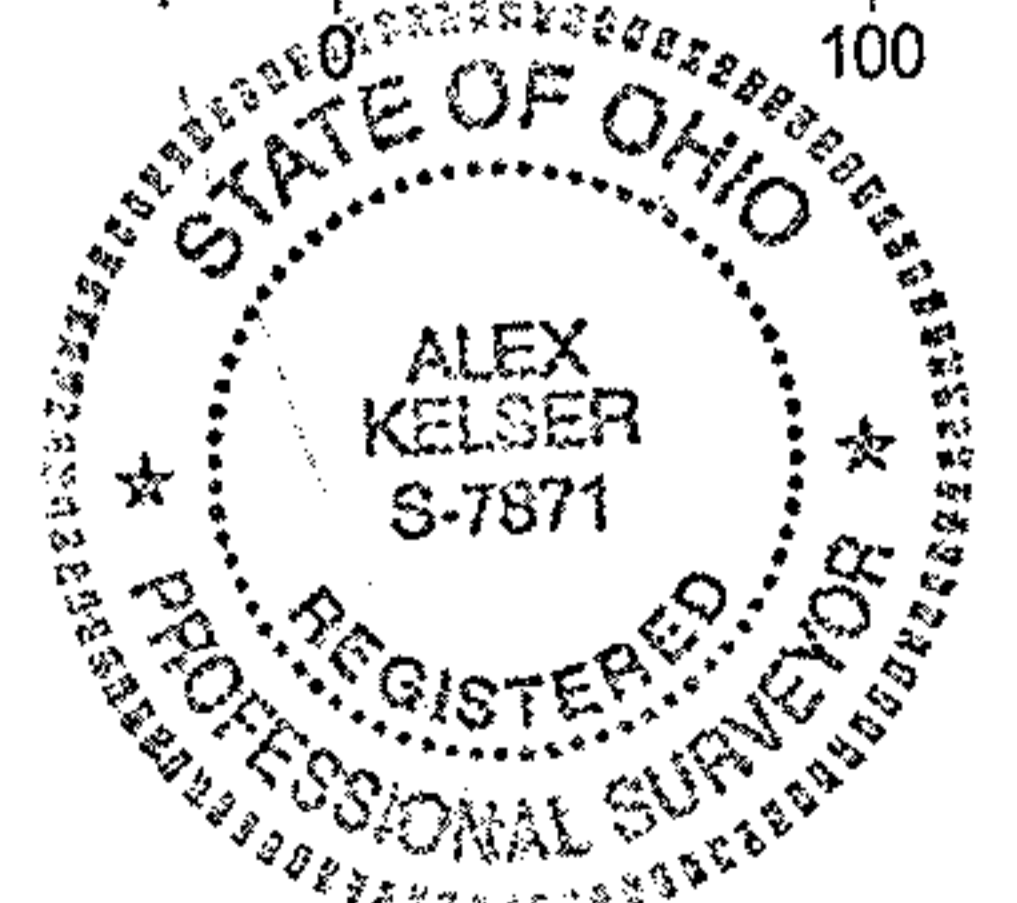
Legend

- × Survey Corner, No Monument Set
- △ Iron Pin Found
- Iron Pipe Found
- ⊙ Stone Found
- ⊕ Drill Hole Set
- ▲ 5/8" Iron Pin Set with Cap Stamped "Kelser 7871"
- Centerline of 13' Easement

BEARINGS ARE ASSUMED.

ERROR OF CLOSURE IS LESS THAN 1:10,000.

SCALE 1"=100'



DATE: 3/28/02
 JOB NO.: 023417

LAUNDON • SIMON • KELSER & ASSOC., INC.
 PROFESSIONAL LAND SURVEYORS
 110 MIDDLE AVE. • ELYRIA, OHIO • 44035
 PHONE (440) 322-7625

Alex Kelser
 Alex Kelser RLS #7871

No 01095
 APPROVED
 LORAIN CO.
 MAP DEPT
 DATE 5-29-02
 PAGE 5-00-011-B
 BY JHATfield
 02-01095

02-00-011-102-003, 002, 001, 000