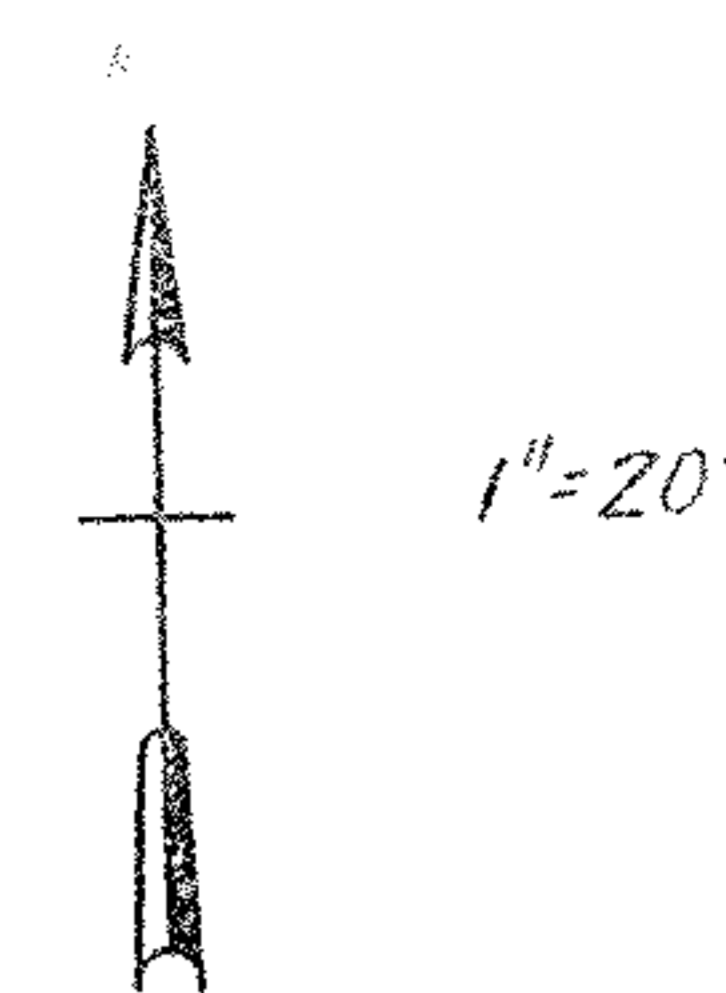
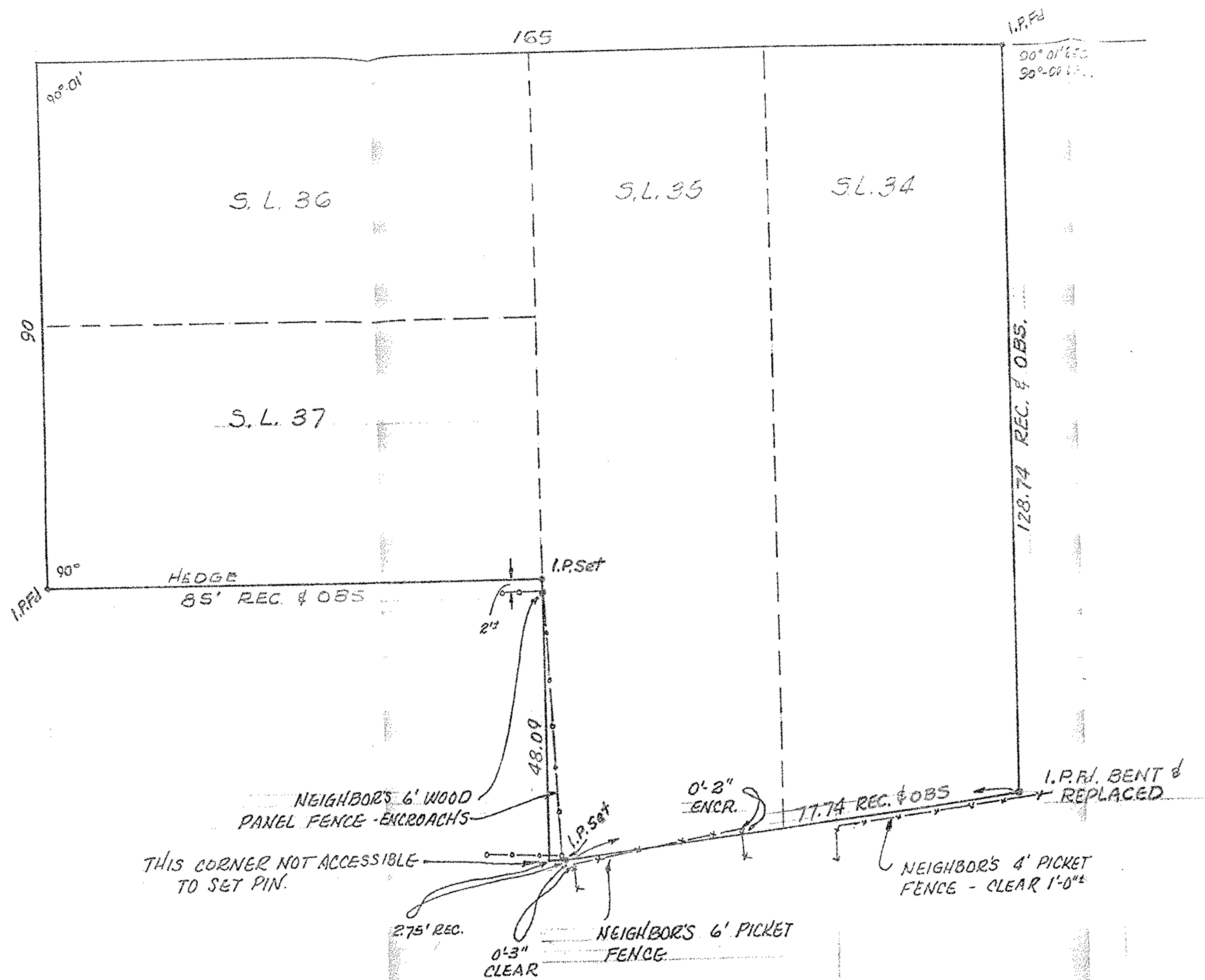


BEVERLY COURT 30'



OHIO STREET APARTMENTS INC  
VOL 851 PG. 559 7/8/63

MAP OF SURVEY FOR  
MARVIN EVENCHIK

SUBLOT NOS. 34, 35, 36 & 37 OF  
EASTLAWN ALLOTMENT - PLAT VOL 10 PG. 2  
PART OF ORIG. ELYRIA TWP. LOT 37 - EAST OF BLACK RIVER  
NOW IN CITY OF ELYRIA, OHIO

McGLINCHY & ASSOCIATES INC.  
REGISTERED SURVEYORS & ENGINEERS  
JAN 6, 1982 # 817101