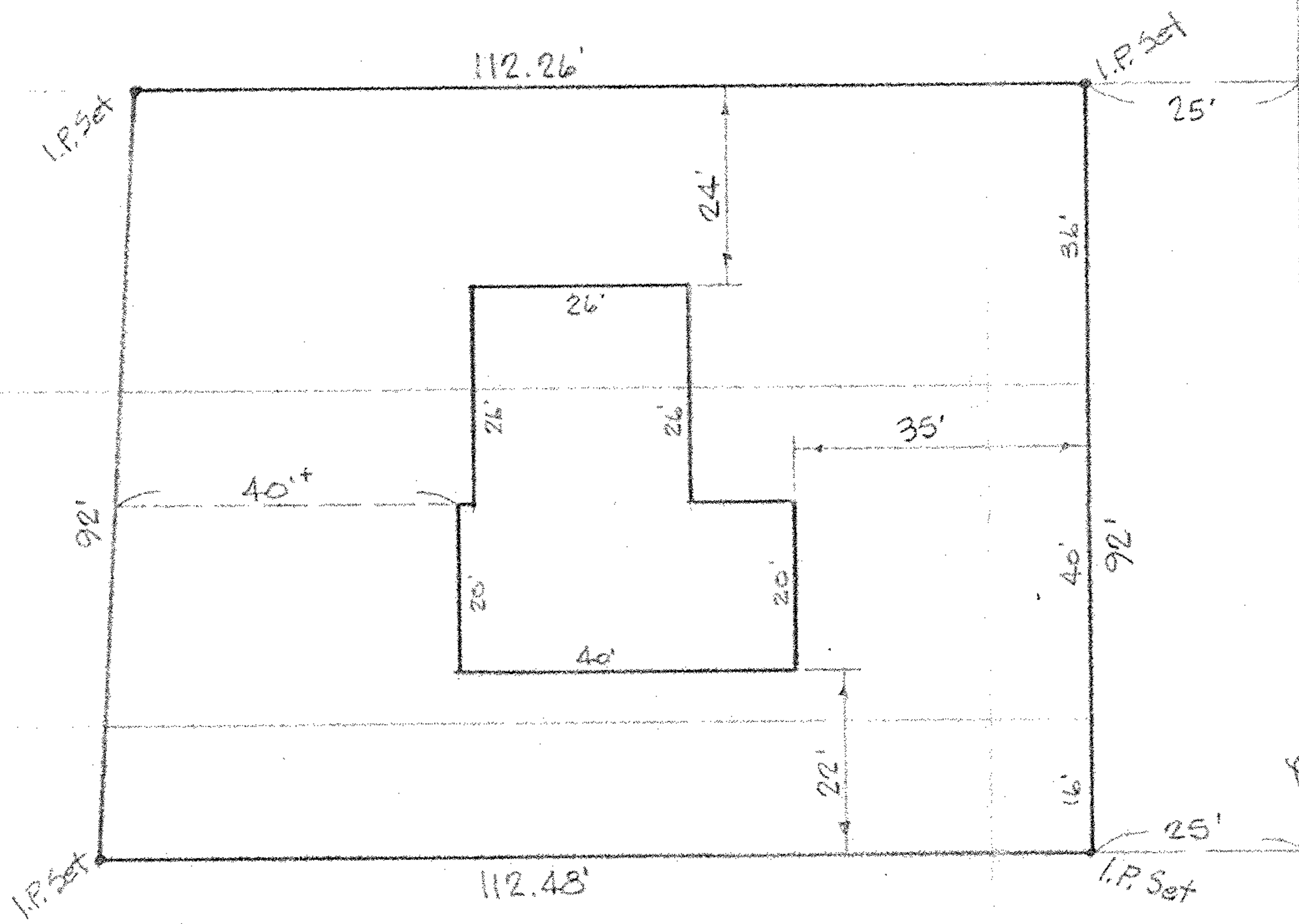
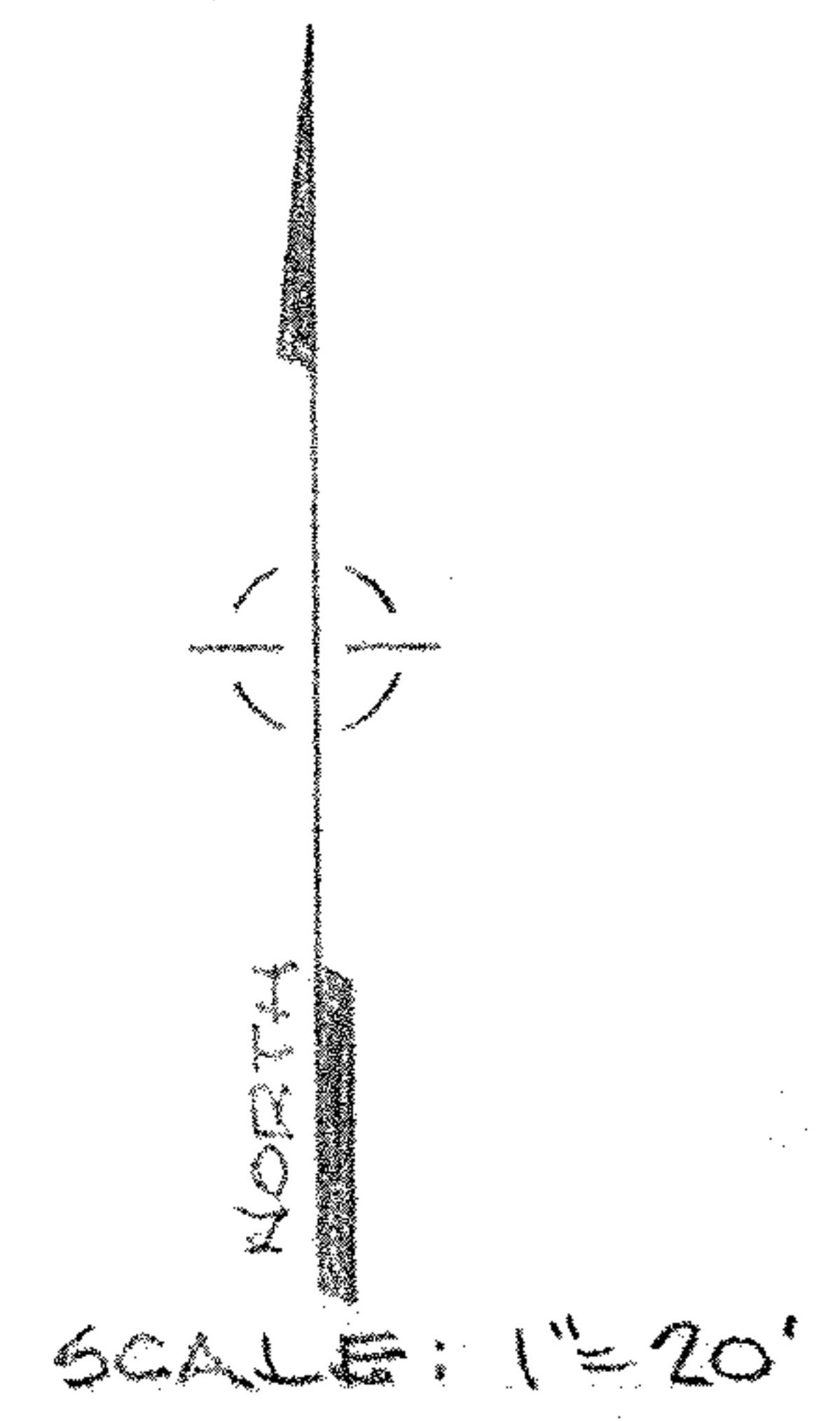


FERNDALE AVE. - 60'

PT. S/L 625  
S/L 626  
S/L 627



STARK ST. - 50'  
(VACATED)



### PLOT PLAN

PART of SUBLOT 625 & ALL of SUBLOTS 626 & 627 in  
 LAKE BREEZE ALLOTMENT - PLAT Vol. 10, Pg. 21  
 PART of ORIGINAL SHEFFIELD TWP. LOT No. 42  
 CITY of SHEFFIELD LAKE, LORAIN CO., OHIO

McCLINCHY and ASSOCIATES INC  
 PROFESSIONAL ENGINEER & SURVEYORS  
 ELTRIA OHIO  
 MAY, 1979 #795306