

Detroit Rd.

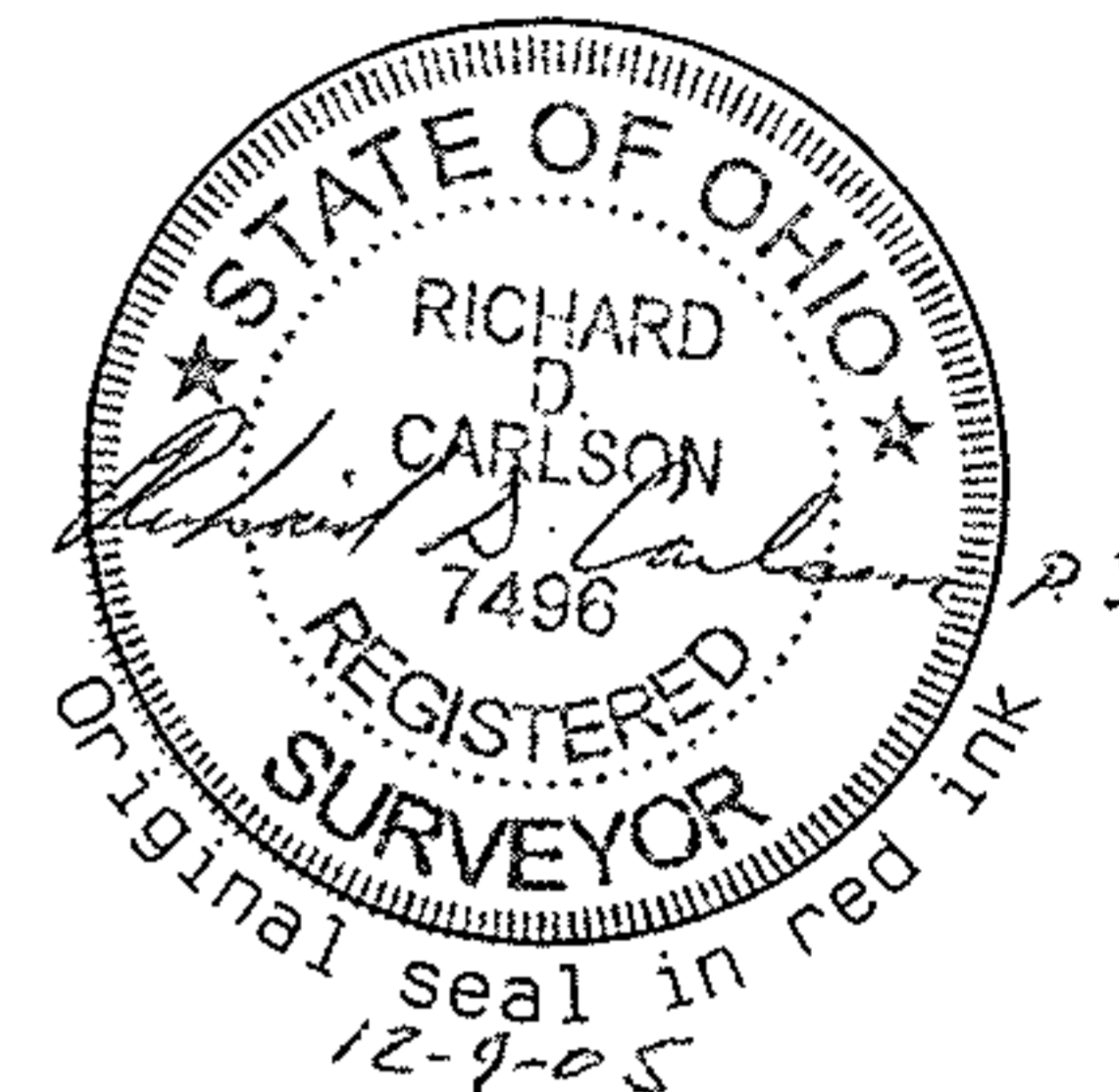
Long Rd. 60'

Plat of Survey for Howard & Linda Rink

City of Avon
Avon Township
Lorain Co.

Section 11
Ohio

Carlson Surveys
December 2005



No 02119

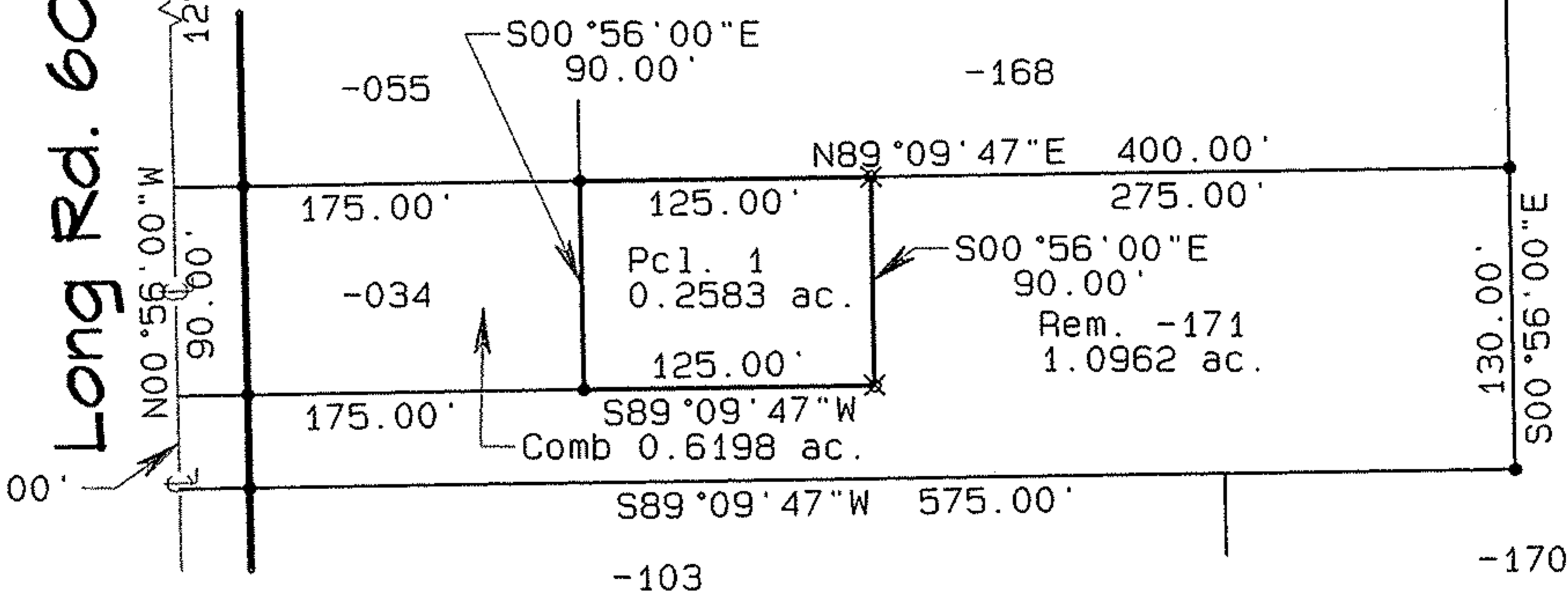
APPROVED
LORAIN CO.
MAP DEPT

DATE 3-21-06

PAGE 4-00-011-E

BY JHAFfield

#06-02119



- 055 Rink Family Trust O.R. 969 P. 64
- 103 Joseph & Marilyn Misencik Doc. 20010729474
- 168 Theodore M. & Marita M. Rink, Trustees Doc. 19980512038
- 170 Rink Family Limited Partnership O.R. 1164 P. 402

- ⊗ = Iron Pin Set
- = Iron Pin Found

GRAPHIC SCALE 1"=100'

