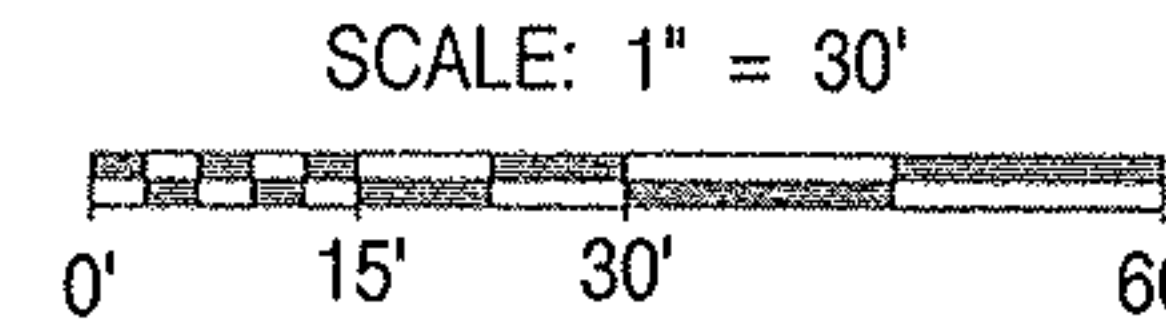
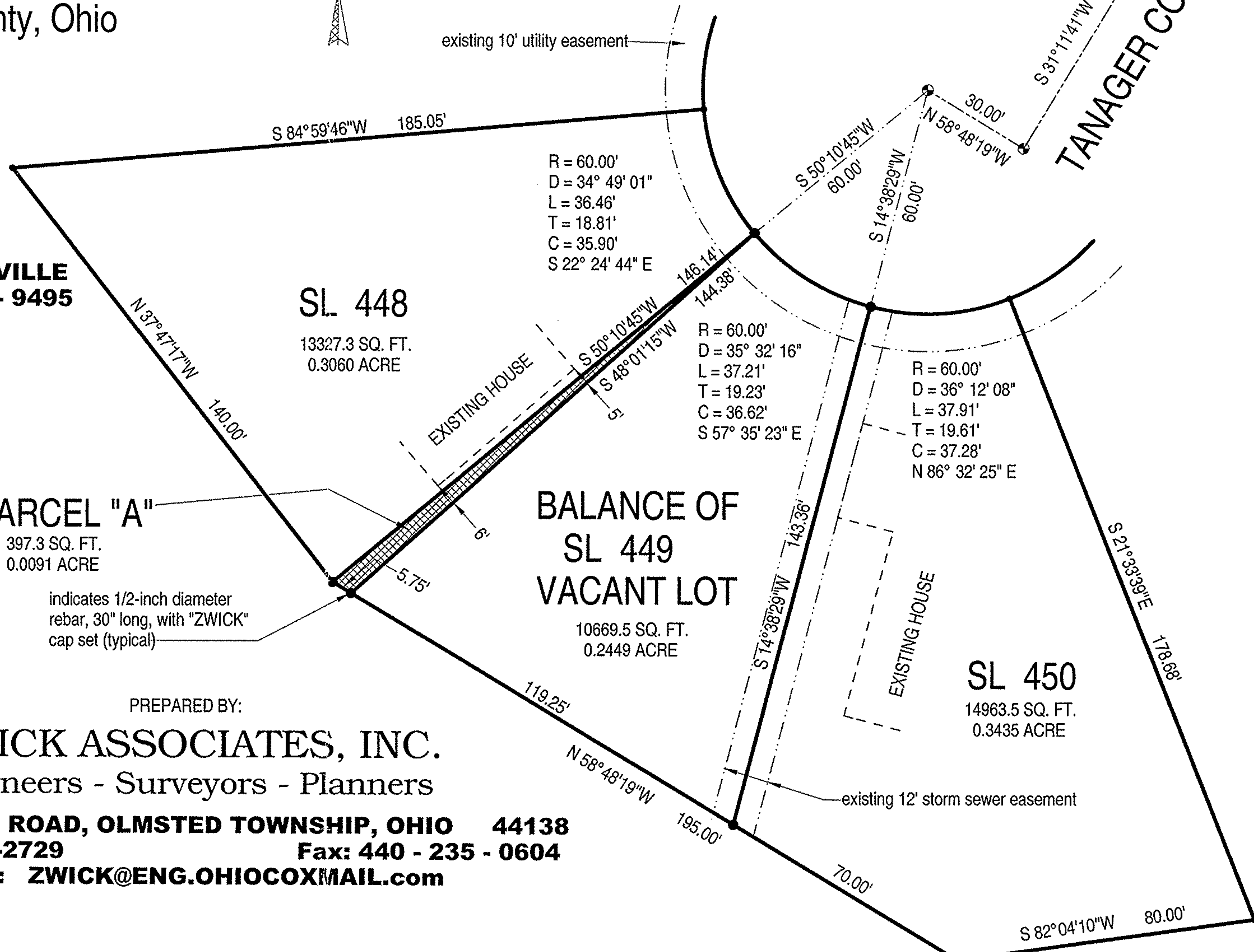


LOT SPLIT -- CREATING PARCEL "A"
 OUT OF SL 449 OF RIDGEFIELD HOMES
 SUBDIVISION No. 8 (Plat Vol. 77, Pg. 1)
 Part of Original Ridgeville Township Lot 12
 City of North Ridgeville, Lorain County, Ohio



MADE FOR AND AT THE INSTANCE OF:
RIDGEFIELD HOMES, INC.
8501 WOODBRIDGE COURT, NORTH RIDGEVILLE
OHIO 44039 Tel: 440 - 327 - 9495

No 02082
 APPROVED
 LORAIN CO.
 MAP DEPT
 DATE 1-18-06
 PAGE 7-00-012-B
 BY J. Watfield
 # 06-02082



PARCEL "A"
 397.3 SQ. FT.
 0.0091 ACRE

SL 448
 13327.3 SQ. FT.
 0.3060 ACRE

**BALANCE OF
 SL 449
 VACANT LOT**
 10669.5 SQ. FT.
 0.2449 ACRE

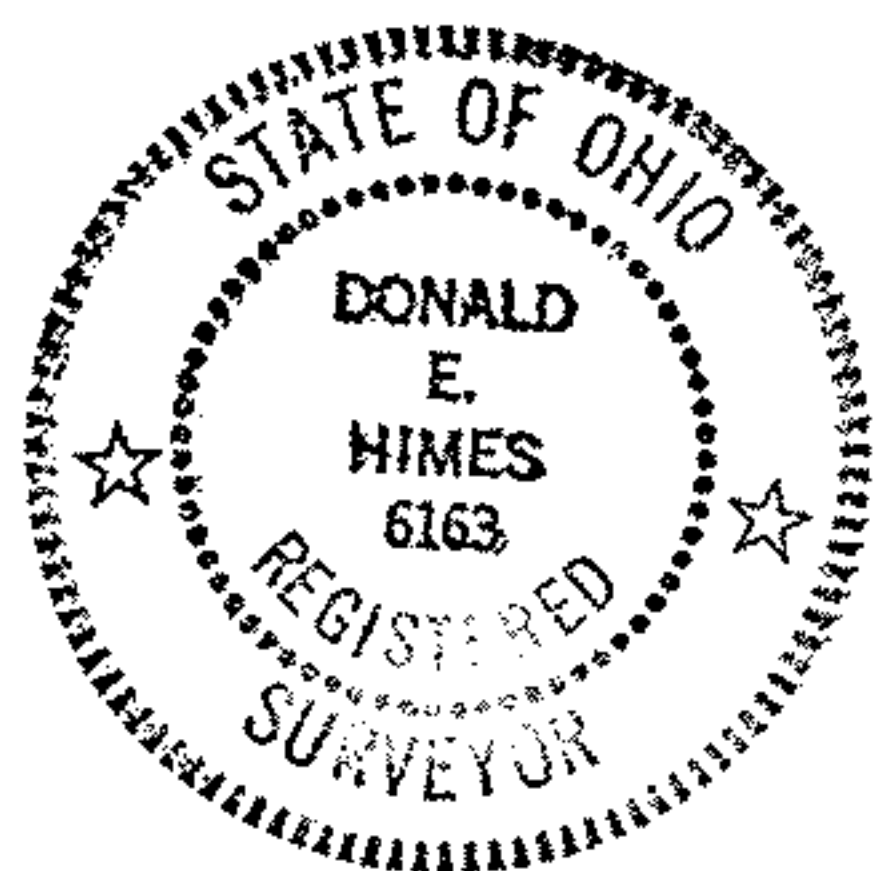
SL 450
 14963.5 SQ. FT.
 0.3435 ACRE

indicates 1/2-inch diameter
 rebar, 30" long, with "ZWICK"
 cap set (typical)

PREPARED BY:

ZWICK ASSOCIATES, INC.
 Engineers - Surveyors - Planners

8750 STEARNS ROAD, OLMSTED TOWNSHIP, OHIO 44138
 Tel: 440 - 235 - 2729 Fax: 440 - 235 - 0604
 EMAIL: ZWICK@ENG.OHIOCOXMAIL.com



Donald E. Himes

Donald E. Himes, P. S. 6163
 November 11, 2005